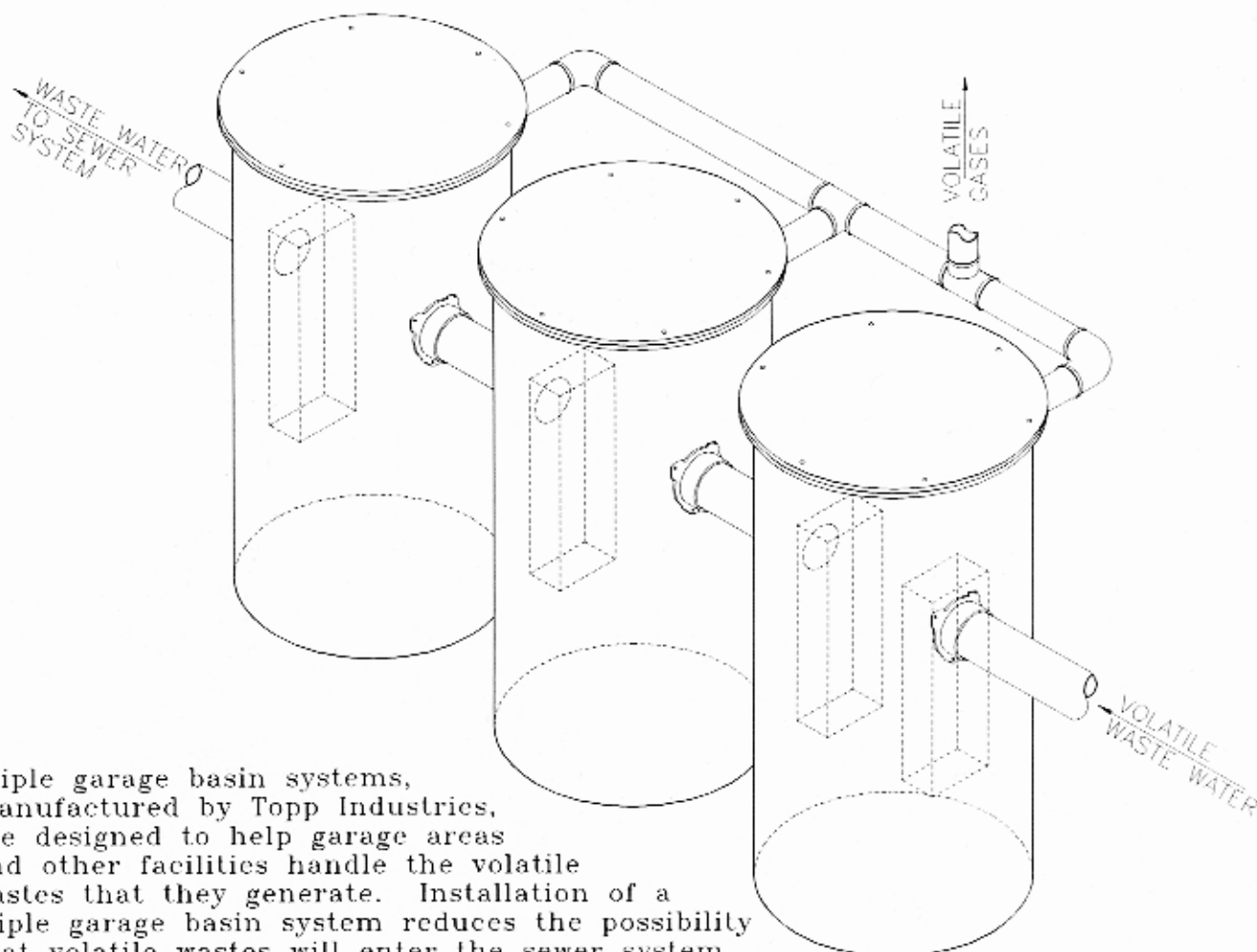




NO. 6-120

TRIPLE GARAGE BASIN SYSTEM



Triple garage basin systems, manufactured by Topp Industries, are designed to help garage areas and other facilities handle the volatile wastes that they generate. Installation of a triple garage basin system reduces the possibility that volatile wastes will enter the sewer system where they could potentially explode. The volatile wastes, which are lighter than water, are separated as they pass through the system of baffles and rise to the surface. At the surface, the volatile wastes can safely evaporate and the fumes can be vented into the atmosphere. The balance of the waste matter can then safely enter the sewer system.

Triple garage basin systems are typically provided with solid steel, gas-tight covers, a choice of 4" or 6" inlets/discharges and a choice of 2" or 3" vent connections. Basins are available with an inside diameter of 18, 24, 30, 36, 42, 48, 60, or 72 inches. Triple garage basin systems are available as three individual units for field connection or as a one piece unit fibreglassed together at the top flanges and/or fibreglassed together at the anti-floatation flanges.

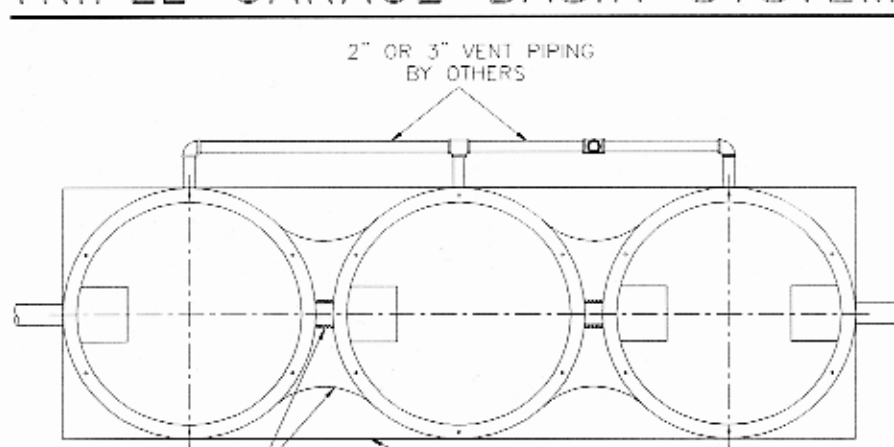


DESCRIPTION: TRIPLE GARAGE BASIN		
REFERENCE: 10089		
DRAWN BY: X.J.X.	CHECKED BY:	SUPERSEDES PRINTS PRIOR TO: 10/17/94
DATE: 10/17/94	REV: 0	NO.: 6-120
SCALE: NONE	DISK:	



NO: 6-130

TRIPLE GARAGE BASIN SYSTEM



VENT

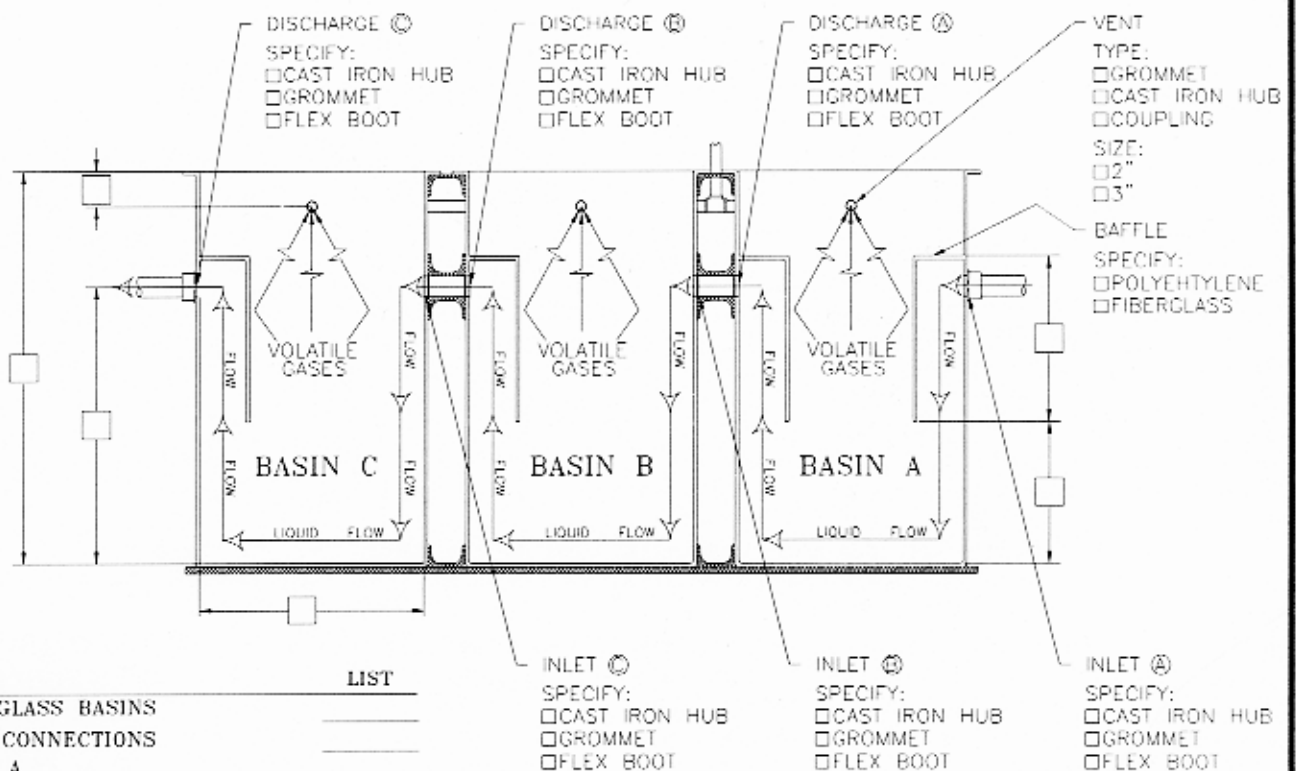
 N S

N



OPTION 1
GLASSED TOGETHER
TOP FLANGES
AND DISCHARGE
PIPES

OPTION 2 GLASSED
TOGETHER ASTM A36 STEEL
ANTI FLOATATION FLANGE



QTY

LIST

3	FIBERGLASS BASINS	_____
3	VENT CONNECTIONS	_____
1	INLET A	_____
1	DISCHARGE A	_____
1	INLET B	_____
1	DISCHARGE B	_____
1	INLET C	_____
1	DISCHARGE C	_____
4	DAFFLES	_____
3	SOLID STEEL, GAS-TIGHT COVER	_____
<input type="checkbox"/>	OPTION 1, GLASS FLANGES	_____
<input type="checkbox"/>	OPTION 2, GLASS ANTI-FLOATS	_____
	TOTAL	_____

PHONE: 1-800-354-4534
FAX: 1-219-223-6106

Topp

INDUSTRIES, INC.
P.O. BOX 420 HWY 25 NORTH
ROCHESTER, INDIANA 46975

DESCRIPTION

TRIPLE GARAGE BASIN

REFERENCE

10089

DRAWN BY

X.J.H.

CHECKED BY

SUPERSEDES PRINTS

PRIOR TO: 10/17/94

DATE:

10/17/94

REV:

0

NO.:

6-130

SCALE

NONE

DISK