

PUMP INFORMATION

Type: Sump Pump(s)
 Grinder Pump(s)
 Non-Clog Pump(s)

Model NO.: _____

Rating: _____ GPM _____ TDH

Motor: _____ HP _____ RPM

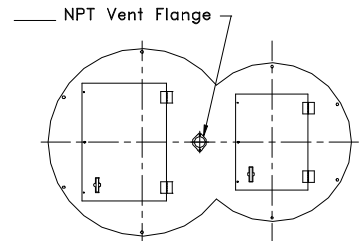
Elec: _____ PH _____ HZ _____ v

Elec: _____ FL AMPS

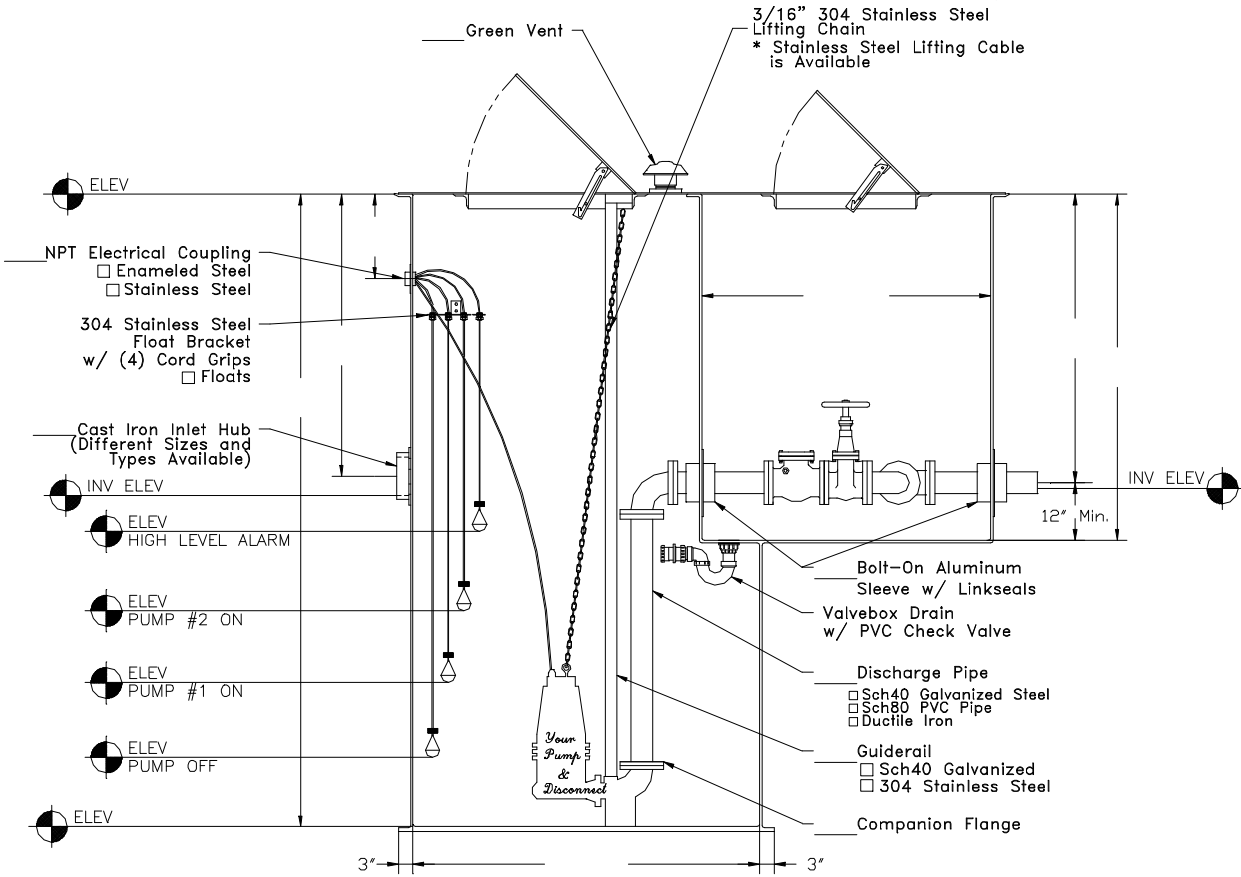
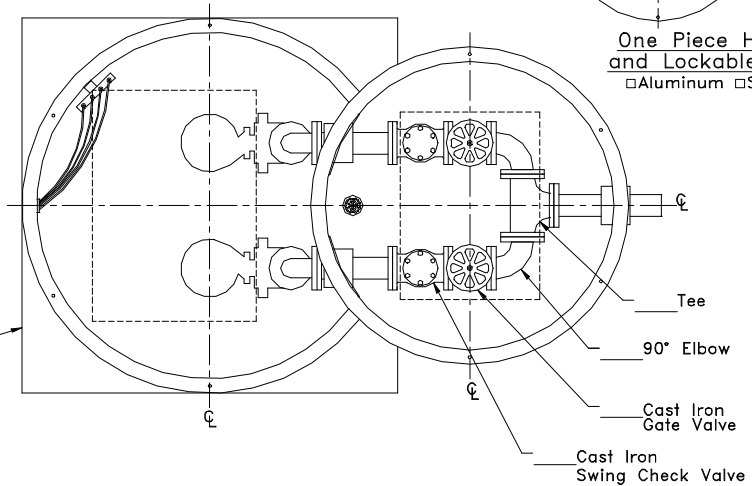
DISCHARGE PIPE

- Sch40 Galvanized
- Sch80 PVC
- Ductile Iron
- 3"
- 4"

- Anti-Floatation Flange
- Fiberglass Encapsulated ASTM A-36 Steel
- Round Fiberglass
- None



One Piece Hinged and Lockable Cover
 Aluminum Steel



- NPT Electrical Coupling
- Enameled Steel
- Stainless Steel

304 Stainless Steel Float Bracket w/ (4) Cord Grips Floats

Cast Iron Inlet Hub (Different Sizes and Types Available)

INV ELEV

ELEV HIGH LEVEL ALARM

ELEV PUMP #2 ON

ELEV PUMP #1 ON

ELEV PUMP OFF

ELEV

3/16" 304 Stainless Steel Lifting Chain
 * Stainless Steel Lifting Cable is Available

Bolt-On Aluminum Sleeve w/ Linkseals
 Valvebox Drain w/ PVC Check Valve

Discharge Pipe
 Sch40 Galvanized Steel
 Sch80 PVC Pipe
 Ductile Iron

Guiderail
 Sch40 Galvanized
 304 Stainless Steel

Companion Flange



Prefabricated Fiberglass Duplex Lift Station
 Reference: Flanged Duplex With Cylindrical Valvebox

Scale: None
 Drawn By: RM
 App'd By: .
 Date: 05/16/03

This print is and contains confidential proprietary information owned exclusively by TOPP INDUSTRIES, INC. It is furnished on a strictly confidential basis. This restriction includes, but is not limited to the condition that this print will not only be used as a record or to identify or inspect parts or for other information purposes and will not be used to manufacture or procure the manufacture of the items shown in this print by any other source than TOPP INDUSTRIES, INC.

Highway 25 North P.O. Box 420
 Rochester, IN 46975
 Phone: 800/354-4534 Fax: 574/223-6106

Supersedes Prints Prior To: 05/16/03

Reference No: 10471

Revisions	
Ⓐ	First Released.