

PUMP INFORMATION

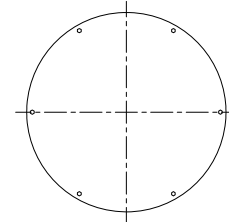
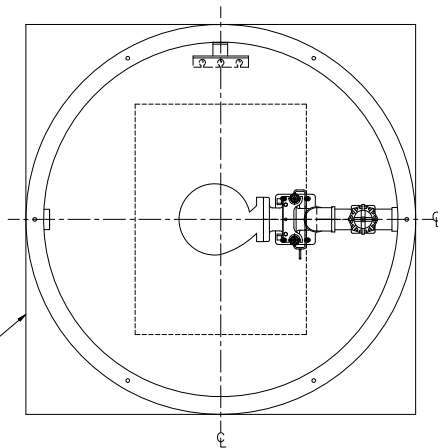
- Type: Sump Pump(s)
 Grinder Pump(s)
 Non-Clog Pump(s)

Model NO: _____
 Rating: _____ GPM _____ TDH
 Motor: _____ HP _____ RPM
 Elec: _____ PH _____ HZ _____ v
 Elec: _____ FL AMPS

DISCHARGE PIPE

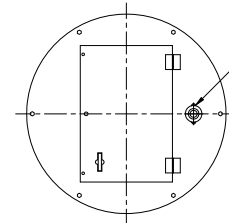
- _____ Discharge Pipe
 304 Stainless Steel
 Sch40 Galvanized Steel
 Sch80 PVC Pipe

- Anti-Floatation Flange
 Fiberglass Encapsulated
 ASTM A-36 Steel
 Round Fiberglass
 None



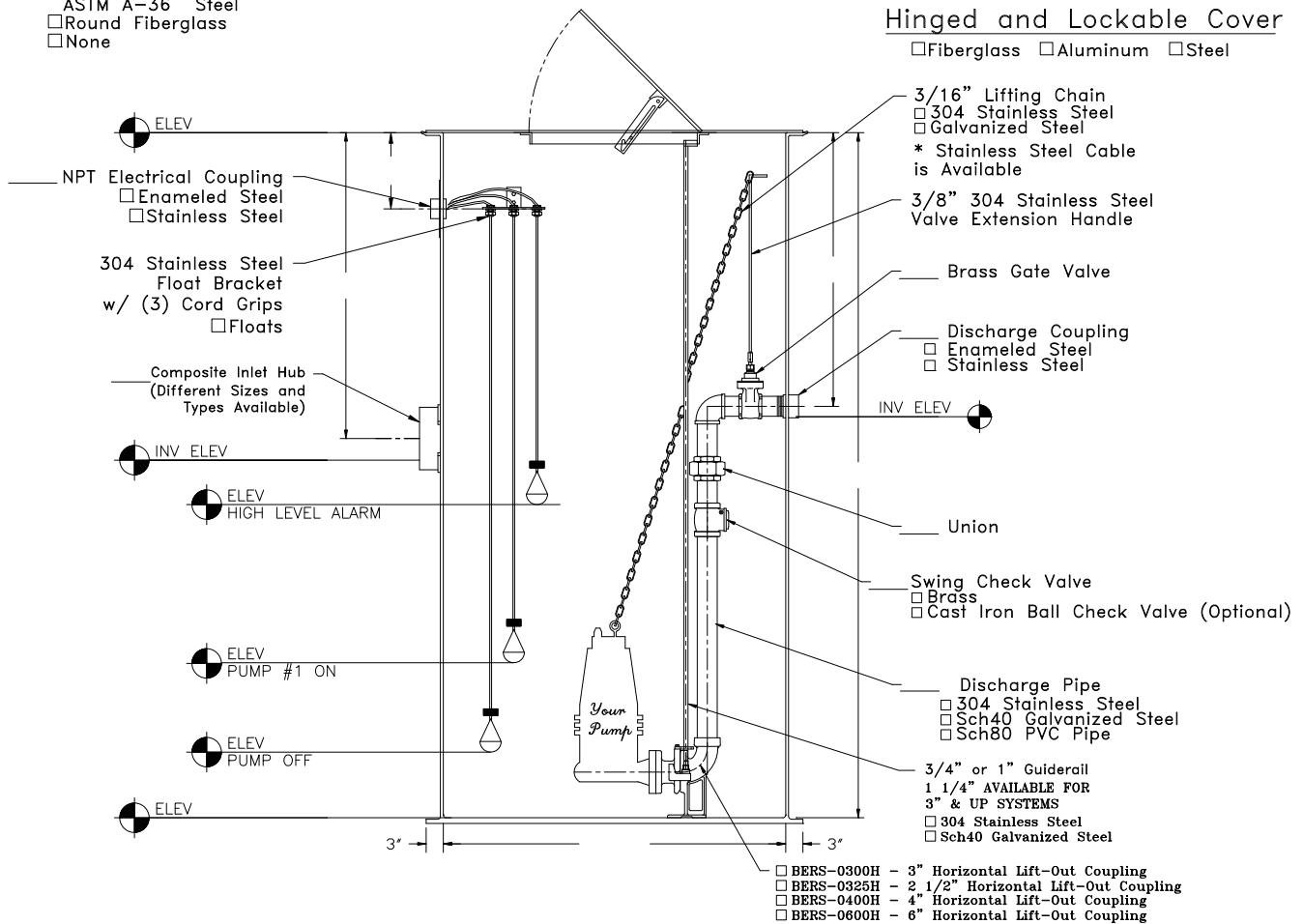
Solid Cover

- Fiberglass
 Steel



Hinged and Lockable Cover

- Fiberglass Aluminum Steel



ELEV

NPT Electrical Coupling
 Enameled Steel
 Stainless Steel

304 Stainless Steel
 Float Bracket
 w/ (3) Cord Grips
 Floats

Composite Inlet Hub
 (Different Sizes and
 Types Available)

INV ELEV

ELEV
 HIGH LEVEL ALARM

ELEV
 PUMP #1 ON

ELEV
 PUMP OFF

ELEV

3/16" Lifting Chain
 304 Stainless Steel
 Galvanized Steel
 * Stainless Steel Cable
 is Available

3/8" 304 Stainless Steel
 Valve Extension Handle

Brass Gate Valve

Discharge Coupling
 Enameled Steel
 Stainless Steel

INV ELEV

Union

Swing Check Valve
 Brass
 Cast Iron Ball Check Valve (Optional)

Discharge Pipe
 304 Stainless Steel
 Sch40 Galvanized Steel
 Sch80 PVC Pipe

3/4" or 1" Guiderail
 1 1/4" AVAILABLE FOR
 3" & UP SYSTEMS
 304 Stainless Steel
 Sch40 Galvanized Steel

- BERS-0300H - 3" Horizontal Lift-Out Coupling
- BERS-0325H - 2 1/2" Horizontal Lift-Out Coupling
- BERS-0400H - 4" Horizontal Lift-Out Coupling
- BERS-0600H - 6" Horizontal Lift-Out Coupling



Prefabricated
 Fiberglass Lift Station
 Simplex
 Side Discharge

Scale: None
 Drawn By: RM
 App'd By: .
 Date: 04/21/03

This print is and contains confidential proprietary information owned exclusively by TOPP INDUSTRIES, INC. It is furnished on a strictly confidential basis. This restriction includes, but is not limited to the condition that this print will not be used as a record or to identify or inspect parts or for other information purposes and will not be used to manufacture or procure the manufacture of the items shown in this print by any other source than TOPP INDUSTRIES, INC.

Highway 25 North P.O. Box 420
 Rochester, IN 46975
 Phone: 800/354-4534 Fax: 574/223-6106

Supersedes Prints
 Prior To: 12/30/08

Reference
 No: 16761

Revisions

△	First Released.