

PUMP INFORMATION

Model NO: _____

Rating: _____ GPM _____ TDH

Motor: _____ HP _____ RPM

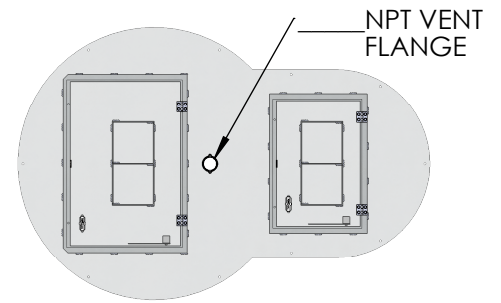
Elec: _____ PH _____ HZ _____ v

Elec: _____ FL AMPS

Rail System: _____

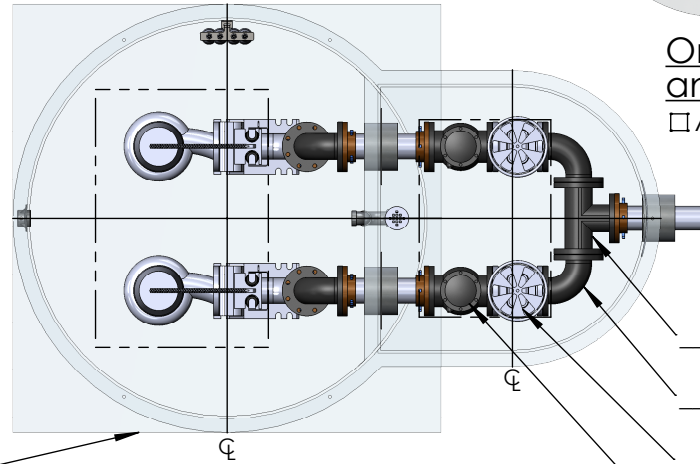
DISCHARGE PIPE

- 3"
- 4"



One Piece Hinged and Lockable Cover

- Aluminum
- Steel



Anti-Floatation Flange
Fiberglass Encapsulated
ASTM A-36 Steel

3/16" Lifting Chain
304 Stainless Steel

Green Vent

ELEV

- NPT Electrical Coupling
- Composite
- Stainless Steel

304 Stainless Steel
Float Bracket
w/ (4) Cord Grips
 Floats

Composite Inlet Hub
(Different Sizes and
Types Available)

INV ELEV

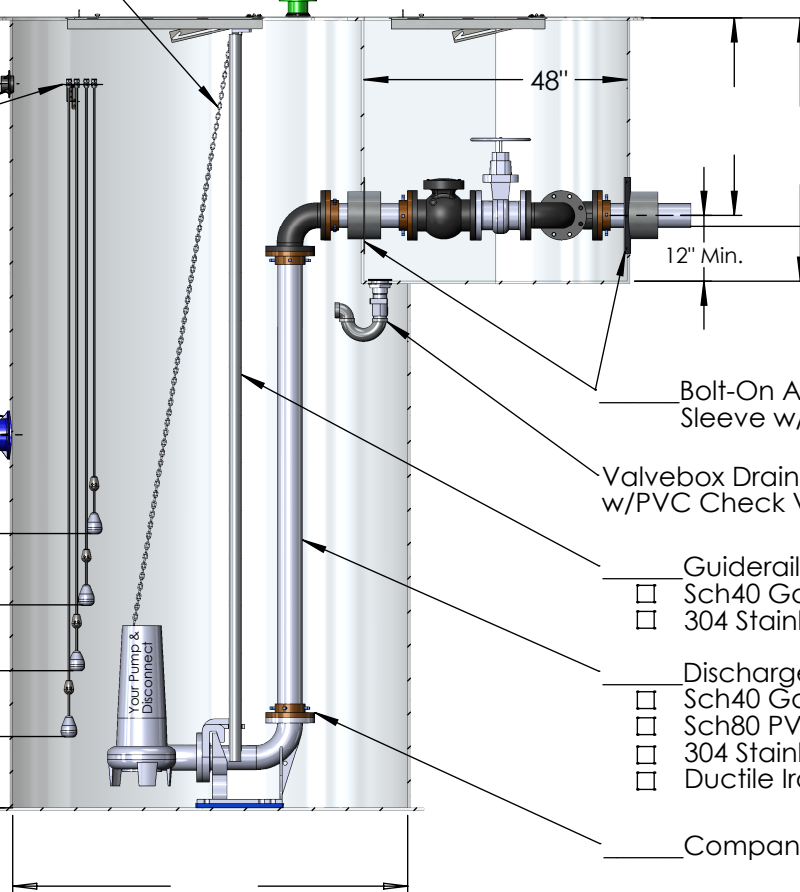
ELEV
HIGH LEVEL ALARM

ELEV
PUMP #2 ON

ELEV
PUMP #1 ON

ELEV
PUMP OFF

ELEV



Bolt-On Aluminum
Sleeve w/Linkseals

Valvebox Drain
w/PVC Check Valve

- Guides
- Sch40 Galvanized Steel
- 304 Stainless Steel

- Discharge Pipe
- Sch40 Galvanized Steel
- Sch80 PVC Pipe
- 304 Stainless Steel
- Ductile Iron Pipe

Companion Flange

