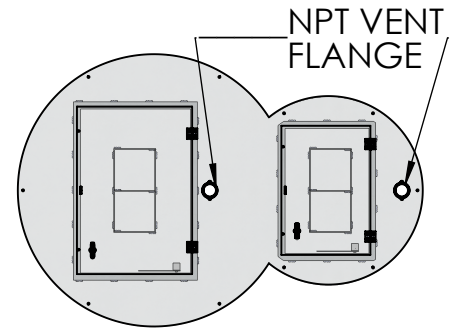


**PUMP INFORMATION**

Model NO: \_\_\_\_\_  
 Rating: \_\_\_\_\_ GPM \_\_\_\_\_ TDH  
 Motor: \_\_\_\_\_ HP \_\_\_\_\_ RPM  
 Elec: \_\_\_\_\_ PH \_\_\_\_\_ HZ \_\_\_\_\_ v  
 Elec: \_\_\_\_\_ FL AMPS

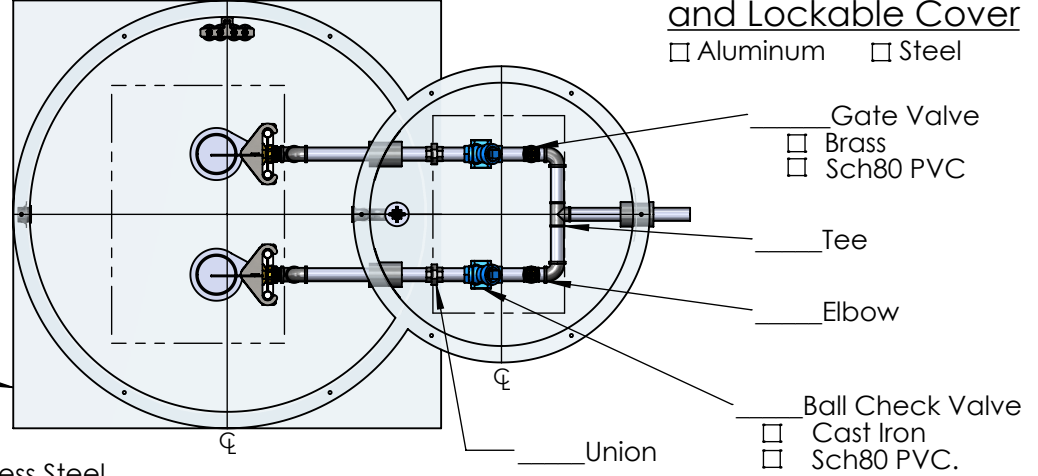


**One Piece Hinged and Lockable Cover**

Aluminum  Steel

**DISCHARGE PIPE**

1-1/4"  
 2"



Anti-Floatation Flange  
 Fiberglass Encapsulated  
 ASTM A-36 Steel

3/16" 304 Stainless Steel  
 Lifting Cable  
 \* Stainless Steel Chain  
 is Available

