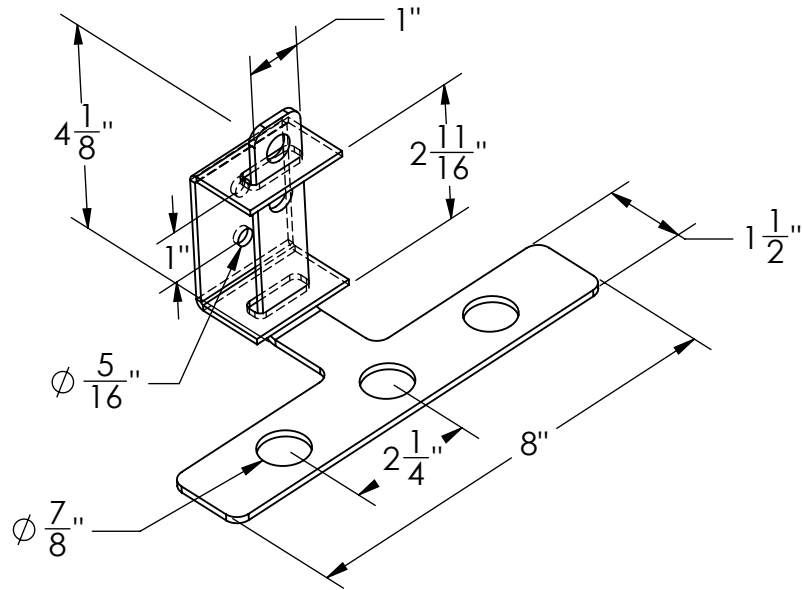
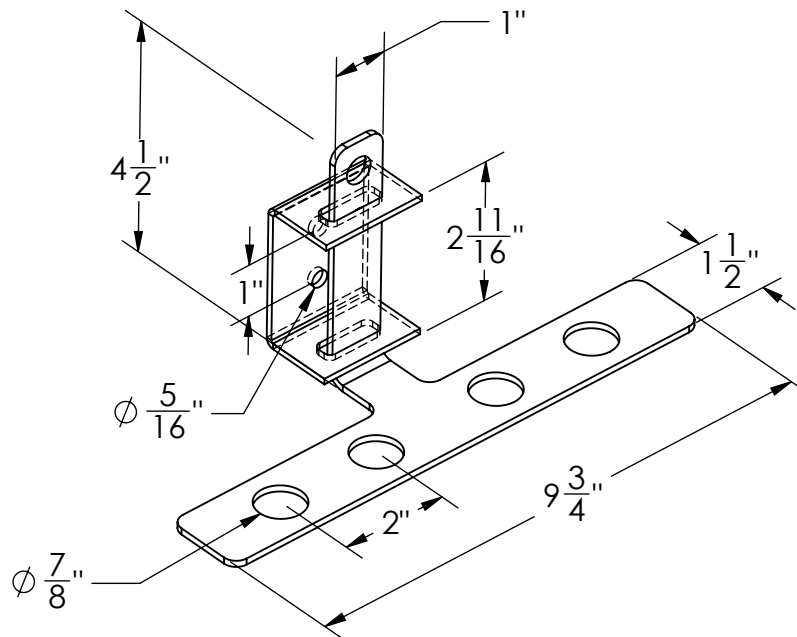


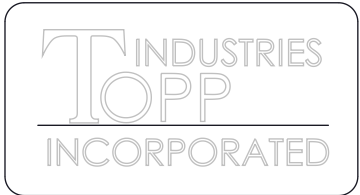
FLOAT BRACKETS



SSFB3-12 - STAINLESS STEEL FLOAT BRACKET W/ (3) 1/2" CORD GRIPS
(W/ BRACKET CLIP)



SSFB4 - STAINLESS STEEL FLOAT BRACKET W/ (4) 1/2" CORD GRIPS
(W/ BRACKET CLIP)

CUSTOMER:		MR		PO:	SO:	
PUMP & DISCONNECT:				MATERIAL:		
PROPRIETARY AND CONFIDENTIAL <small>THE INFORMATION CONTAINED IN THIS DRAWING IS THE SOLE PROPERTY OF <INSERT COMPANY NAME HERE>. ANY REPRODUCTION IN PART OR AS A WHOLE WITHOUT THE WRITTEN PERMISSION OF <INSERT COMPANY NAME HERE> IS PROHIBITED.</small>		DRAWN MR	DATE 03/28/2018	DIMENSIONS ARE IN INCHES TOLERANCES: FRACTIONAL ± ANGULAR: MACH ± BEND ± TWO PLACE DECIMAL ± THREE PLACE DECIMAL ±	TOPP INDUSTRIES 420 N. ST. RD. 25 N. ROCHESTER, IN 46975 PH: (574) 223-3681 FA: (574) 223-6106	
		ENG APPR.		MATERIAL: 304 SS	REF: 14933	DWG. NO. FLOAT BRACKETS 01 WEIGHT: SHEET 1 OF 1