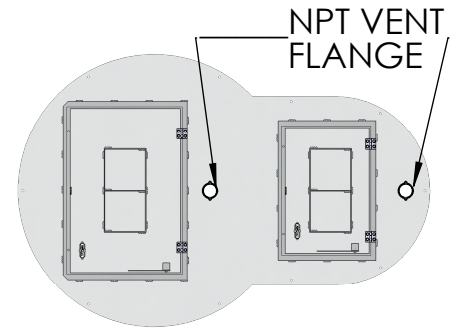


**PUMP INFORMATION**

Model NO: \_\_\_\_\_  
 Rating: \_\_\_\_\_ GPM \_\_\_\_\_ TDH  
 Motor: \_\_\_\_\_ HP \_\_\_\_\_ RPM  
 Elec: \_\_\_\_\_ PH \_\_\_\_\_ HZ \_\_\_\_\_ v  
 Elec: \_\_\_\_\_ FL AMPS

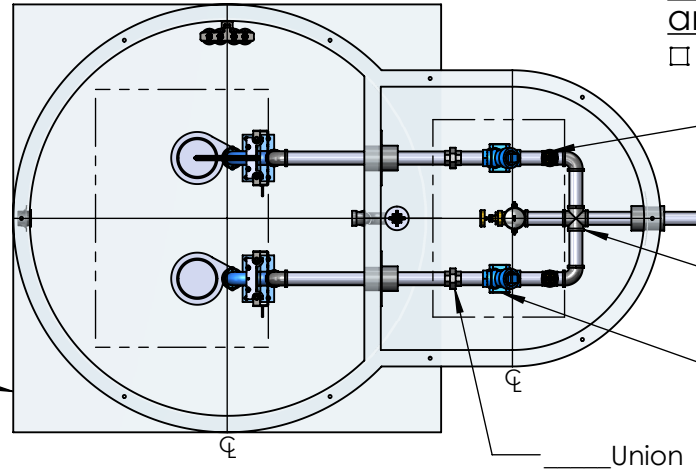


**One Piece Hinged and Lockable Cover**

Aluminum  Steel

**DISCHARGE PIPE**

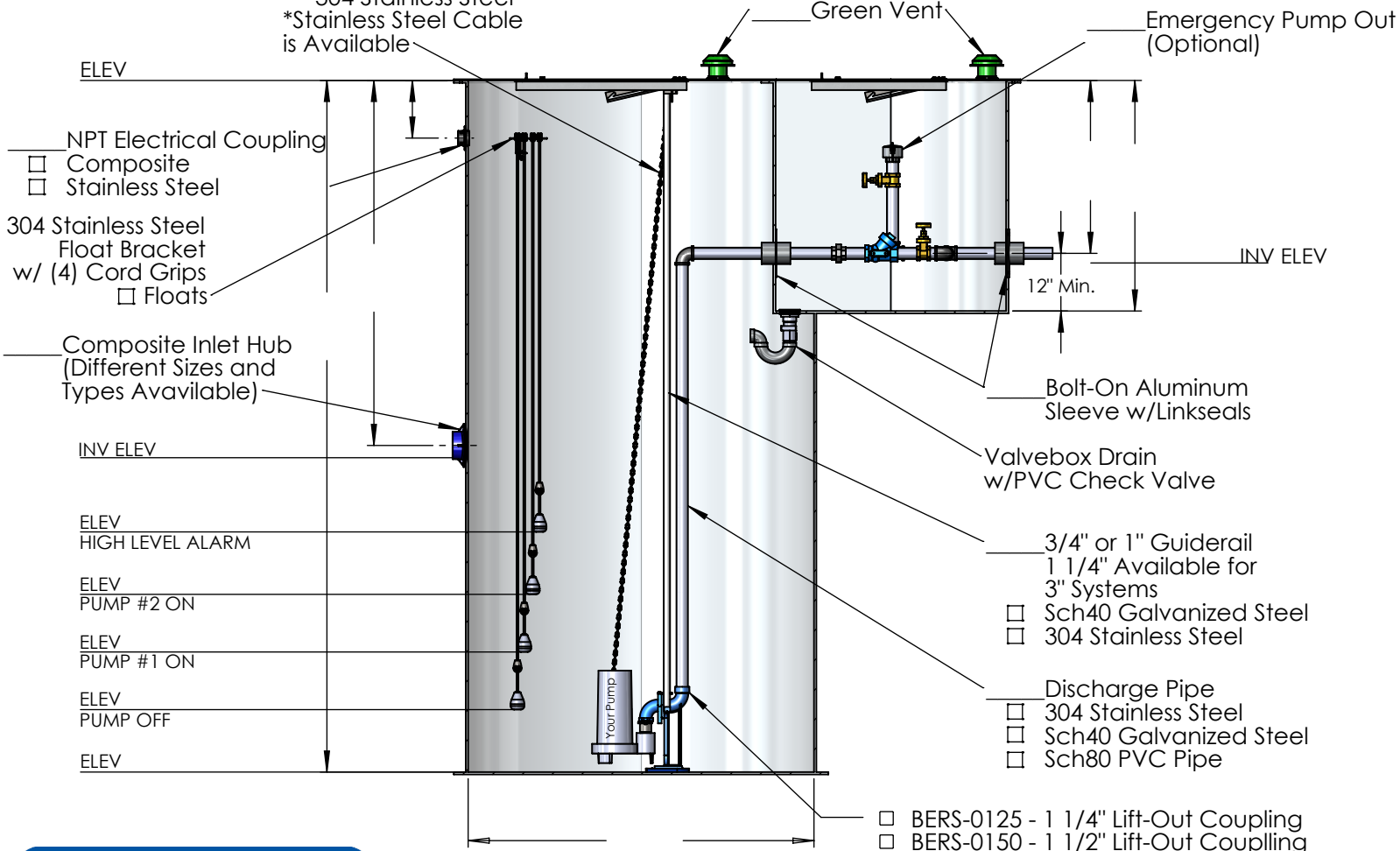
- 1-1/4"
- 1-1/2"
- 2"
- 3"



- Gate Valve
- Brass
- Sch80 PVC
- Tee or Cross
- Ball Check Valve
- Cast Iron
- Sch80 PVC
- Union

Anti-Floatation Flange  
 Fiberglass Encapsulated  
 ASTM A-36 Steel

3/16" Lifting Chain  
 304 Stainless Steel  
 \*Stainless Steel Cable  
 is Available



NPT Electrical Coupling  
 Composite  
 Stainless Steel

304 Stainless Steel  
 Float Bracket  
 w/ (4) Cord Grips  
 Floats

Composite Inlet Hub  
 (Different Sizes and  
 Types Available)

INV ELEV

ELEV  
 HIGH LEVEL ALARM

ELEV  
 PUMP #2 ON

ELEV  
 PUMP #1 ON

ELEV  
 PUMP OFF

ELEV

Green Vent  
 Emergency Pump Out  
 (Optional)

INV ELEV

12" Min.

Bolt-On Aluminum  
 Sleeve w/Linkseals

Valvebox Drain  
 w/PVC Check Valve

3/4" or 1" Guiderail  
 1 1/4" Available for  
 3" Systems  
 Sch40 Galvanized Steel  
 304 Stainless Steel

Discharge Pipe  
 304 Stainless Steel  
 Sch40 Galvanized Steel  
 Sch80 PVC Pipe

- BERS-0125 - 1 1/4" Lift-Out Coupling
- BERS-0150 - 1 1/2" Lift-Out Coupling
- BERS-0200 - 2" Lift-Out Coupling
- BERS-0320 - 3" Lift-Out Coupling for 2" Pump
- BERS-0300 - 3" Lift-Out Coupling

