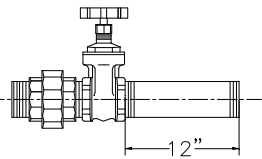
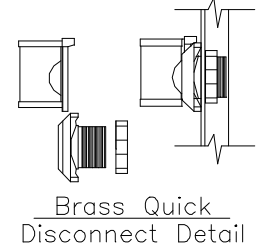
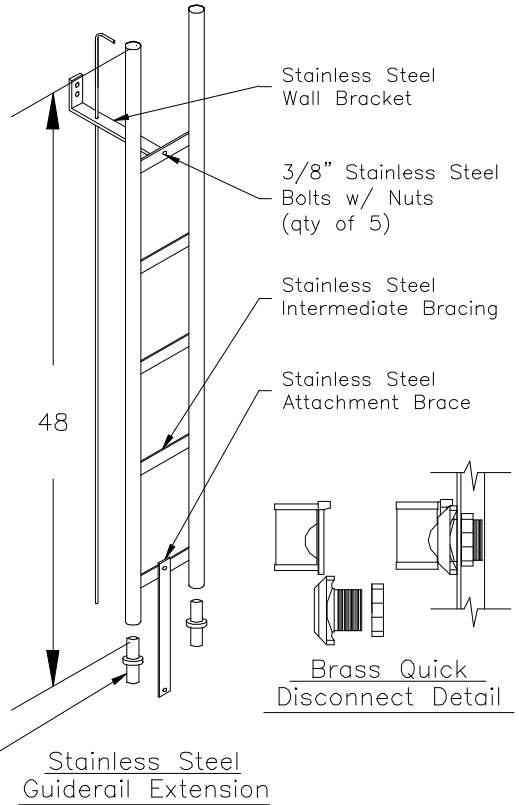
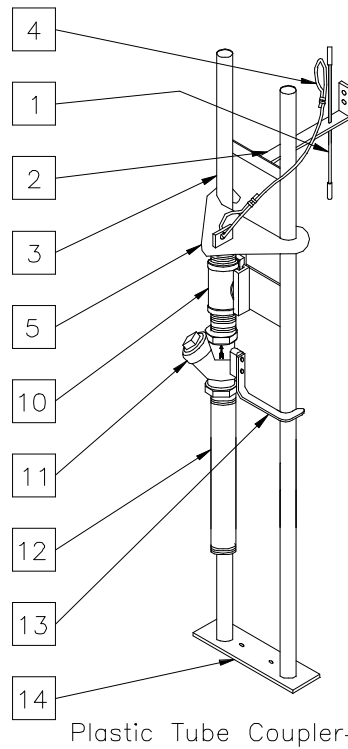
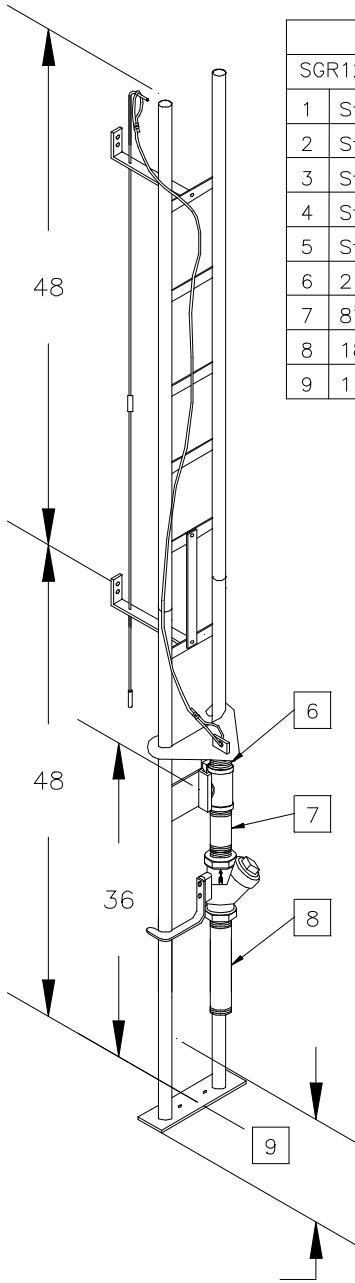
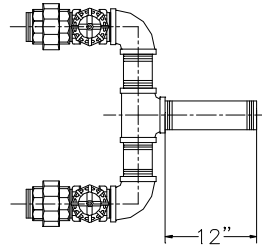


Parts Listing for SGR125-48/48 & SGR200-48/48

SGR125 (1 1/4" NPT Discharge)				SGR200 (2" NPT Discharge)	
1	Stainless Steel Extension Handle		10	Brass Quick Disconnect	
2	Stainless Steel Wall Bracket		11	Cast Iron Ball Check Valve	
3	Stainless Steel Guiderail		12	Sch40 Galvanized Discharge Pipe	
4	Stainless Steel Lifting Cable		13	Stainless Steel Lower Stand-off Bracket	
5	Stainless Steel Upper Stand-Off Bracket		14	Stainless Steel Base Plate	
6	2 1/4" Pipe Nipple	SGR125	2 1/4" Pipe Nipple	SGR200	
7	8" Pipe Nipple	SGR125	5" Pipe Nipple	SGR200	
8	18" Pipe Nipple	SGR125	18" Pipe Nipple	SGR200	
9	11"	SGR125	11"	SGR200	



SIMPLEX
MODEL NO.:
SD200G - 2"
SD125G - 1 1/4"



DUPLEX
MODEL NO.:
DD200G - 2"
DD125G - 1 1/4"



TOPP INDUSTRIES STANDARD SGR RAIL SYSTEM	Scale: None Drawn By: <i>KM</i> App'd By: . Date: 07/15/03	<small>This print is and contains confidential proprietary information owned exclusively by TOPP INDUSTRIES, INC. It is furnished on a strictly confidential basis. This restriction includes, but is not limited to the condition that this print will not only be used as a record or to identify or inspect parts or for other information purposes and will not be used to manufacture or procure the manufacture of the items shown in this print by any other source than TOPP INDUSTRIES, INC.</small>
Reference:	Supersedes Prints Prior To: 07/15/03	
Highway 25 North P.O. Box 420 Rochester, IN 46975 Phone: 800/354-4534 Fax: 574/223-6106	Reference No: 12616	

Revisions	
Ⓐ	First Released.