

**PUMP INFORMATION**

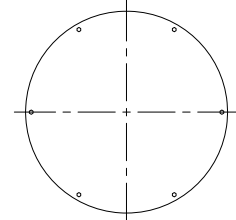
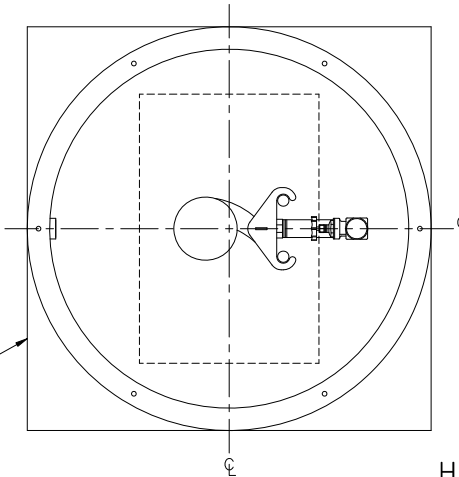
- Type:  Sump Pump(s)  
 Grinder Pump(s)  
 Non-Clog Pump(s)

Model NO: \_\_\_\_\_  
 Rating: \_\_\_\_\_ GPM \_\_\_\_\_ TDH  
 Motor: \_\_\_\_\_ HP \_\_\_\_\_ RPM  
 Elec: \_\_\_\_\_ PH \_\_\_\_\_ HZ \_\_\_\_\_  
 Elec: \_\_\_\_\_ FL AMPS

**DISCHARGE PIPE**

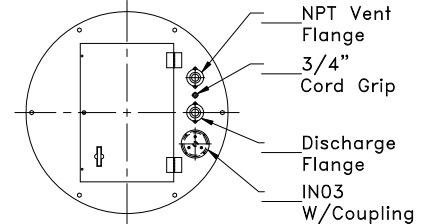
- 304 Stainless Steel  
 Sch40 Galvanized Steel  
 Sch80 PVC Pipe  
 1 1/4"  
 2"

- Anti-Floatation Flange  
 Fiberglass Encapsulated  
 ASTM A-36 Steel  
 Round Fiberglass  
 None



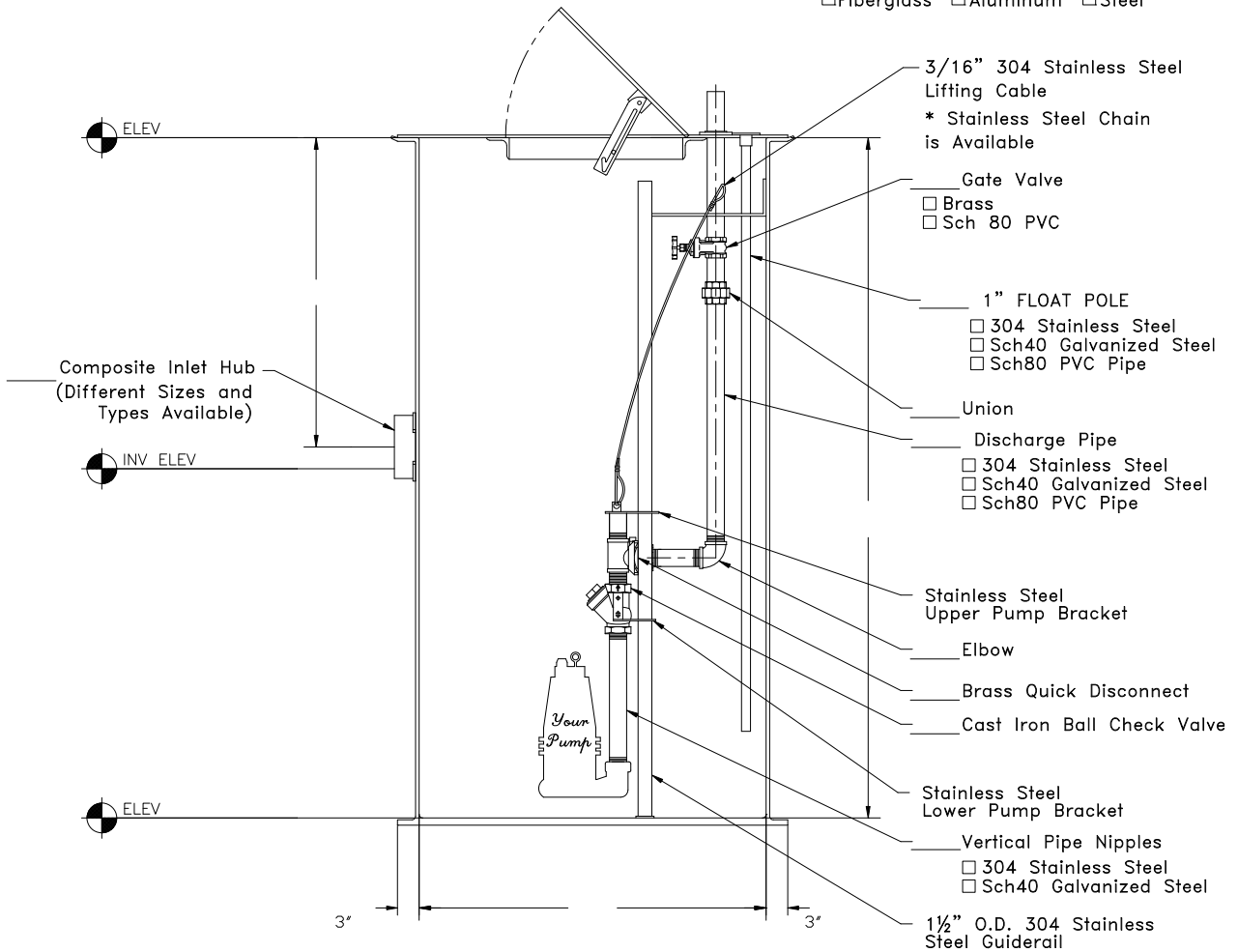
**Solid Cover**

- Fiberglass  
 Steel



**Hinged and Lockable Cover**

- Fiberglass  Aluminum  Steel



- 3/16" 304 Stainless Steel Lifting Cable  
 \* Stainless Steel Chain is Available

- Gate Valve  
 Brass  
 Sch 80 PVC

**1" FLOAT POLE**

- 304 Stainless Steel  
 Sch40 Galvanized Steel  
 Sch80 PVC Pipe

**Union**

**Discharge Pipe**

- 304 Stainless Steel  
 Sch40 Galvanized Steel  
 Sch80 PVC Pipe

**Stainless Steel Upper Pump Bracket**

**Elbow**

**Brass Quick Disconnect**

**Cast Iron Ball Check Valve**

**Stainless Steel Lower Pump Bracket**

**Vertical Pipe Nipples**

- 304 Stainless Steel  
 Sch40 Galvanized Steel

**1 1/2" O.D. 304 Stainless Steel Guiderail**

ELEV

INV ELEV

ELEV

Composite Inlet Hub  
 (Different Sizes and Types Available)

3"

3"

**TOPP INDUSTRIES**  
**INCORPORATED**

Prefabricated Fiberglass Lift Station  
 Reference: Simplex SGR Top Discharge With Valves

Highway 25 North P.O. Box 420  
 Rochester, IN 46975  
 Phone: 800/354-4534 Fax: 574/223-6106

Scale: None  
 Drawn By: RM  
 App'd By: .  
 Date: 03/01/04

Supersedes Prints  
 Prior To: 12/22/08

This print is and contains confidential proprietary information owned exclusively by TOPP INDUSTRIES, INC. It is furnished on a strictly confidential basis. This restriction includes, but is not limited to the condition that this print will not only be used as a record or to identify or inspect parts or for other information purposes and will not be used to manufacture or procure the manufacture of the items shown in this print by any other source than TOPP INDUSTRIES, INC.

Reference No: 17504

**Revisions**

Ⓐ	First Released.