

PUMP INFORMATION

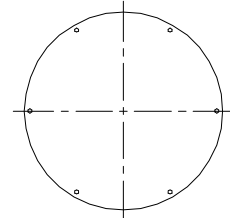
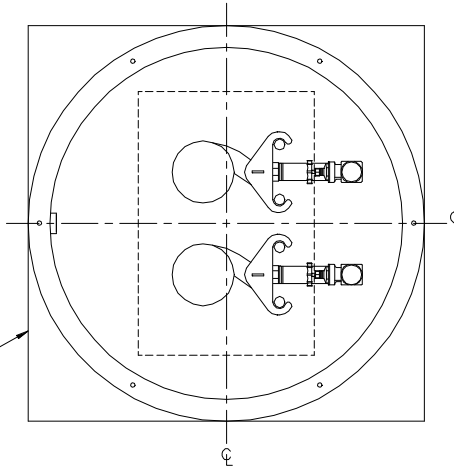
- Type: Sump Pump(s)
 Grinder Pump(s)
 Non-Clog Pump(s)

Model NO: _____
 Rating: _____ GPM _____ TDH
 Motor: _____ HP _____ RPM
 Elec: _____ PH _____ HZ _____ V
 Elec: _____ FL AMPS

DISCHARGE PIPE

- 304 Stainless Steel
 Sch40 Galvanized Steel
 Sch80 PVC Pipe
 1 1/4"
 2"

- Anti-Floatation Flange
 Fiberglass Encapsulated
 ASTM A-36 Steel
 Round Fiberglass
 None

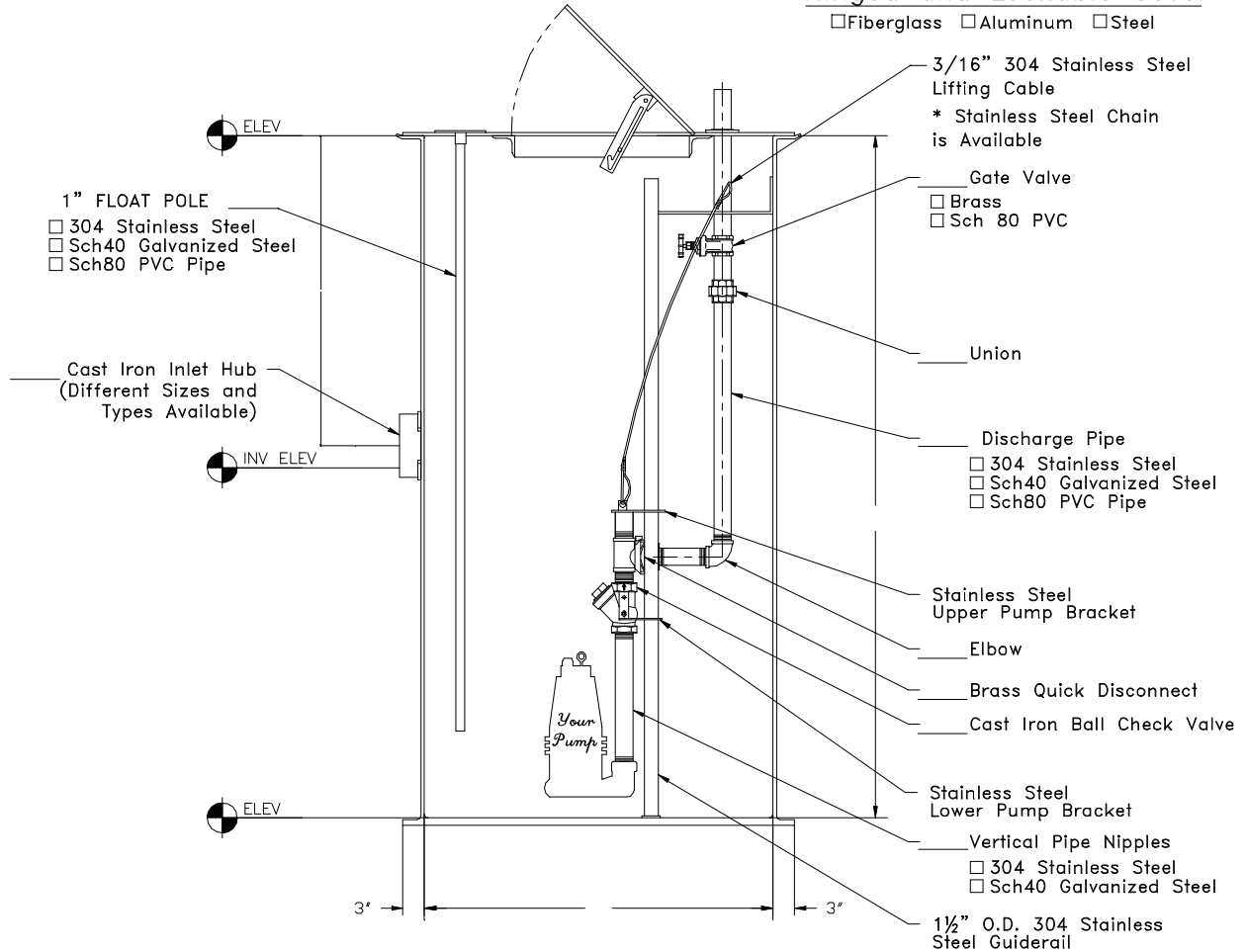


Solid Cover

- Fiberglass
 Steel
 3/4" Cord Grip
 Discharge Flange
 NPT Vent Flange
 Discharge Flange
 3/4" Cord Grip
 IN04 W/Coupling

Hinged and Lockable Cover

- Fiberglass Aluminum Steel



- 1" FLOAT POLE
 304 Stainless Steel
 Sch40 Galvanized Steel
 Sch80 PVC Pipe

Cast Iron Inlet Hub
 (Different Sizes and Types Available)

- 3/16" 304 Stainless Steel Lifting Cable
 * Stainless Steel Chain is Available

- Gate Valve
 Brass
 Sch 80 PVC

Union

- Discharge Pipe
 304 Stainless Steel
 Sch40 Galvanized Steel
 Sch80 PVC Pipe

Stainless Steel Upper Pump Bracket

Elbow

Brass Quick Disconnect

Cast Iron Ball Check Valve

Stainless Steel Lower Pump Bracket

Vertical Pipe Nipples

- 304 Stainless Steel
 Sch40 Galvanized Steel

1 1/2" O.D. 304 Stainless Steel Guiderail



Prefabricated Fiberglass Lift Station
 Reference: Duplex SGR Top Discharge With Valves

Scale: None
 Drawn By: RM
 App'd By: .
 Date: 03/01/04

This print is and contains confidential proprietary information owned exclusively by TOPP INDUSTRIES, INC. It is furnished on a strictly confidential basis. This restriction includes, but is not limited to the condition that this print will not only be used as a record or to identify or inspect parts or for other information purposes and will not be used to manufacture or procure the manufacture of the items shown in this print by any other source than TOPP INDUSTRIES, INC.

Highway 25 North P.O. Box 480
 Rochester, IN 46975
 Phone: 800/354-4534 Fax: 574/223-6106

Supersedes Prints
 Prior To: 03/01/04

Reference No: 17506

Revisions

1	First Released.