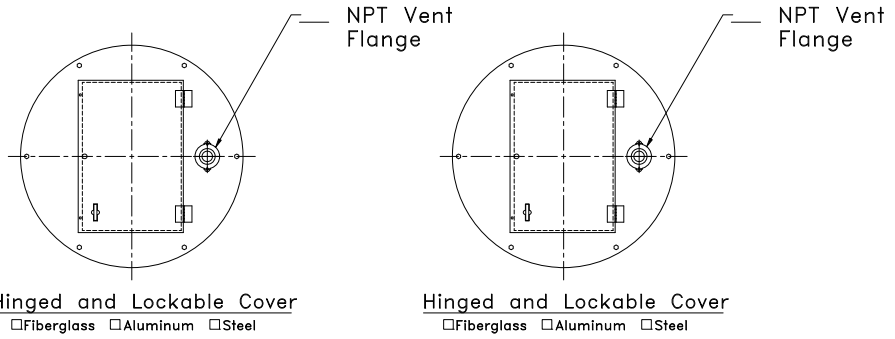


PUMP INFORMATION

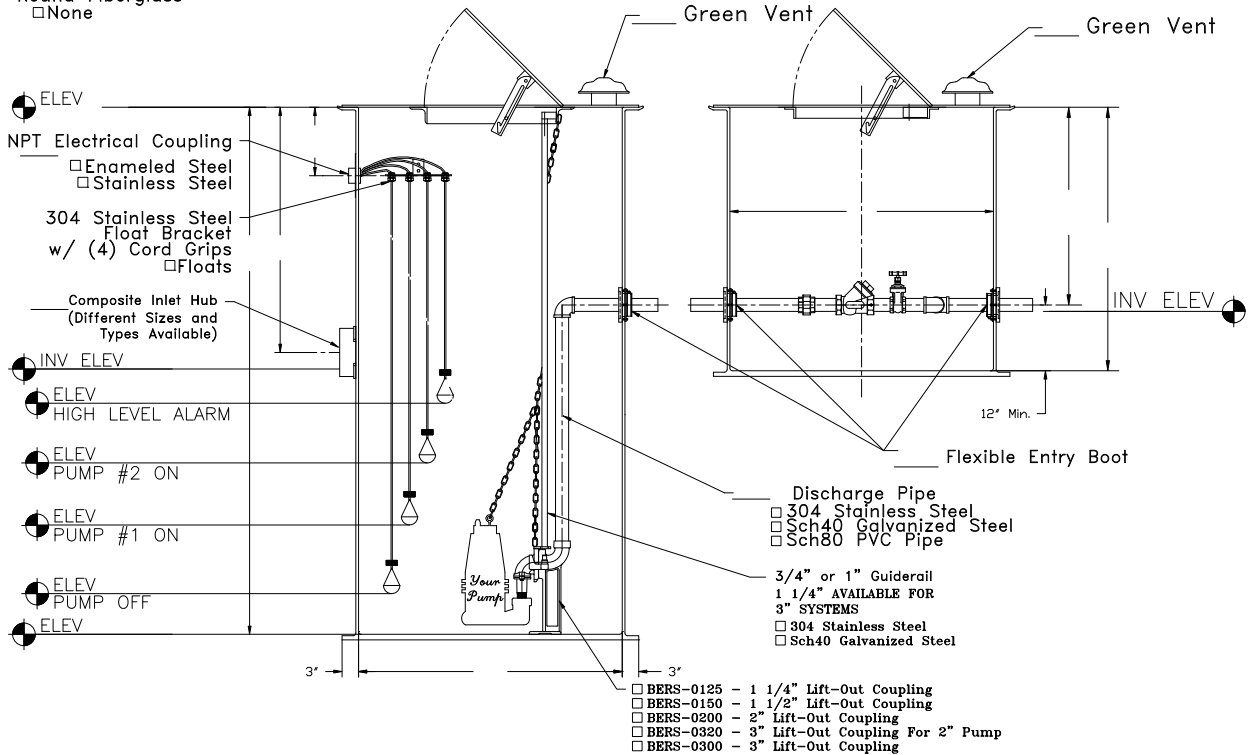
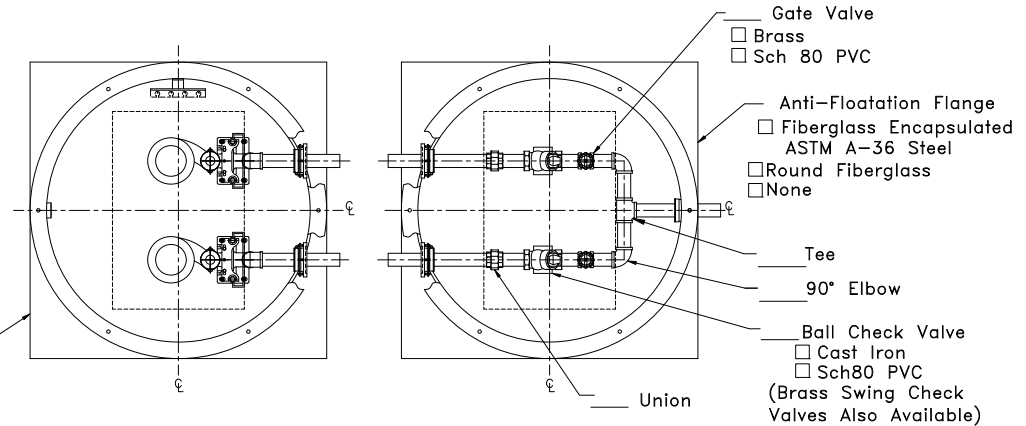
- Type: Sump Pump(s)
 Grinder Pump(s)
 Non-Clog Pump(s)
- Model NO.: _____
- Rating: _____ GPM _____ TDH
- Motor: _____ HP _____ RPM
- Elec: _____ PH _____ HZ _____ V
- Elec: _____ FL AMPS

DISCHARGE PIPE

- 304 Stainless Steel
 Sch40 Galvanized Steel
 Sch80 PVC Pipe
- 1 1/4"
 1 1/2"
 2"
 3"



- Anti-Floatation Flange
 Fiberglass Encapsulated
 ASTM A-36 Steel
 Round Fiberglass
 None



INDUSTRIES
TOPP
 INCORPORATED

Prefabricated Fiberglass
 Duplex Lift Station
 Reference: Duplex Lift Station With
 Unattached Valvebox

Highway 25 North P.O. Box 420
 Rochester, IN 46975
 Phone: 800/354-4534 Fax: 574/223-6106

Scale: None
 Drawn By: RM
 App'd By: .
 Date: 03/04/04

Supersedes Prints
 Prior To: 01/06/09

This print is and contains confidential proprietary information owned exclusively by TOPP INDUSTRIES, INC. It is furnished on a strictly confidential basis. This restriction includes, but is not limited to the condition that this print will not only be used as a record or to identify or inspect parts or for other information purposes and will not be used to manufacture or procure the manufacture of the items shown in this print by any other source than TOPP INDUSTRIES, INC.

Reference No: 17518

Revisions

Ⓐ	First Released.