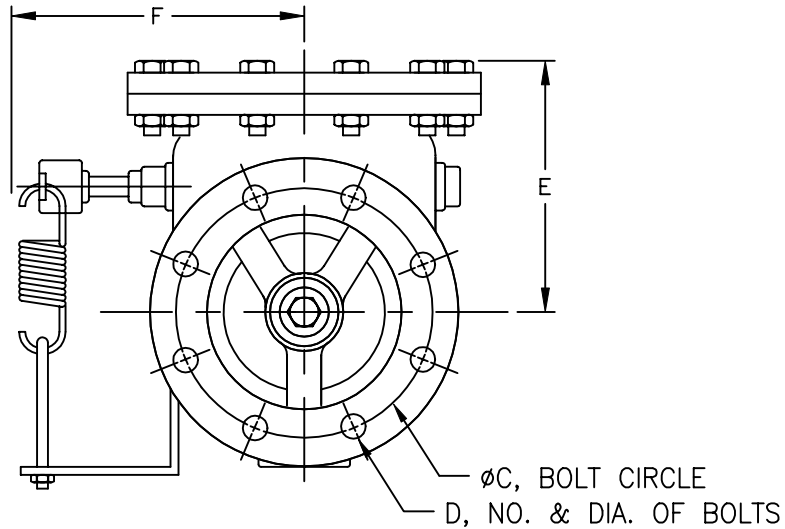
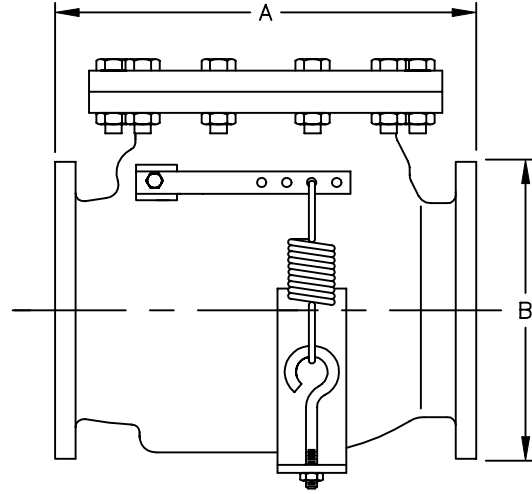


SWING CHECK VALVE
LEVER AND SPRING
2" thru 30"
DIMENSIONAL DATA

MODEL 90LS - Class 125



FOR REFERENCE USE ONLY, SPECIFICATIONS SUBJECT TO CHANGE WITHOUT NOTICE.

SIZE(in.)	PART No.	A	B	C	D	E	F	WT. lbs.
2	2704LS	8	6	4 3/4	(4) 5/8	6	5	36
3	2706LS	9 1/2	7 1/2	6	(4) 5/8	7 1/16	5 1/2	62
10	2711LS	24.5	16	14 1/4	(12) 7/8	13 15/16	13 1/4	522
12	2712LS	27 1/2	19	17	(12) 7/8	16 3/16	15 1/8	733
14	2714LS	30	21	18 3/4	(12) 1	18 3/4	15 1/2	1150
16	2716LS	35	23 1/2	21 1/4	(16) 1	23	17 3/4	1630
18	2718LS	36 1/2	25	22 3/4	(16) 1 1/8	25	18 5/8	1835
20	2720LS	37 5/8	27 1/2	25	(20) 1 1/8	24 1/2	20	2470
24	2724LS	44	32	29 1/2	(20) 1 1/4	28	22 1/2	3415
30	2730LS	49 1/2	38 3/4	36	(28) 1 1/4	32 7/8	25 1/8	4950



FLOMATIC CORPORATION
GLENS FALLS, N.Y. 12801
PHONE (518) 761-9797
FAX (518) 761-9798

DATE: 1/2/91
DWG. NO.: S6013
REV.: H (2/02)