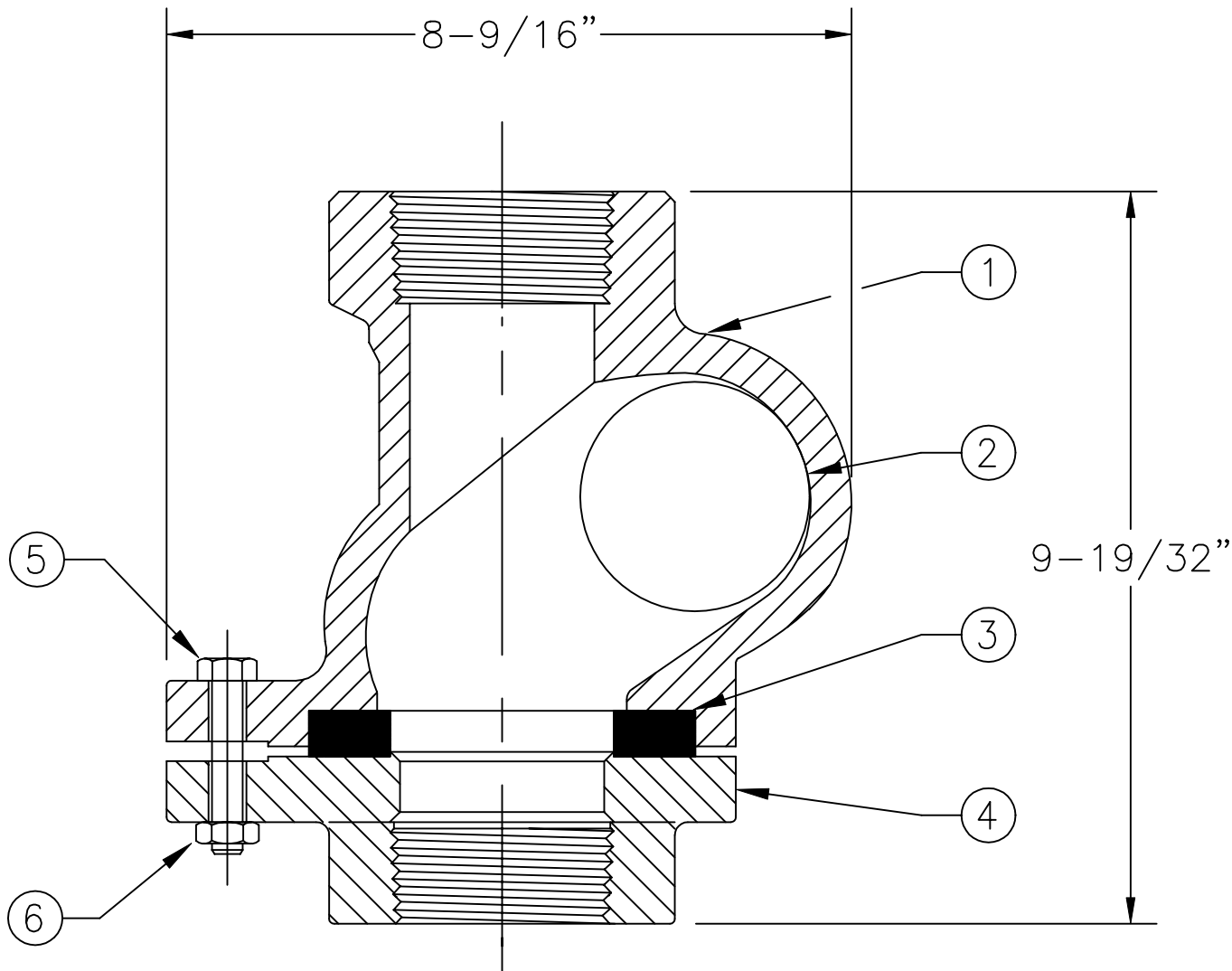


**BALL CHECK VALVE**  
**3"**  
**MODEL 508/50**



**WGT 30 LBS**

\*FLOATING BALL ALSO AVAILABEL ADD "FB" TO PART NUMBER  
 FOR REFERENCE USE ONLY, SPECIFICATIONS SUBJECT TO CHANGE WITHOUT NOTICE.

ITEM	QTY.	DESCRIPTION	MATERIAL	ASTM
1	1	BODY (EPOXY COATED)	CAST IRON	A-48
2	1	*BALL	PHENOLIC	—
3	1	SEAL	POLYURETHANE	—
4	1	FLANGE (EPOXY COATED)	CAST IRON	A-48
5	4	BOLT	STN. STL.	304
6	4	HEX NUT	STN. STL.	304