

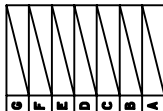
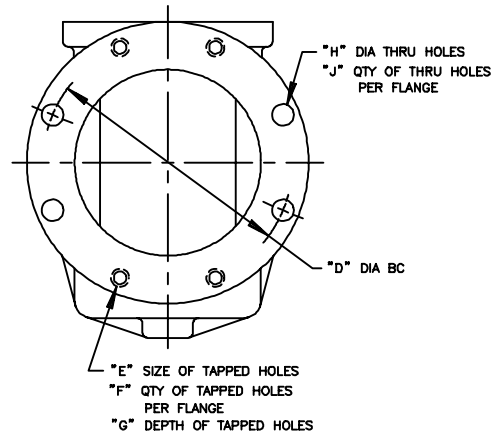
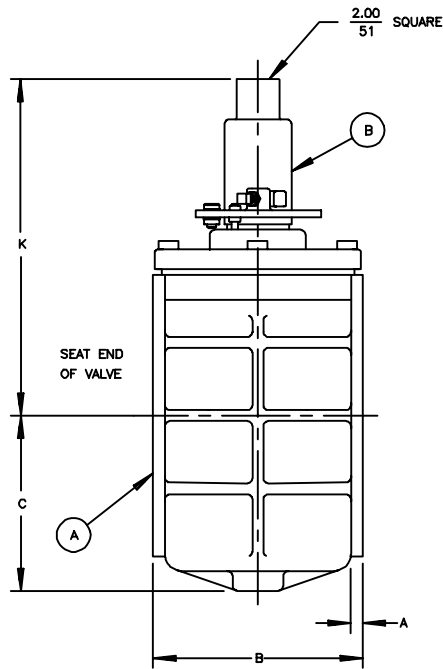
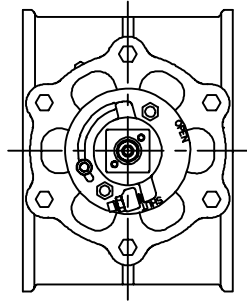
VALVE SIZE		DIMENSIONS									
INCH	MM	INCHES MILLIMETERS									
		A	B	C	D	E	F	G	H	J	K
4	100	$\frac{.69}{18}$	$\frac{9.00}{229}$	$\frac{5.38}{137}$	$\frac{7.50}{191}$	NONE	NONE	NONE	$\frac{.75}{19}$	8	$\frac{10.19}{259}$
5	125	$\frac{.75}{19}$	$\frac{10.50}{267}$	$\frac{6.50}{165}$	$\frac{8.50}{216}$	3/4-10UNC	4	$\frac{1.00}{25}$	$\frac{.88}{22}$	4	$\frac{13.81}{351}$
6	150	$\frac{.75}{19}$	$\frac{10.50}{267}$	$\frac{6.50}{165}$	$\frac{9.50}{241}$	NONE	NONE	NONE	$\frac{.88}{22}$	8	$\frac{13.81}{351}$
8	200	$\frac{.81}{21}$	$\frac{11.50}{292}$	$\frac{8.25}{210}$	$\frac{11.75}{298}$	3/4-10UNC	4	$\frac{.81}{21}$	$\frac{.88}{22}$	4	$\frac{15.38}{391}$

A	VALVE
B	ACTUATOR

NOTES:

1. FLANGES ARE FLAT FACED WITH DIAMETER AND DRILLING TO CLASS 125 ANSI STANDARD B16.1, EXCEPT FOR TAPPED HOLES AS INDICATED. SEE A-16368 FOR NON-ANSI FLANGE DATA.

NOTICE
THIS DRAWING DOES NOT SHOW ACTUATOR ACCESSORIES. IF ACCESSORIES ARE REQUIRED, REFER TO THE APPROPRIATE ACCESSORY INSTALLATION DRAWING FOR DIMENSIONS AND OTHER RELATED INFORMATION.



DeZURIK

SARTELL, MINNESOTA, U.S.A. 56377
CAMBRIDGE, ONTARIO, CANADA
SUNBURY, VICTORIA, AUSTRALIA
CRANLINGTON, ENGLAND

PEC ECCENTRIC VALVES SIZE 4 - 8 FLANGED MATERIAL GROUP 1
NT NUT ACTUATED

DOCT. CODE	DRAWN	BMP	APPROVED	TPK
C1	CHECKED	TPK	DATE	02/08/99

A-50941