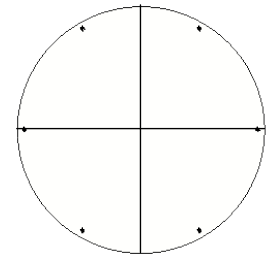
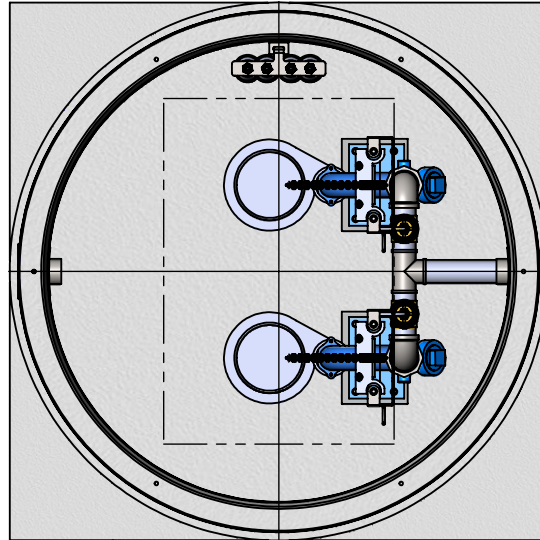


PUMP INFORMATION

Model NO: _____
 Rating: _____ GPM _____ TDH
 Motor: _____ HP _____ RPM
 Elec: _____ PH _____ HZ _____ v
 Elec: _____ FL AMPS

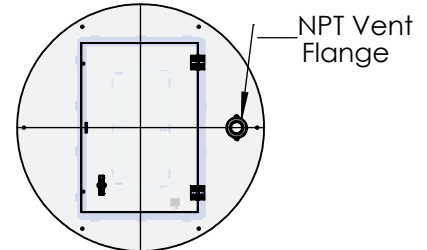
DISCHARGE PIPE

- 1 1/4"
- 1 1/2"
- 2"
- 3"



Solid Cover

- Fiberglass
- Steel



Hinged and Lockable Cover

- Fiberglass
- Aluminum
- Steel

- Anti-Floatation Flange
- Fiberglass Encapsulated
 - ASTM A-36 Steel
 - Round Fiberglass

