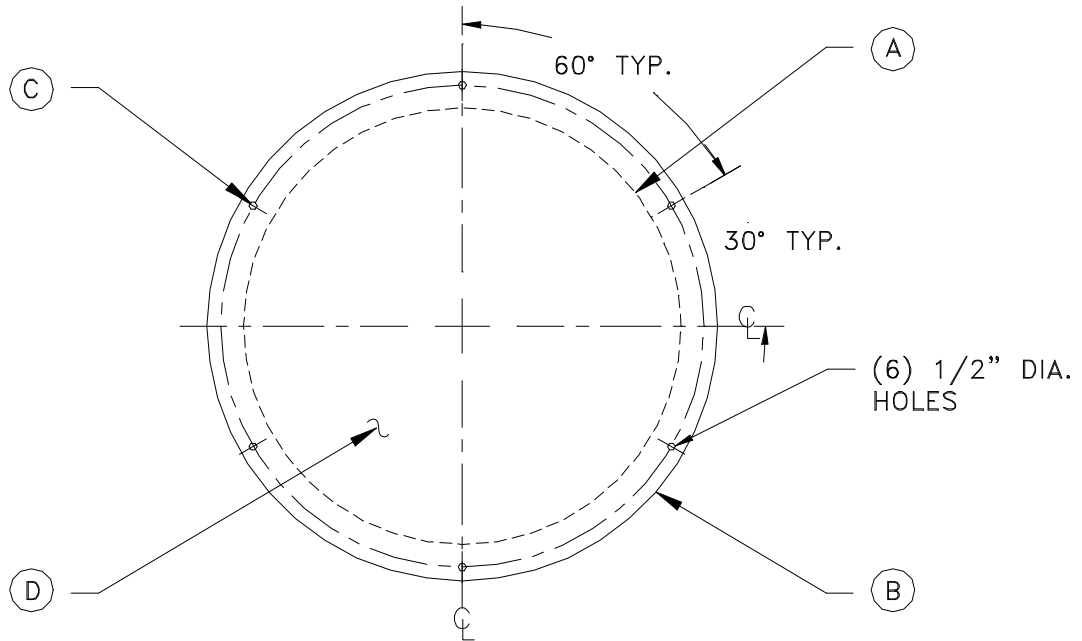


SOLID FIBERGLASS BASIN COVER

STAINLESS STEEL HARDWARE STANDARD
GASKET TAPE PROVIDED



PART NO.	STYLE	Ⓐ BASIN INSIDE DIA.	Ⓑ OUTSIDE DIA.	Ⓒ BOLT CIRCLE	Ⓓ MATERIAL THICKNESS
C42WF	ROUND	42	46	44.5	.50
C48WF	ROUND	48	54	51.0	.50
C60WF	ROUND	60	66	63.0	.75
C72WF	ROUND	72	78	75.0	1.00

ALL DIMENSIONS IN INCHES

INDUSTRIES
TOPP
INCORPORATED

SOLID FIBERGLASS COVER

Reference: -

Highway 25 North P.O. Box 420
Rochester, IN 46975
Phone: 800/354-4534 Fax: 574/223-6106

Scale: None

Drawn By: RM

App'd By: .

Date: 06/26/03

Supersedes Prints

Prior To: 06/26/03

This print is and contains confidential proprietary information owned exclusively by TOPP INDUSTRIES, INC. It is furnished on a strictly confidential basis. This restriction includes, but is not limited to the condition that this print will not only be used as a record or to identify or inspect parts or for other information purposes and will not be used to manufacture or procure the manufacture of the items shown in this print by any other source than TOPP INDUSTRIES, INC.

Reference No: 10081

Revisions

① First Released 06/27/03