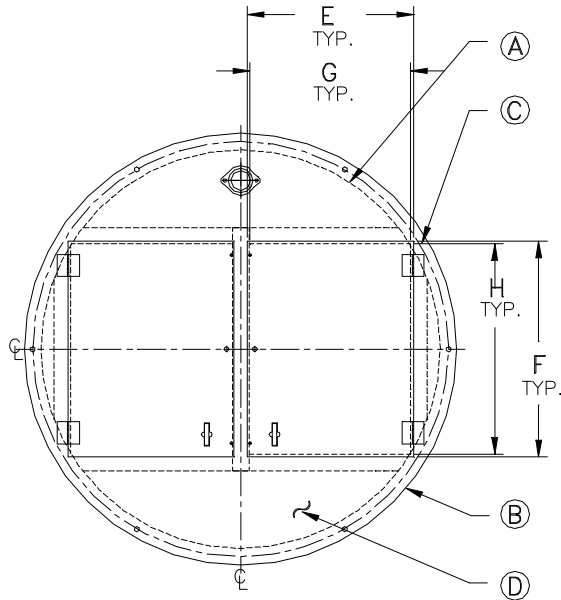
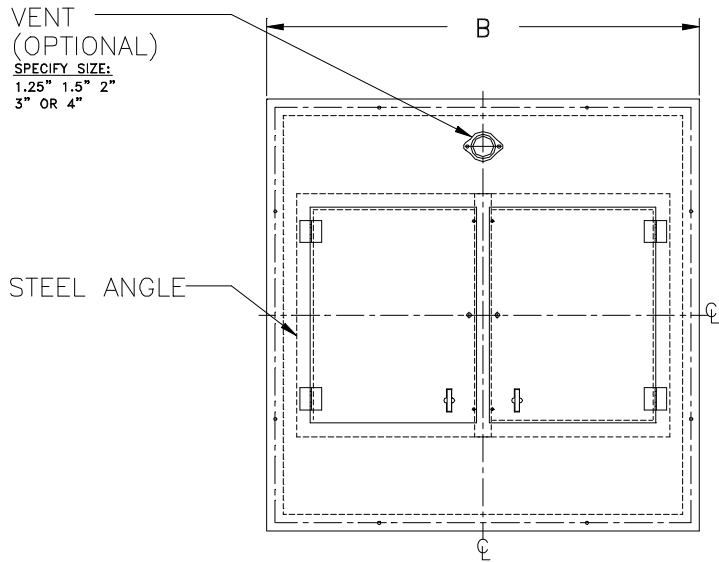


DOUBLE HATCH STEEL BASIN COVER

STAINLESS STEEL HARDWARE STANDARD
GASKET TAPE PROVIDED



ROUND COVER
HINGED AND LOCKABLE



SQUARE COVER
HINGED AND LOCKABLE

| PART NO. | STYLE | (A) BASIN INSIDE DIM. | (B) OUTSIDE DIM. | (C) BOLT CIRCLE | (D) THICKNESS | (E) HATCH DOOR WIDTH | (F) HATCH DOOR LENGTH | (G) CLEAR ACCESS WIDTH | (H) CLEAR ACCESS LENGTH |
|----------|--------------|-----------------------|------------------|-------------------|---------------|----------------------|-----------------------|------------------------|-------------------------|
| C48HDS | ROUND SQUARE | 48 48x48 | 54 54x54 | 51.0 51.0x51.0 | .25 .25 | 18 20 | 25 29 | 17 19 | 24 28 |
| C60HDS | ROUND SQUARE | 60 60x60 | 66 66x66 | 63.0 63.0x63.0 | .375 .375 | 21 25 | 31 37 | 20 24 | 30 36 |
| C72HDS | ROUND SQUARE | 72 72x72 | 78 78x78 | 75.0 75.0x75.0 | .375 .375 | 25 31 | 41 49 | 24 30 | 40 48 |

ALL DIMENSIONS IN INCHES

INDUSTRIES
TOPP
INCORPORATED

DOUBLE HATCH STEEL
BASIN COVER

Reference: -

Highway 25 North P.O. Box 420
Rochester, IN 46975
Phone: 800/354-4534 Fax: 574/223-6108

Scale: None

Drawn By: KM

App'd By: .

Date: 06/26/03

Supersedes Prints

Prior To: 06/26/03

This print is and contains confidential proprietary information owned exclusively by TOPP INDUSTRIES, INC. It is furnished on a strictly confidential basis. This restriction includes, but is not limited to the condition that this print will not only be used as a record or to identify or inspect parts or for other information purposes and will not be used to manufacture or procure the manufacture of the items shown in this print by any other source than TOPP INDUSTRIES, INC.

Reference No:

10088

Revisions

① First Released 06/27/03