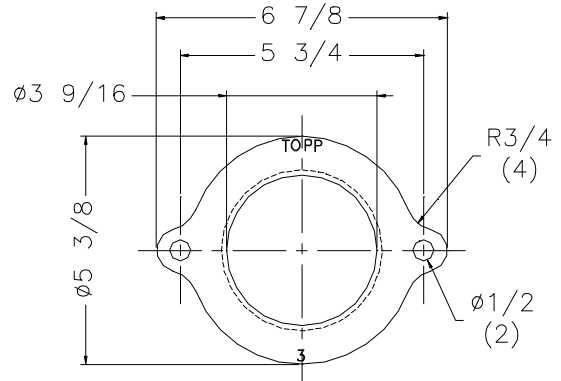
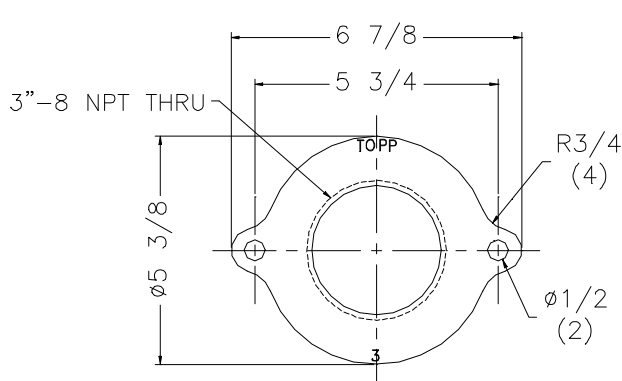
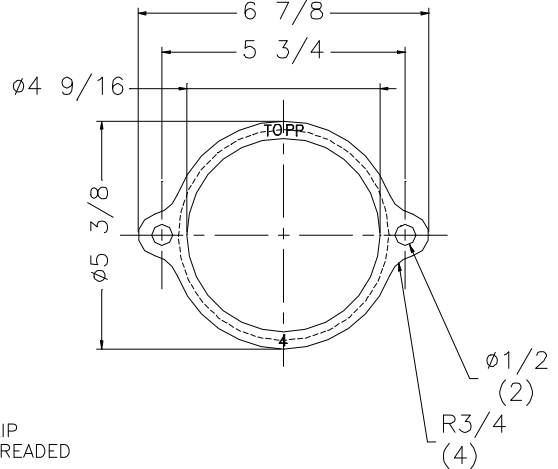
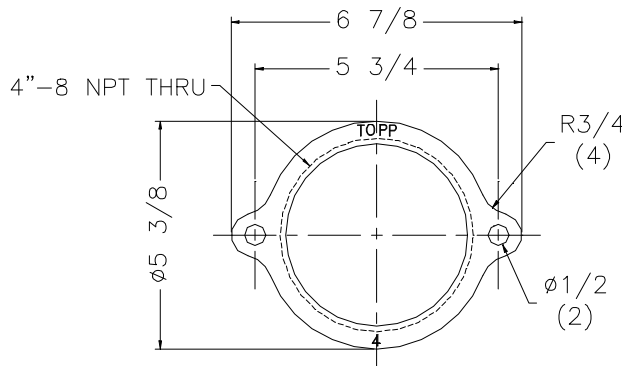


CAST IRON PIPE FLANGES

CAST IRON PIPE FLANGES ARE DESIGNED TO BE USED TO SEAL PIPING IN TOPP INDUSTRIES' STEEL COVERS. WHEN FLANGES ARE SPECIFIED TO SEAL VENT AND DISCHARGE PIPES THE PROPER HOLES AND TAPPINGS ARE PROVIDED IN THE COVER. 3/8"x2" STAINLESS STEEL BOLTS AND WASHERS ARE PROVIDED WITH EACH FLANGE KIT. RUBBER O-RINGS ARE PROVIDED WITH EACH SLIP FLANGE KIT.



PART NO.
F300S- SLIP
F300T- THREADED



PART NO.
F400S- SLIP
F400T- THREADED

INSTALLATION INSTRUCTIONS:

1. CENTER O-RING UNDER FLANGE.
(SLIP ONLY)
2. ATTACH THE BOLTS MAKING SURE NOT TO TIGHTEN THEM.
3. INTRODUCE PIPE TO FLANGE.
 - A. USE PIPE DOPE ON THREADED FLANGES.
 - B. LUBRICATE O-RING ON SLIP FLANGES.
4. FULLY TIGHTEN FLANGE WHEN PIPE IS SET.

INDUSTRIES
TOPP
INCORPORATED

CAST IRON PIPE FLANGES

Reference: -

Highway 25 North P.O. Box 420
Rochester, IN 46975
Phone: 800/354-4534 Fax: 574/223-6106

Scale: None

Drawn By: RM

App'd By: .

Date: 10/22/03

Supersedes Prints

Prior To: 10/22/03

This print is and contains confidential proprietary information owned exclusively by TOPP INDUSTRIES, INC. It is furnished on a strictly confidential basis. This restriction includes, but is not limited to the condition that this print will not be used as a record or to identify or inspect parts or for other information purposes and will not be used to manufacture or procure the manufacture of the items shown in this print by any other source than TOPP INDUSTRIES, INC.

Reference No: 10094

Revisions

① First Released 10/22/03