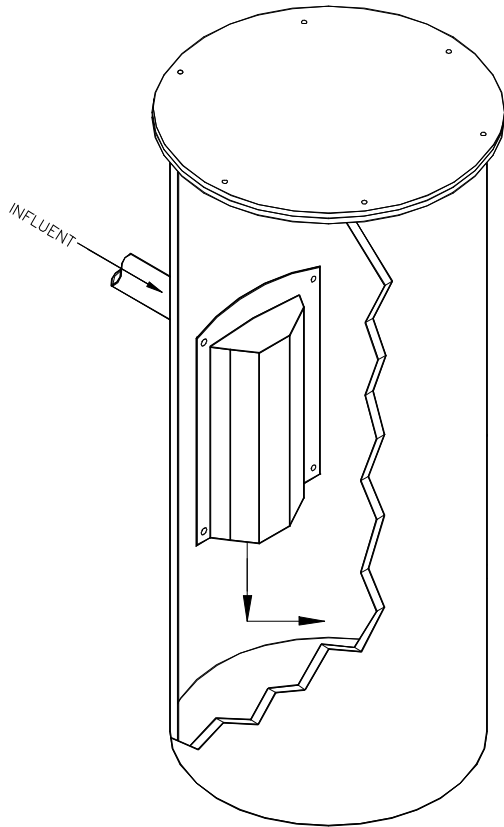
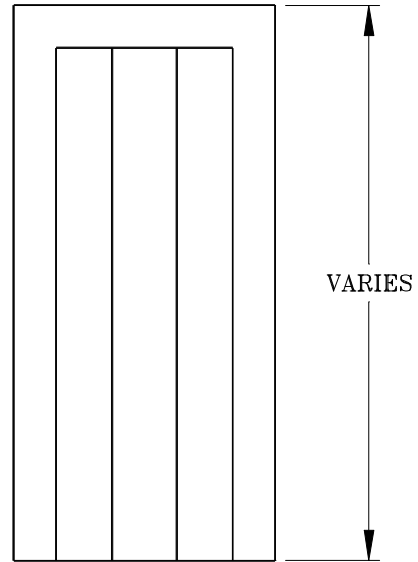
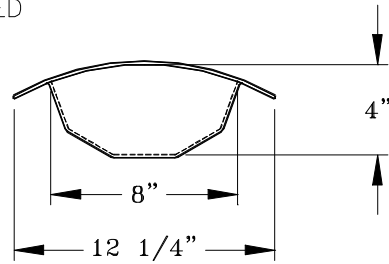


# POLYETHYLENE INLET BAFFLE

STAINLESS STEEL HARDWARE AND  
GASKET TAPE PROVIDED



TYPICAL INSTALLATION



PART NO.	DESCRIPTION
PIB12	4" DEEP x 8" WIDE x 12" LONG
PIB18	4" DEEP x 8" WIDE x 18" LONG
PIB24	4" DEEP x 8" WIDE x 24" LONG
PIB30	4" DEEP x 8" WIDE x 30" LONG
PIB36	4" DEEP x 8" WIDE x 36" LONG
PIB42	4" DEEP x 8" WIDE x 42" LONG
PIB48	4" DEEP x 8" WIDE x 48" LONG

INDUSTRIES  
**TOPP**  
INCORPORATED

POLY INLET BAFFLE

Reference: -

Scale: None

Drawn By: RM

App'd By: .

Date: 07/08/03

This print is and contains confidential proprietary information owned exclusively by TOPP INDUSTRIES, INC. It is furnished on a strictly confidential basis. This restriction includes, but is not limited to the condition that this print will not only be used as a record or to identify or inspect parts or for other information purposes and will not be used to manufacture or procure the manufacture of the items shown in this print by any other source than TOPP INDUSTRIES, INC.

Highway 25 North P.O. Box 480  
Rochester, IN 46975  
Phone: 800/354-4534 Fax: 574/223-8106

Supersedes Prints  
Prior To: 07/08/03

Reference No: 10157

Revisions

① First Released 06/27/03