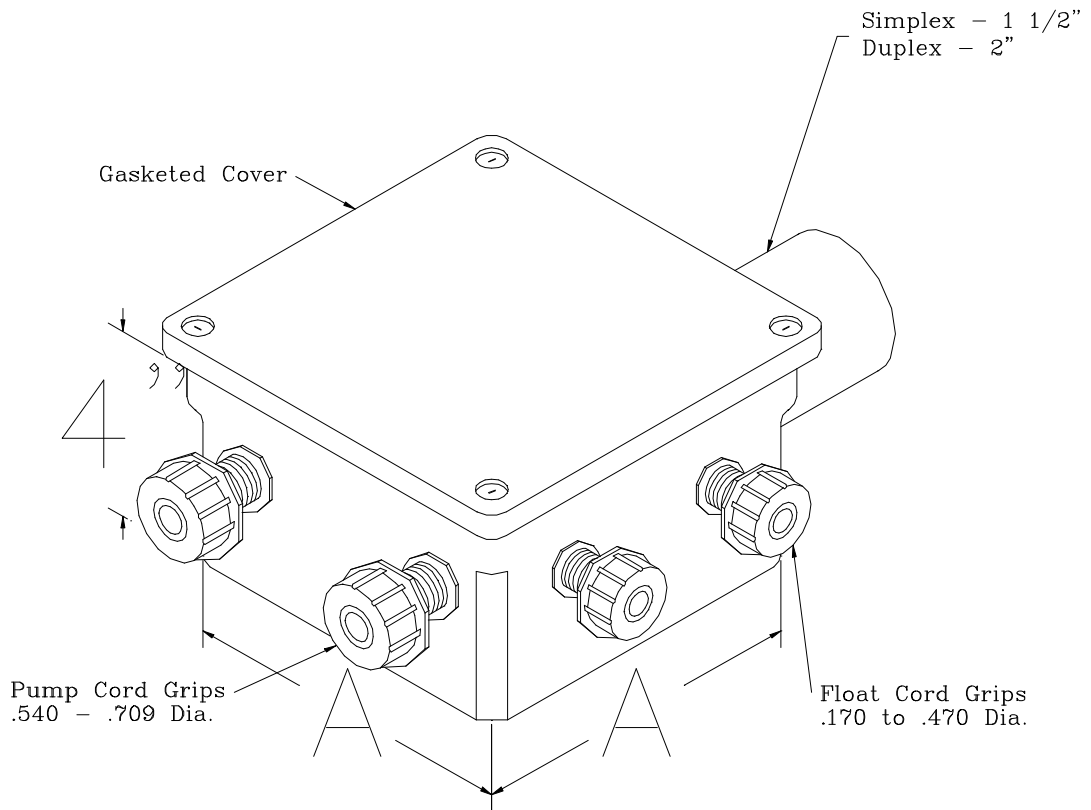


NEMA 4X JUNCTION BOXES

NEMA 4X JUNCTION BOXES ARE ELECTRICAL ENCLOSURES THAT ARE WATERTIGHT, DUSTTIGHT AND CORROSION RESISTANT.



Junction Boxes		
Type	A	Cord Grips
Duplex	8"	2 each- Pump 6 each- Floats
Duplex	6"	2 each- Pump 4 each- Floats
Simplex	4"	1 each- Pump 3 each- Floats

INDUSTRIES
TOPP
INCORPORATED

NEMA 4X Junction Box

Reference: -

Highway 25 North P.O. Box 420
Rochester, IN 46975
Phone: 800/354-4534 Fax: 574/223-6106

Scale: None

Drawn By: RM

App'v'd By: .

Date: 03/15/04

Supersedes Prints

Prior To: 03/15/04

This print is and contains confidential proprietary information owned exclusively by TOPP INDUSTRIES, INC. It is furnished on a strictly confidential basis. This restriction includes, but is not limited to the condition that this print will not only be used as a record or to identify or inspect parts or for other information purposes and will not be used to manufacture or procure the manufacture of the items shown in this print by any other source than TOPP INDUSTRIES, INC.

Reference No:

10473

Revisions

①	