

PUMP INFORMATION

- Type: Sump Pump(s)
 Grinder Pump(s)
 Non-Clog Pump(s)

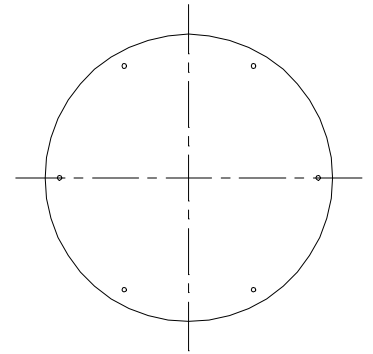
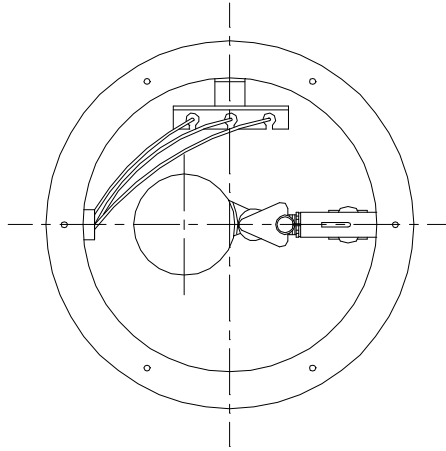
Model NO: _____

Rating: _____ GPM _____ TDH

Motor: _____ HP _____ RPM

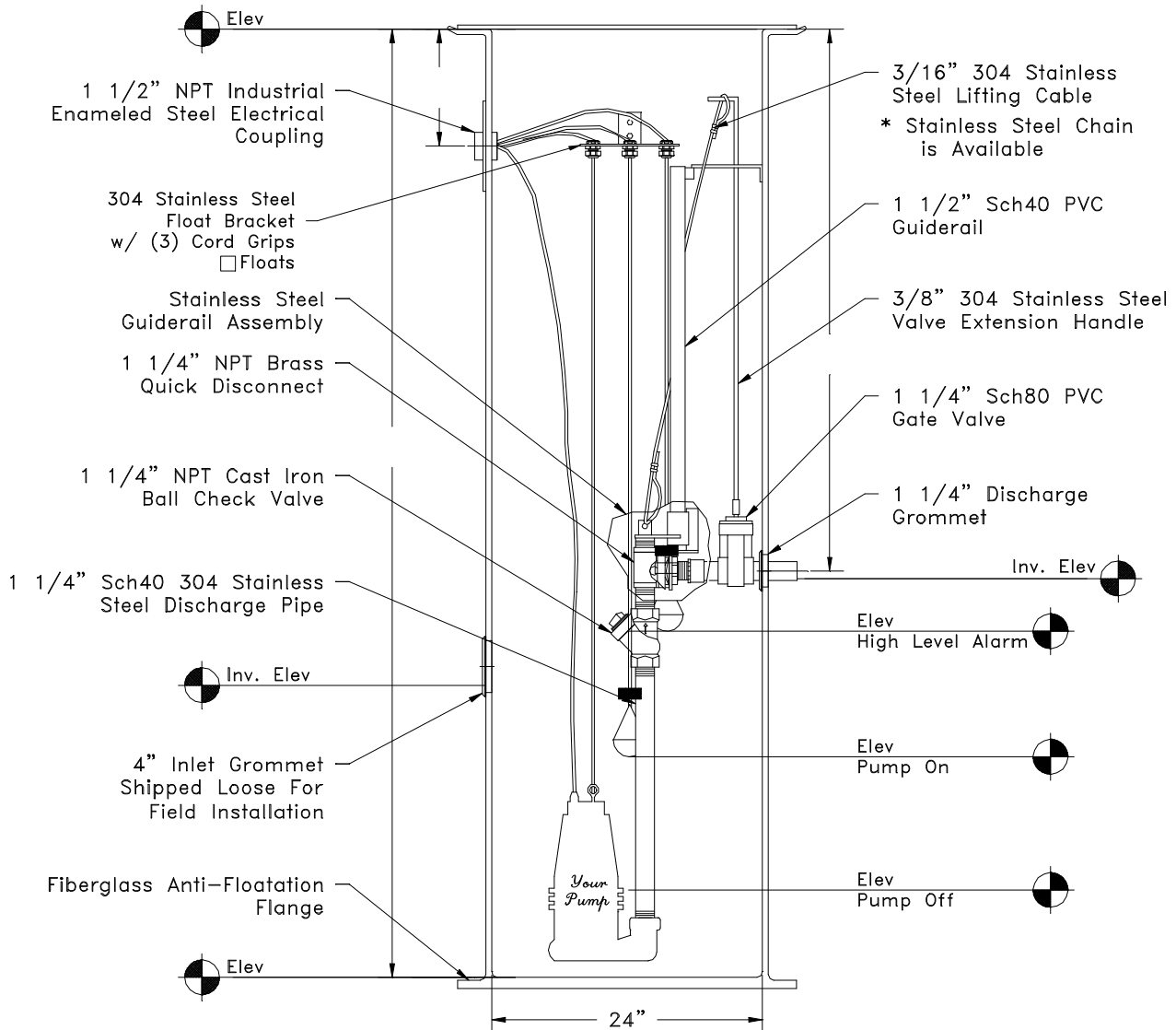
Elec: _____ PH _____ HZ _____ v

Elec: _____ FL AMPS



Solid Cover

- Fiberglass
 Steel



Prefabricated Fiberglass Unirail Lift Station
 Reference: Unirail
 Highway 25 North P.O. Box 420
 Rochester, IN 46975
 Phone: 800/354-4534 Fax: 574/223-6106

Scale: None
 Drawn By: RM
 App'd By:
 Date: 05/16/03

This print is and contains confidential proprietary information owned exclusively by TOPP INDUSTRIES, INC. It is furnished on a strictly confidential basis. This restriction includes, but is not limited to the condition that this print will not only be used as a record or to identify or inspect parts or for other information purposes and will not be used to manufacture or procure the manufacture of the items shown in this print by any other source than TOPP INDUSTRIES, INC.

Supersedes Prints
 Prior To: 05/16/03

Reference No: 11119

Revisions

(A)	First Released.