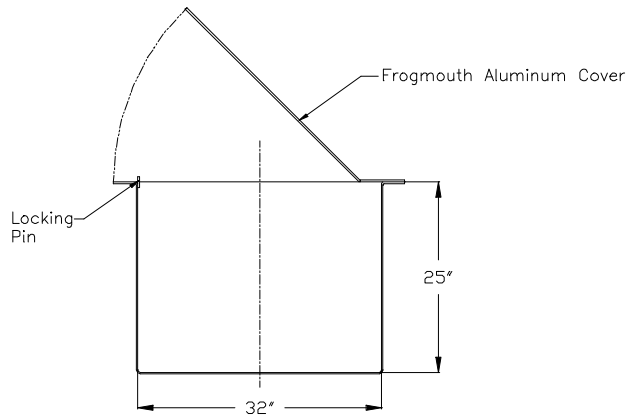
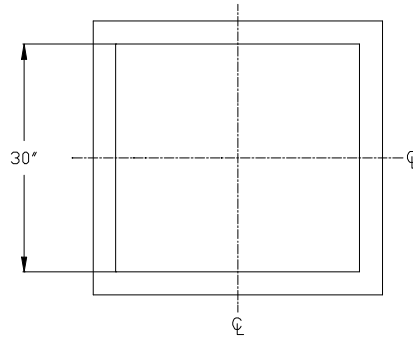
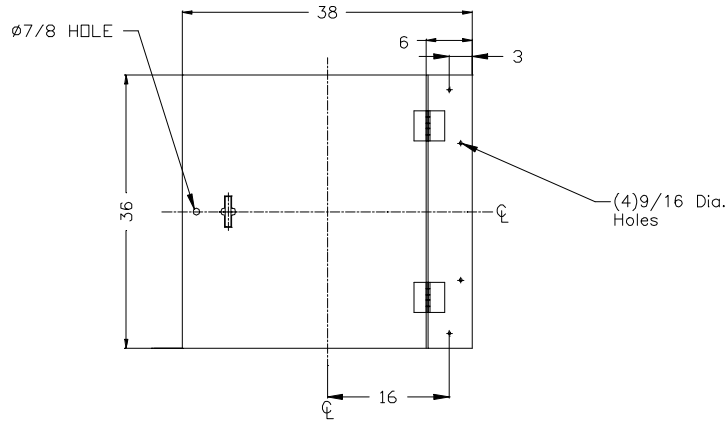


32" X 30" X 25" RECTANGULAR FIBERGLASS VALVEBOX—FRVB32X30X25



FROGMOUTH ALUMINUM COVER—CFM32X30X25A



TOPP
INDUSTRIES
INCORPORATED

32"x30"x25" Rectangular Fiberglass Valvebox
Frogmouth Alum. Cover
Reference: FRVB32X30X25
CFM32x30x25A

Scale: None
Drawn By: RM
App'd By:
Date: 06/26/03

This print is and contains confidential proprietary information owned exclusively by TOPP INDUSTRIES, INC. It is furnished on a strictly confidential basis. This restriction includes, but is not limited to the condition that this print will not only be used as a record or to identify or inspect parts or for other information purposes and will not be used to manufacture or procure the manufacture of the items shown in this print by any other source than TOPP INDUSTRIES, INC.

Highway 25 North P.O. Box 420
Rochester, IN 46975
Phone: 800/354-4534 Fax: 574/223-6106

Supersedes Prints
Prior To: 06/26/03

Reference No: 16074

Revisions

①	First Released 06/27/03