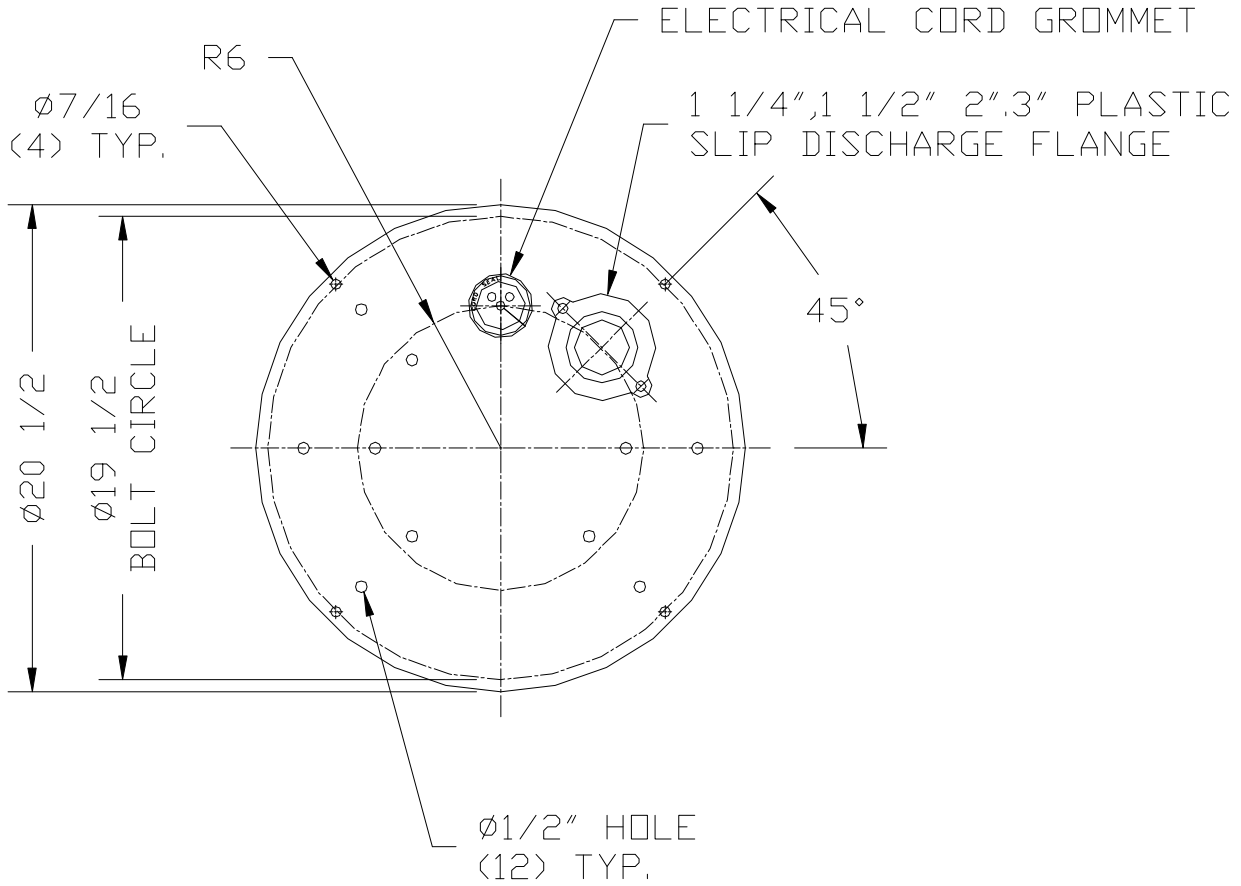


1/4" THICK PERFORATED STEEL COVER



**INDUSTRIES**  
**TOPP**  
 INCORPORATED

20 1/2" OD PERFORATED STEEL COVER

Reference: C18ELE

Highway 25 North P.O. Box 420  
 Rochester, IN 46975  
 Phone: 800/354-4534 Fax: 574/223-6106

Scale: None  
 Drawn By: RM  
 App'd By: .  
 Date: 10/22/03

Supersedes Prints  
 Prior To: 10/22/03

This print is and contains confidential proprietary information owned exclusively by TOPP INDUSTRIES, INC. It is furnished on a strictly confidential basis. This restriction includes, but is not limited to the condition that this print will not only be used as a record or to identify or inspect parts or for other information purposes and will not be used to manufacture or procure the manufacture of the items shown in this print by any other source than TOPP INDUSTRIES, INC.

Reference No: 17498

Revisions

①	