

PUMP INFORMATION

Type: Sump Pump(s)
 Grinder Pump(s)
 Non-Clog Pump(s)

Model NO.: _____

Rating: _____ GPM _____ TDH

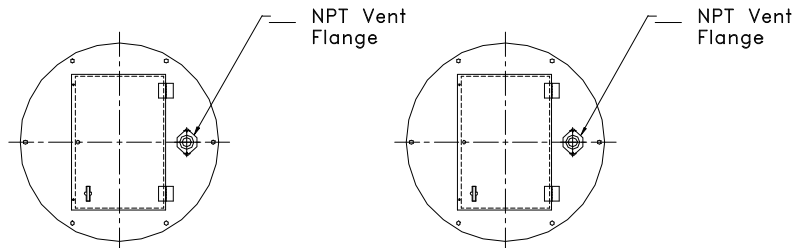
Motor: _____ HP _____ RPM

Elec: _____ PH _____ HZ _____ V

Elec: _____ FL AMPS

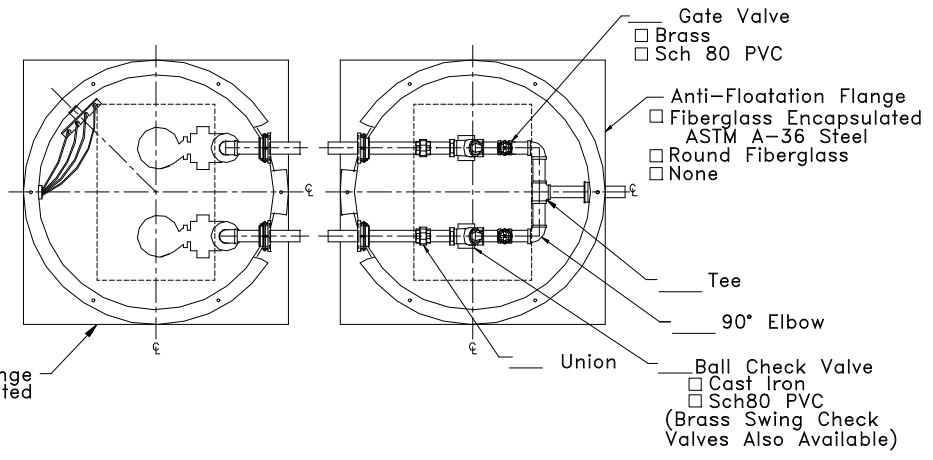
DISCHARGE PIPE

304 Stainless Steel
 Sch40 Galvanized Steel
 Sch80 PVC Pipe
 1 1/4"
 1 1/2"
 2"
 3"

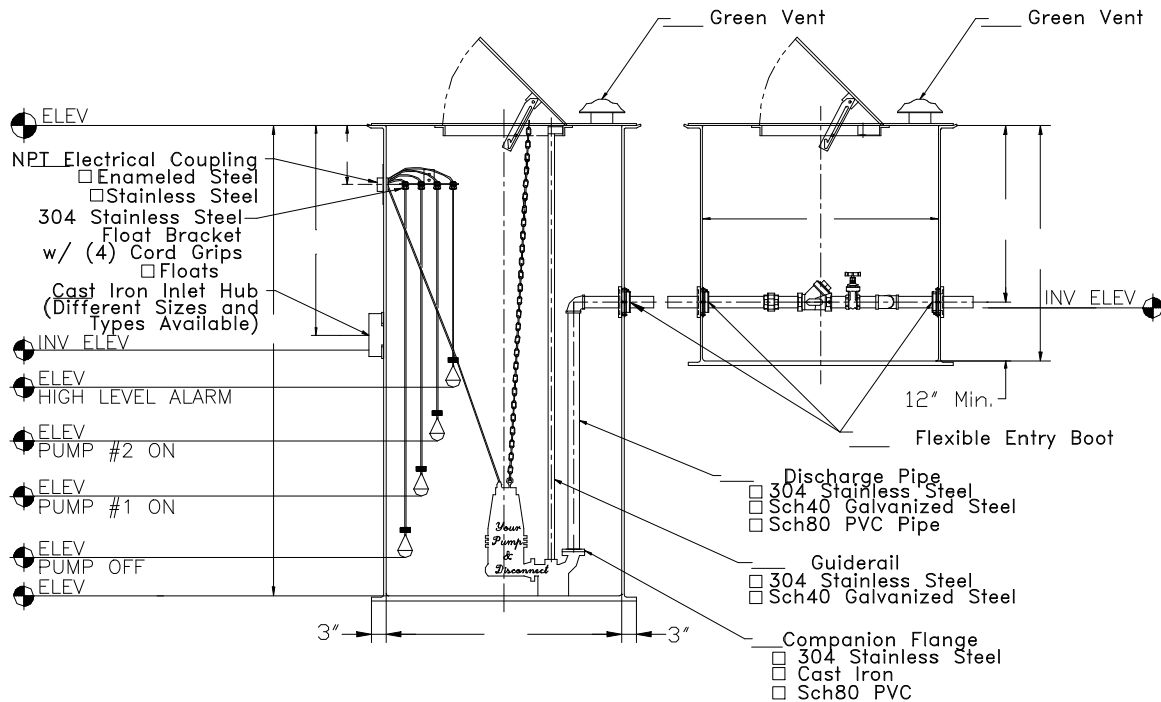


Hinged and Lockable Cover
 Fiberglass Aluminum Steel

Hinged and Lockable Cover
 Fiberglass Aluminum Steel



Anti-Floatation Flange
 Fiberglass Encapsulated
 ASTM A-36 Steel
 Round Fiberglass
 None



Prefabricated Fiberglass
 Duplex Lift Station
 Reference: Duplex Lift Station With
 Unattached Valvebox

Scale: None
 Drawn By: RM
 App'd By: .
 Date: 03/03/04

This print is and contains confidential proprietary information owned exclusively by TOPP INDUSTRIES, INC. It is furnished on a strictly confidential basis. This restriction includes, but is not limited to the condition that this print will not be used as a record or to identify or inspect parts or for other information purposes and will not be used to manufacture or procure the manufacture of the items shown in this print by any other source than TOPP INDUSTRIES, INC.

Highway 25 North P.O. Box 420
 Rochester, IN 46975
 Phone: 800/354-4534 Fax: 574/223-8106

Supersedes Prints
 Prior To: 03/03/04

Reference No: 17513

Revisions

A	First Released.