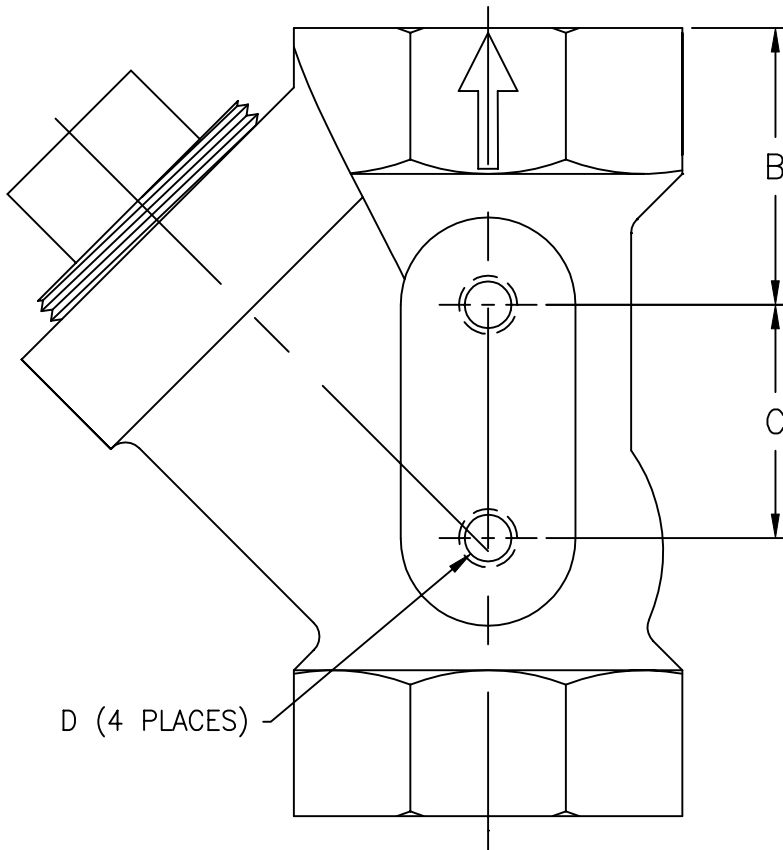
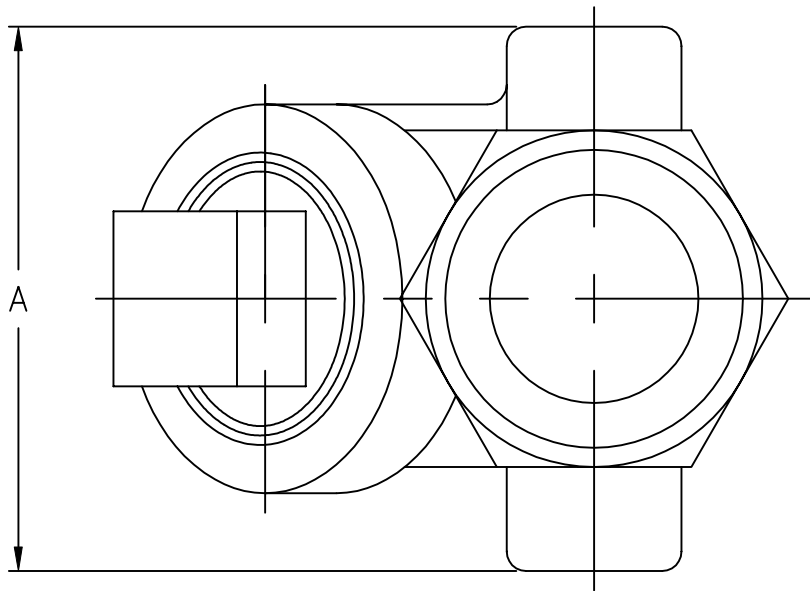


BALL CHECK VALVE
1-1/4" THRU 2"
MODEL 208B



FOR REFERENCE USE ONLY, SPECIFICATIONS SUBJECT TO CHANGE WITHOUT NOTICE.

SIZE(in.)	PART #	A	B	C	D
1 1/4	2141B	3-1/2	1-25/32	1-1/2	3/8-16 UNC, .70 DEEP
1 1/2	2142-0B	5	2-1/2	2-3/8	3/8-16 UNC, .70 DEEP
2	2142B	5	3 1/2	2-3/8	3/8-16 UNC, .70 DEEP

FLOMATIC[®]

FLOMATIC CORPORATION
 GLENS FALLS, N.Y. 12801
 PHONE (518) 761-9797
 FAX (518) 761-9798

DATE: 3/15/01
 DWG. NO.: S208B
 REV.: B (6/02)