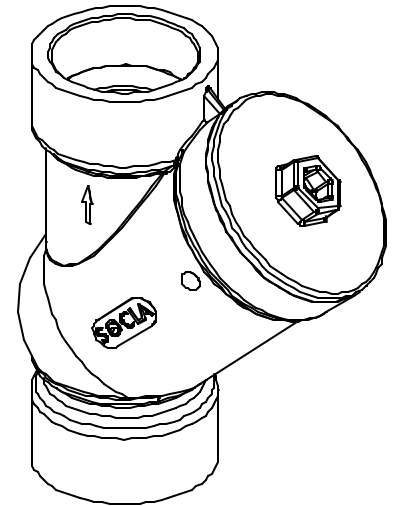
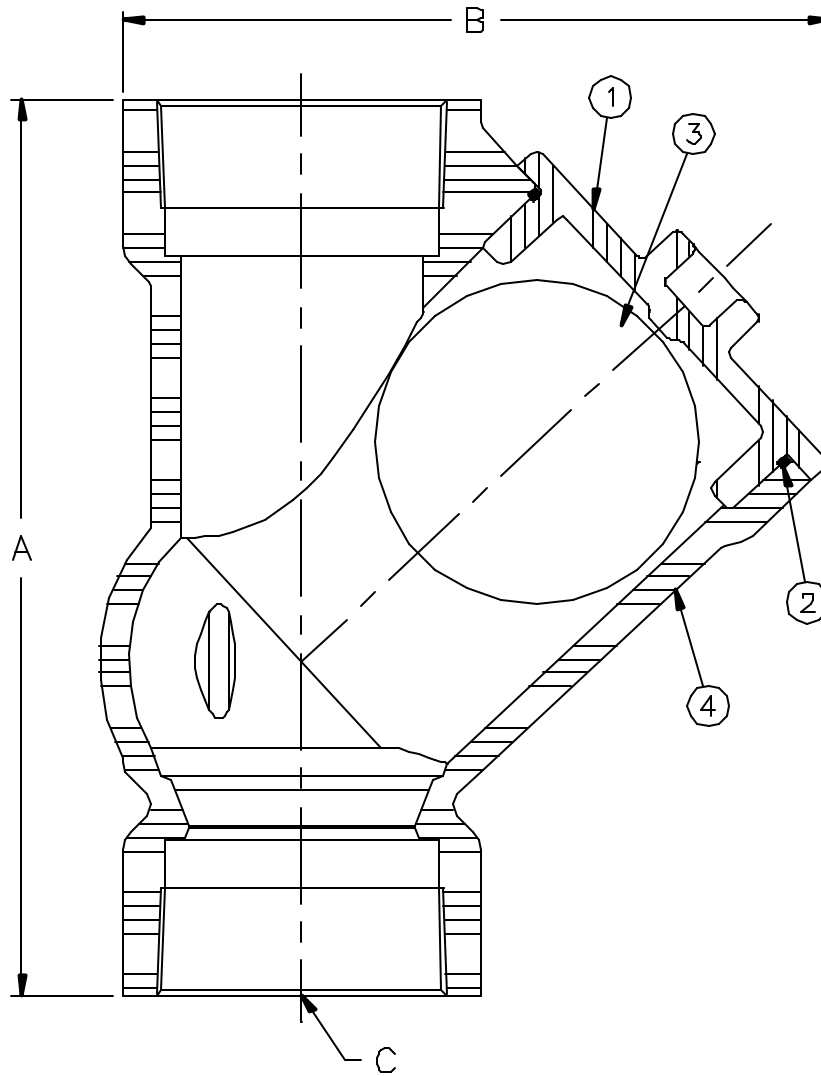


**BALL CHECK VALVE**  
**3"**

**MODEL 208T - THREADED**

**MODEL 208S - SOCKET**



MAX TEMP 140° AND MAX PRESSURE 87 PSI

NOTE: PLASTIC VALVES SHOULD NOT BE BURIED UNDERGROUND

**FOR REFERENCE USE ONLY, SPECIFICATIONS TO CHANGE WITHOUT NOTICE.**

SIZE - C		PART NO.	A	B
3"-NPT		2136-T	10-7/8	8-35/64
3"-SOCKET		2136-S	10-7/8	8-35/64
ITEM	QTY.	DESCRIPTION	MATERIAL	ASTM
1	1	CAP	PVC	---
2	1	O-RING	EPDM	---
3	1	BALL (SINKING)	NITRILE	---
4	1	BODY	PVC	---