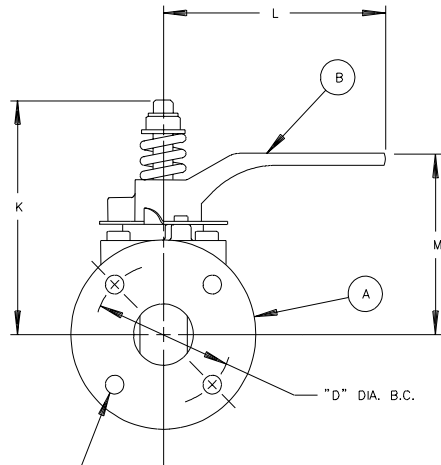
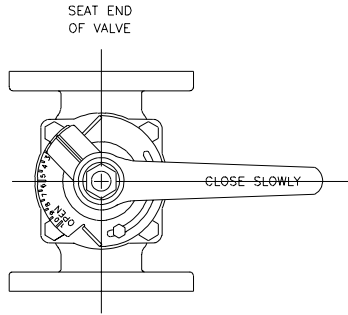
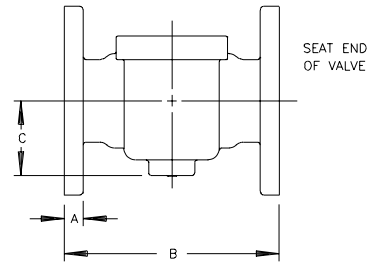


VALVE SIZE	DIMENSIONS												
	INCHES				MILLIMETERS								
	A	B	C	D	E	F	G	H	J	K	L	M	
1/2	.44 11	4.12 105	1.69 43	2.38 60	1/2-13 UNC	NONE	NONE	4	NONE	NONE	4.50 114	4.00 102	4.06 103
3/4	.44 11	4.12 105	1.69 43	2.75 70	1/2-13 UNC	NONE	NONE	4	NONE	NONE	4.50 114	4.00 102	4.06 103
1	.44 11	4.12 105	1.69 43	3.12 79	1/2-13 UNC	NONE	NONE	4	NONE	NONE	4.50 114	4.00 102	4.06 103
1-1/4	.56 14	4.38 111	2.12 54	3.50 89	1/2-13 UNC	2	.56 14	2	NONE	NONE	4.88 124	5.00 127	4.53 115
1-1/2	.56 14	4.38 111	2.12 54	3.88 99	1/2-13 UNC	2	.56 14	2	NONE	NONE	4.88 124	5.00 127	4.53 115
2	.62 16	7.00 178	2.50 64	4.75 121	NONE	NONE	NONE	NONE	.75 19	4	6.19 157	6.50 165	5.22 133
2-1/2	.69 18	7.50 191	3.12 79	5.50 140	NONE	NONE	NONE	NONE	.75 19	4	7.00 178	7.50 191	5.69 145
3	.75 19	8.00 203	3.88 99	6.00 152	NONE	NONE	NONE	NONE	.75 19	4	7.75 197	9.00 229	6.38 162



"E" SIZE OF ALL TAPPED HOLES
 "F" QTY. AND DEPTH OF BLIND TAPPED HOLES PER FLANGE
 "G" QTY. OF TAPPED THRU HOLES PER FLANGE
 "H" DIA. THRU HOLES
 "J" QTY. OF THRU HOLES PER FLANGE



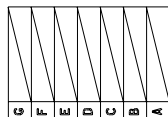
A	VALVE ASSEMBLY
B	ACTUATOR

NOTE:

1. FLANGES ARE FLAT FACED WITH DIAMETER AND DRILLING TO CLASS 125 ANSI STANDARD B16.1, EXCEPT FOR TAPPED HOLES AS INDICATED. SEE A-16375 FOR NON-ANSI FLANGE DATA.
2. FLOW MAY BE IN EITHER DIRECTION.
3. THE WORD "SEAT" IS CAST ON THE VALVE BODY. SEE VALVE INSTALLATION CHART FOR CORRECT END OF VALVE TO BE PRESSURIZED WHEN VALVE IS IN THE CLOSED POSITION.

VALVE-PIPELINE INSTALLATION	
SERVICE	HIGHEST PRESSURE WHEN CLOSED
STANDARD SERVICE (LIQUIDS OR GASES)	DOWNSTREAM SIDE (END OPPOSITE SEAT)
SUSPENDED SOLIDS (PAPER STOCK - 2% OR GREATER, RAW SEWAGE SLUDGE, MINING SLURRIES, WET CEMENT, ECT.)	UPSTREAM SIDE (SEAT END) IF POSSIBLE INSTALL THE VALVE WITH THE MAIN AXIS OF THE PLUG HORIZONTAL .

4. VALVE IS SHOWN IN CLOSED POSITION. CCW ROTATION OPENS VALVE.
5. FLANGED CAST IRON VALVES ARE AVAILABLE ONLY IN SIZES 2", 2 1/2" & 3.



G. S. DeZURIK
 A UNIT OF GENERAL SIGNAL
 SARTELL, MINNESOTA, U.S.A. 56377
 CAMBRIDGE, ONTARIO, CANADA
 SUNBURY, VICTORIA, AUSTRALIA
 CRAMLINGTON, ENGLAND

PEC ECCENTRIC VALVES SIZE 1/2" - 3" FLANGED
 MATERIAL GROUP 1, LV LEVER ACTUATED

DOCT. CODE	DRAWN	JJM	APPROVED	TPK
C1	CHECKED	TPK	DATE	04/23/98

A-49969