

VALVE SIZE	DIMENSIONS					
	A	B	C	D	E	F
1/2	1/2	$\frac{3.12}{79}$	$\frac{1.69}{43}$	$\frac{4.50}{114}$	$\frac{4.00}{102}$	$\frac{4.06}{103}$
3/4	3/4	$\frac{3.12}{79}$	$\frac{1.69}{43}$	$\frac{4.50}{114}$	$\frac{4.00}{102}$	$\frac{4.06}{103}$
1	1	$\frac{3.12}{79}$	$\frac{1.69}{43}$	$\frac{4.50}{114}$	$\frac{4.00}{102}$	$\frac{4.06}{103}$
1-1/4	1-1/4	$\frac{4.50}{114}$	$\frac{2.12}{54}$	$\frac{4.88}{124}$	$\frac{5.00}{127}$	$\frac{4.53}{115}$
1-1/2	1-1/2	$\frac{4.50}{114}$	$\frac{2.12}{54}$	$\frac{4.88}{124}$	$\frac{5.00}{127}$	$\frac{4.53}{115}$
2	2	$\frac{5.25}{133}$	$\frac{2.50}{64}$	$\frac{6.19}{157}$	$\frac{6.50}{165}$	$\frac{5.22}{133}$
2-1/2	2-1/2	$\frac{6.25}{159}$	$\frac{3.12}{79}$	$\frac{7.00}{178}$	$\frac{7.50}{191}$	$\frac{5.69}{145}$
3	3	$\frac{7.75}{197}$	$\frac{3.88}{99}$	$\frac{7.75}{197}$	$\frac{9.00}{229}$	$\frac{6.38}{162}$

A	VALVE ASSEMBLY
B	ACTUATOR

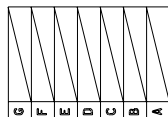
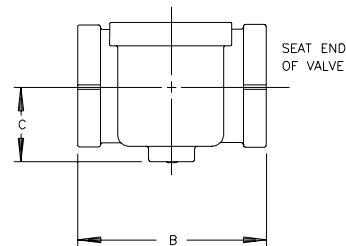
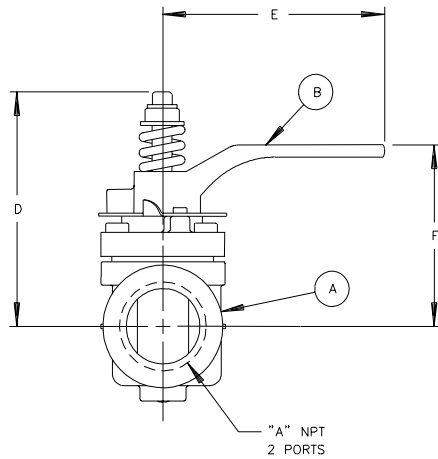
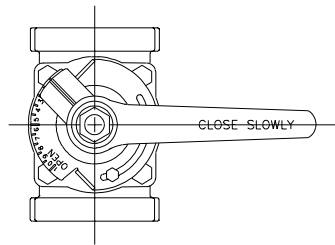
NOTE:

1. ENDS ARE THREADED PER ANSI STANDARD B2.1 FOR TAPERED PIPE THREADS.
2. FLOW MAY BE IN EITHER DIRECTION.
3. THE WORD "SEAT" IS CAST ON THE VALVE BODY. SEE VALVE INSTALLATION CHART FOR CORRECT END OF VALVE TO BE PRESSURIZED WHEN VALVE IS IN THE CLOSED POSITION.

VALVE-PIPELINE INSTALLATION	
SERVICE	HIGHEST PRESSURE WHEN CLOSED
STANDARD SERVICE (LIQUIDS OR GASES)	DOWNSTREAM SIDE (END OPPOSITE SEAT)
SUSPENDED SOLIDS (PAPER STOCK - 2% OR GREATER, RAW SEWAGE SLUDGE, MINING SLURRIES, WET CEMENT, ECT.)	UPSTREAM SIDE (SEAT END) IF POSSIBLE INSTALL THE VALVE WITH THE MAIN AXIS OF THE PLUG HORIZONTAL .

4. VALVE IS SHOWN IN CLOSED POSITION. CCW ROTATION OPENS VALVE.

SEAT END OF VALVE



Gs DeZURIK
A UNIT OF GENERAL SIGNAL
SARTELL, MINNESOTA, U.S.A. 56377
CAMBRIDGE, ONTARIO, CANADA
SUNBURY, VICTORIA, AUSTRALIA
CRAMLINGTON, ENGLAND

PEC ECCENTRIC VALVES SIZE 1/2" - 3" SCREWED
MATERIAL GROUP 1, 2 & 3, LV LEVER ACTUATED

DOCT. CODE	DRAWN	JJM	APPROVED	TPK
C1	CHECKED	TPK	DATE	04/23/98

A-49973