



# Fiberglass Basins & Packaged Lift Stations



SGR Fiberglass Packaged Systems  
Freeflo™ Base Elbow Rail Systems  
Fiberglass Packaged Lift Station Design

# SGR Fiberglass Packaged Systems

TOPP offers an all non-corrosive Stainless Steel Guiderail System (SGR) with a brass disconnect. SGR systems can be installed in our fiberglass basins at our facility or can be sold separately.

The SGR is constructed of 1.5" O.D. 304 stainless steel rails with a removable cast iron ball check valve. The SGR is suitable for most 1.25" and 2" vertical discharge pumps.

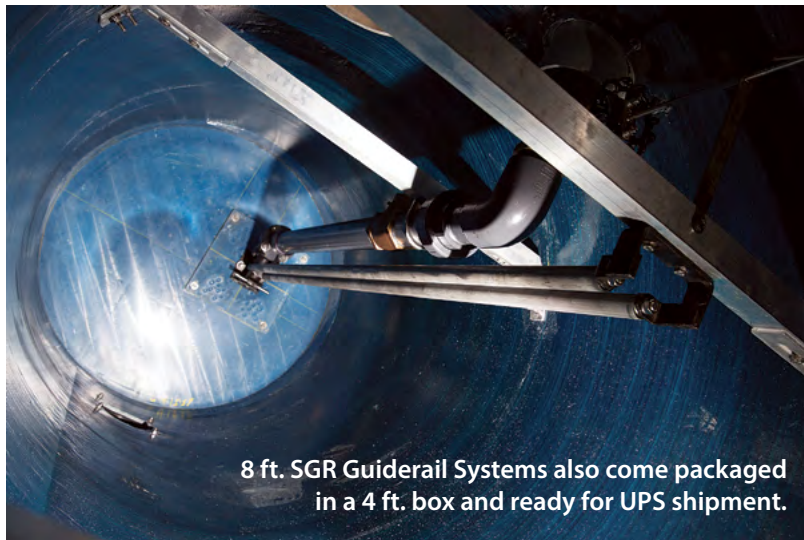
Standard 8' rail systems consist of (2) 4' x 1.5" O.D. stainless steel guiderails. We offer 12", 24" & 48" extensions for applications deeper than 8'.

TOPP's SGR can also be made as a seamless one-piece construction available up to 20' in length.

## Each Package System Includes:

*(Packages available for Simplex & Duplex Systems)*

- Stainless steel wall bracket
- Stainless steel lifting cable
- Stainless steel pump bracket
- Brass quick disconnect
- Cast iron ball check valve
- Sch40 galvanized or stainless steel discharge pipe
- Stainless steel basin brace
- 1.25" or 2" NPT Discharge Kit



8 ft. SGR Guiderail Systems also come packaged in a 4 ft. box and ready for UPS shipment.

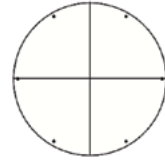
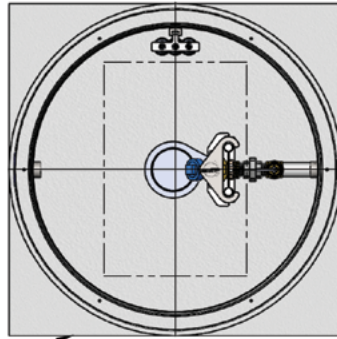


**PUMP INFORMATION**

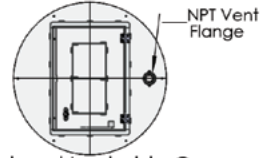
Model NO: \_\_\_\_\_  
 Rating: \_\_\_ GPM \_\_\_ TDH  
 Motor: \_\_\_ HP \_\_\_ RPM  
 Elec: \_\_\_ PH \_\_\_ HZ \_\_\_ V  
 Elec: \_\_\_ FL AMPS

**DISCHARGE PIPE**

1 1/4"  
 2"

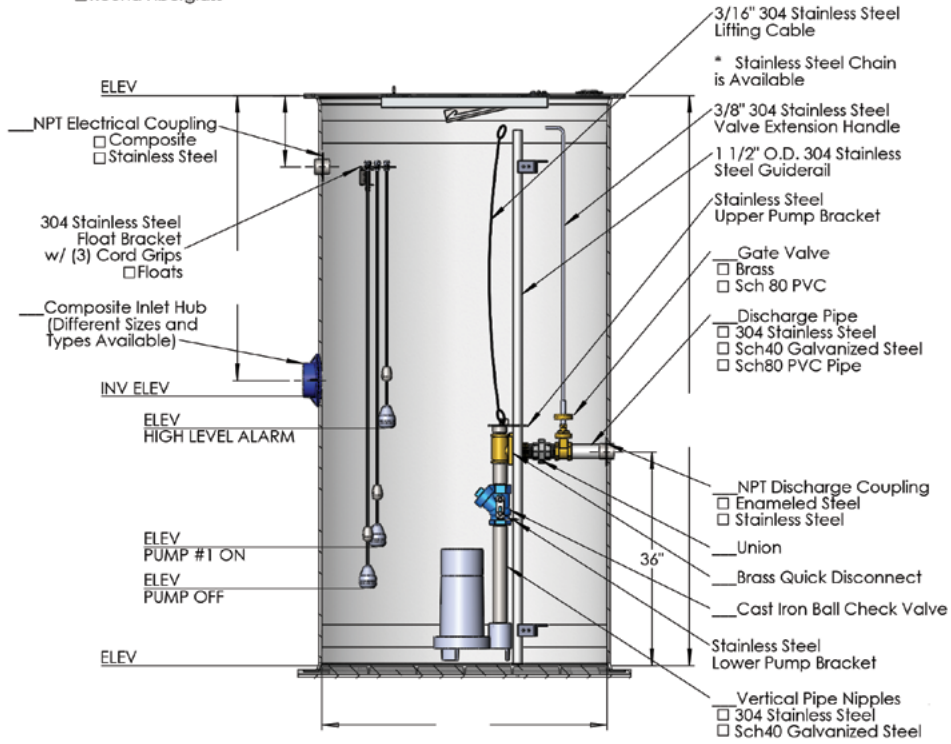


**Solid Cover**  
 Fiberglass  
 Steel

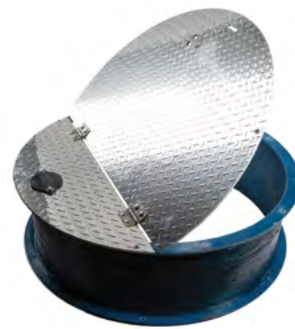


**Hinged and Lockable Cover**  
 Fiberglass  Aluminum  Steel

Anti-Floataction Flange  
 Fiberglass Encapsulated  
 ASTM A-36 Steel  
 Round Fiberglass



**Accessories Include Valve Box, Covers & Extensions**



# Freeflo™ Base Elbow Rail Systems

Freeflo Base Elbow Rail Systems are designed to configure with most vertical and horizontal submersible pumps in the market today. Systems feature durable iron construction, powder coating for corrosion resistance and compact design for easy installation.

## Freeflo™ Base Elbow Rail System Accessories

- Stainless steel or galvanized upper guide rail brackets
- Stainless steel intermediate guide rail brackets for 3/4", 1", 1-1/4" or 2" rails
- Replacement pull-out flanges for all base elbow rail systems
- 2-piece ring and flange assembly
- Specialty pump adapter flanges for Barnes SGV and Hydromatic HPG pumps
- Flange gasket kits for inlet or discharge of 3"
- Alternate sealing rings for 4" and 6" base elbows



Base Elbows



Pull-Out Flange



Rail Brackets



Replacement Flanges



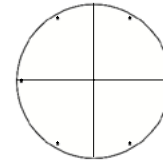
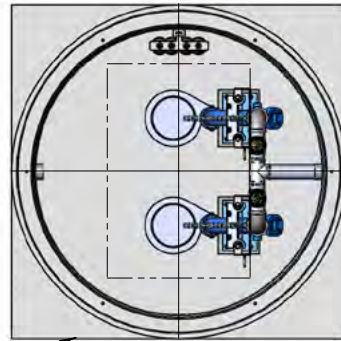
Pump Adapter Flanges

**PUMP INFORMATION**

Model NO: \_\_\_\_\_  
 Rating: \_\_\_\_\_ GPM \_\_\_\_\_ TDH  
 Motor: \_\_\_\_\_ HP \_\_\_\_\_ RPM  
 Elec: \_\_\_\_\_ PH \_\_\_\_\_ HZ \_\_\_\_\_ v  
 Elec: \_\_\_\_\_ FL AMPS

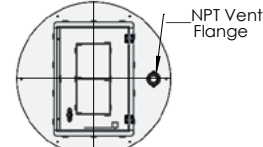
**DISCHARGE PIPE**

- 1 1/4"
- 1 1/2"
- 2"
- 3"



**Solid Cover**

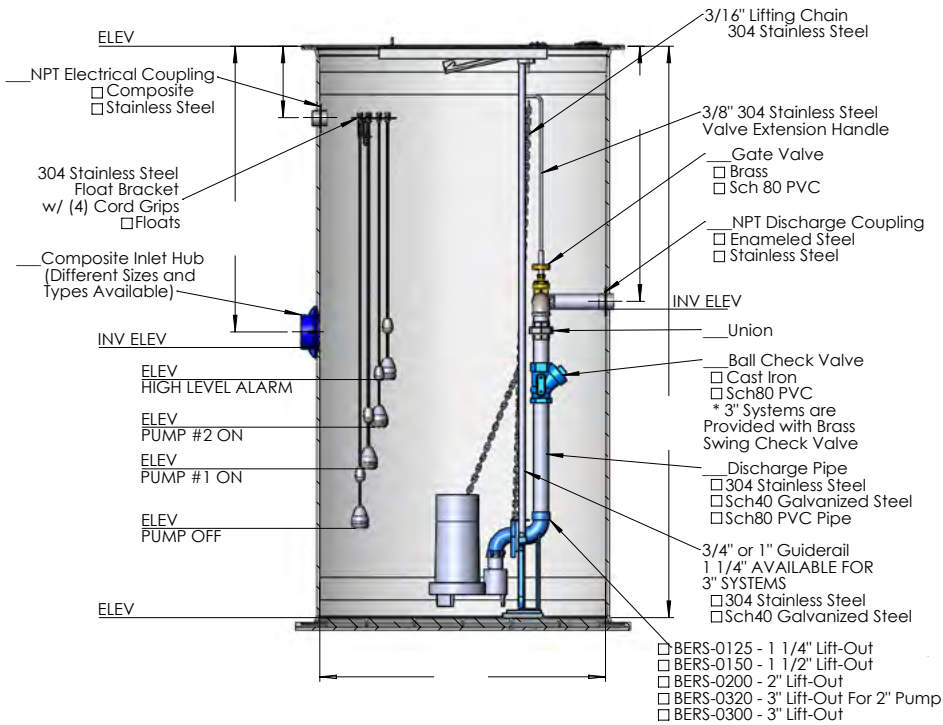
- Fiberglass
- Steel



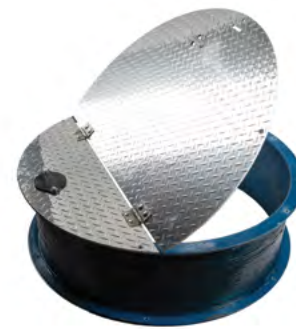
**Hinged and Lockable Cover**

- Fiberglass
- Aluminum
- Steel

- Anti-Floatation Flange
- Fiberglass Encapsulated
- ASTM A-36 Steel
- Round Fiberglass

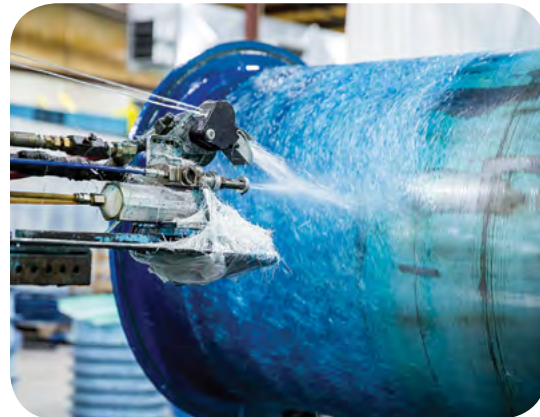


**Accessories Include Valve Box, Covers & Extensions**



## Packaged Lift Station Design Assistance

TOPP's application engineering support is available to assist you with technical considerations, product selections, writing specifications and mounting your proprietary equipment in our fiberglass basins and valve boxes. Our application expertise is further supported by our extensive job records and AutoCAD® and SolidWorks® compatible drawings, which document field tested solutions. These solutions are continually updated to provide you and your customer the best possible solutions to your fiberglass basin and prefabricated lift station needs.

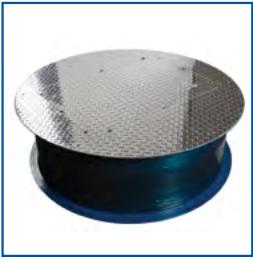




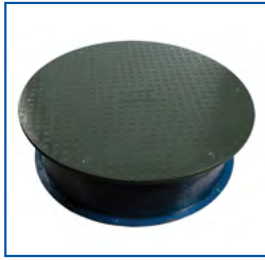
*Lift Stations are also available in Vinyl Ester Resin for high temperature and corrosion resistant applications*



## Covers & Accessories for Our Engineered Products



Aluminum Single  
Hatch Door



Non-Skid Solid  
Fiberglass Covers



Plastic 2-Bolt  
Pipe Grommet Flange



Aluminum Inlet Hubs



Stainless Steel  
& Steel Couplings



Gas-Tight Grommets

See More Accessories on Our Website: [toppindustries.com](http://toppindustries.com)

