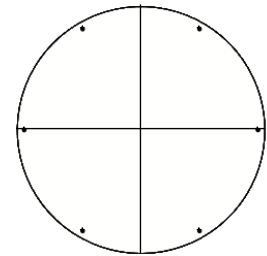
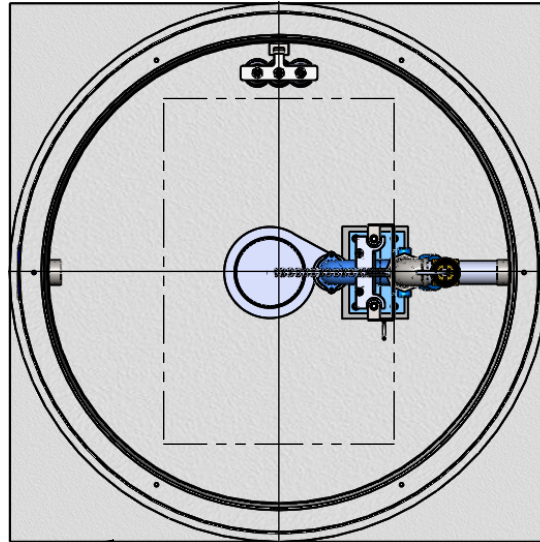


# PUMP INFORMATION

Model NO: \_\_\_\_\_  
 Rating: \_\_\_\_\_ GPM \_\_\_\_\_ TDH  
 Motor: \_\_\_\_\_ HP \_\_\_\_\_ RPM  
 Elec: \_\_\_\_\_ PH \_\_\_\_\_ HZ \_\_\_\_\_ v  
 Elec: \_\_\_\_\_ FL AMPS

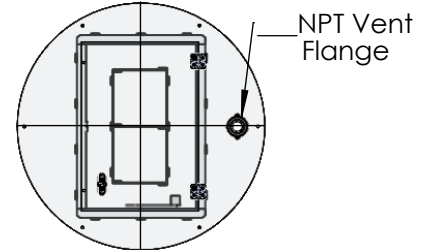
# DISCHARGE PIPE

- 1 1/4"
- 1 1/2"
- 2"
- 3"



## Solid Cover

- Fiberglass
- Steel



## Hinged and Lockable Cover

- Fiberglass
- Aluminum
- Steel

- Anti-Floatation Flange
  - Fiberglass Encapsulated
  - ASTM A-36 Steel
  - Round Fiberglass

