

PROFESSIONAL GRADE BASINS & ACCESSORIES CATALOG



WORLD -CLASS SUMP
AND SEWAGE BASINS
MADE FROM STANDARD
AND PREMIUM RESINS

—
FIBERGLASS

—
STRUCTURAL FOAM

—
POLYETHYLENE



Standard Terms and Conditions of Sale

GENERAL

All sales and transactions are subject to Topp Industries' "Standard Terms and Conditions of Sale" unless otherwise stated in a sales contract.

PRICES

All prices are subject to change without notice and are subject to any increases that may be in effect on the date of shipment. Prices are F.O.B. Rochester, Indiana 46975, unless otherwise stated in the sales contract.

PAYMENT TERMS

Terms and conditions of payment will show on invoices at the time of shipment or as may be otherwise stated in writing by an officer of Topp Industries, Inc. Topp Industries, Inc. reserves the right to add a finance charge on all past due accounts. If a finance charge is added, it will be at the rate of 1½% monthly 18% annually.

ORDERS

All orders taken by Topp Industries, Inc. representatives are subject to acceptance and approval by Topp Industries, Inc. in Rochester, Indiana. Orders entered directly to Topp Industries, Inc. are subject to the same acceptance and approval. Orders that include "custom" specifications must have all specifications provided in writing at the time the order is entered.

PACKAGING

Equipment will be packaged or boxed in accordance with Topp Industries, Inc. standard policies and in such a way as to protect the equipment during shipment. Any "special" packaging requests can be made directly to Topp Industries, Inc. and may or may not require an additional charge.

FREIGHT & SHIPMENT POLICY

Promised ship dates are approximate and in no way affect the terms of sale unless otherwise stated in writing by an officer of Topp Industries, Inc. Requests for specific shipping methods or carriers can be made directly to Topp Industries, Inc. on collect shipments. On full freight allowed shipments Topp Industries, Inc. reserves the right to choose shipping methods and carriers.

WARRANTY

See limited warranty (inside back cover of this catalog).

CLAIMS

No claims for allowances shall be considered unless presented immediately upon the receipt of goods; nor will Topp Industries, Inc. be held responsible for breakage or shortage after equipment is delivered and accepted by the carrier. All claims are subject to the terms and conditions of the Topp Industries, Inc. limited warranty.

RETURNS

Equipment can be returned for credit only after receiving written authorization and RGA number (return goods authorization number) from Topp Industries, Inc. All equipment must carry the RGA number to be accepted by Topp Industries, Inc. All returned equipment is subject to a restocking fee. "Custom" orders or stock equipment that has been modified (e.g. inlet hole cut) cannot be returned.

Table of Contents

3-16	Structural Foam & Poly Basins
17-23	Structural Foam & Poly Covers & Accessories
24-43	Fiberglass Basins
44-50	Fiberglass Extensions, Covers & Accessories
51-52	H2O Covers
53-54	Valve Vaults
55-70	Prefabricated Lift Stations Stainless Steel Guiderail (SGR) Base Elbow Rail System SGR Guiderail Simplex SGR Guiderail Duplex Lift Stations with Valve Box
71	Grease/Oil Interceptor
72	Rehabilitation Manhole
73	Septic Tank Riser, Covers & Accessories
74	Uniseal
75	Limited Warranty

NEW

Structural Foam Basins

& Cover Packages

24" X 48" STRUCTURAL FOAM BASIN



TOPP's new 24" x 48" Structural Foam Basin with snap on anti-float is hot off the press. This innovative design has the durability that you need in a lift station with the lead time you need to take care of all of your projects.

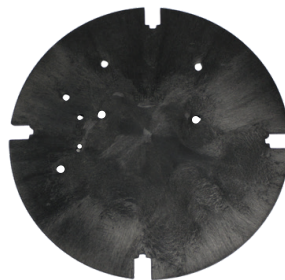
FEATURES

- Manufactured with high quality structural foam material
- Includes snap on anti-float
- Drop-in stud plate
- 1/4" wall thickness



Snap on anti-float

STRUCTURAL FOAM BASIN	24" X 48"
US Gallons	83
Basin w/snap on Anti-float	E8-2448
Drop-In Stud Plate	E8-2448 TS



Drop-in stud plate

Structural Foam Basins

& Cover Packages

NEW EVOLUTION E-SERIES

FEATURES

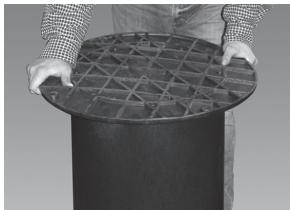
- Engineered to incorporate the ultimate blend of value and improved design features into a single platform
- 180° flat pockets for positive grommet seal
- Self-tapping hardware - no inserts to corrode or protect
- No external stacking ribs to interfere with external filtration
- All covers gas and odor tight with included gasket kit
- Approved for use in radon mitigation applications
- Improved design provides increased structural integrity with less material for improved value and ease of handling
- Accommodates 4" composite inlet hubs



DETAIL	18" X 22"	18" X 24"	18" X 30"	24" X 24"	24" X 36"	30" X 36"
US Gallons Capacity	22	23	30	45	68	105
Undrilled - No Grommet	E2-2200	E7-1824	E3-2400	E4-3100	E5-3200	E6-4100
Perforated - Undrilled - No Grommet	E2-2200P					

STRUCTURAL FOAM ANTI-FLOAT RING

Structural Foam Anti-Float Ring SFAF



FEATURES

- Attaches securely and easily to the Topp 18 x 22 and 18 x 30 Evolution E-Series Basins
- Easy handling
- Provides a stable environment in high water situations

NOTES

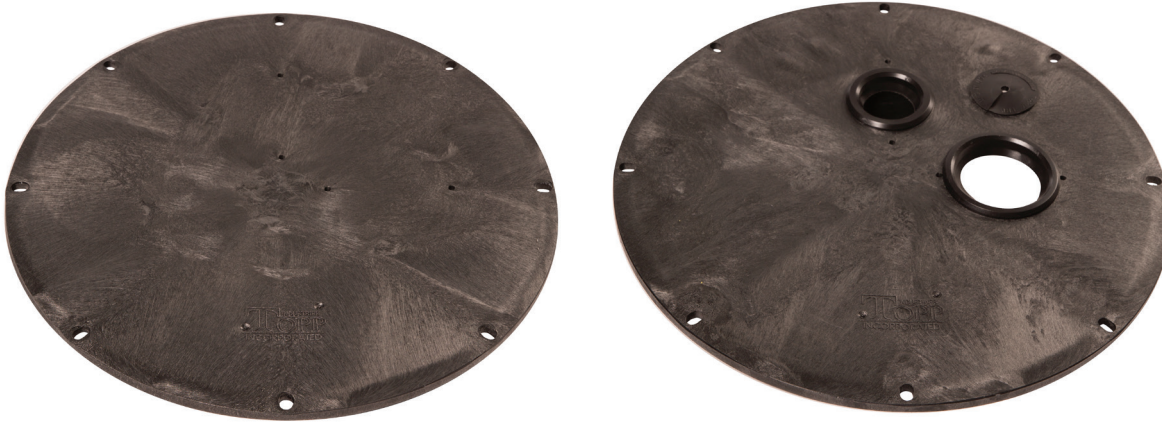
+ Includes hardware pack (bolts, washers and gasket tape)

* Includes hardware pack, discharge, vent and ECG

^ (2) 5" ID holes drilled 10-1/2" down CL-180° apart



NEW EVOLUTION E-SERIES STRUCTURAL FOAM COVERS



DETAIL	18"	24"	30"
E-Series Solid Foam Cover +	E-C18EWSF	E-C24EWSF	
E-Series Single Hole Foam Cover (ECG Only)*	E-C18EWSFE	E-C24EWSFE	
E-Series Simplex Foam Cover w/Gaskets*	E-C18G	E-C24G	
14g Solid Steel Cover*	C18WSL	C24WSL	
14g Single Hole Steel Cover+	C18WSE		
14g Simplex Steel Cover*	C18SS	C24SSL	
2-Piece 14g Simplex Steel Cover*	C18TS		
1/4" Solid Steel Cover+		C24WSH	C30WS
1/4" Simplex Steel Cover*		C24SSH	C30SSA
12g Simplex Steel Cover (1) Pump Access Plate*		C24-12SSA	C30-12SSA
12g Duplex Steel Cover (2) Pump Access Plate*			C30-12DSA
1/2" Non-Skid Simplex Fiberglass Cover w/Access*			C30SFA
1/2" Non-Skid Duplex Fiberglass Cover w/Access*			C30DFA
Solid Non-Skid Fiberglass Cover	C18WFNSTP	C24WFNSTP	C30WFNSTP
Simplex Non-Skid Fiberglass Cover	C18FSNSTPP	C24FSNSTP	C30FSNSTP
E-Series Slotted Foam Cover	E-C18SLOT		
E-Series Solid Foam Cover	E-C18EWSF	E-C24EWSF	
E-Series Single Hole Foam Cover	E-C18EWSFE	E-C24EWSFE	
E-Series Simplex Foam Cover-2X2 Grom	E-C18G-2	E-C24G-2	
E-Series Simplex Foam Cover-2X3 Grom	E-C18G-3	E-C24G-3	
E-Series Simplex Foam Cover w/Flanges	E-C18F	E-C24F	
E-Series Simplex Two-Piece Foam Cover	E-C18TSF		

NOTES

+ Includes hardware pack (bolts, washers and gasket tape)

* Includes hardware pack, discharge, vent and ECG

^ (2) 5" ID holes drilled 10-1/2" down CL-180° apart

FEATURES

- 180° flat pockets for positive grommet seal
- Self-tapping hardware - no inserts to corrode or protect
- No external stacking ribs to interfere if using external filtration
- All covers gas and odor tight with included gasket kit
- Approved for use in radon mitigation applications
- Improved design provides increased structural integrity with less material for improved value and ease of handling

Poly Basins

Polyethylene Basin & Cover Packages

LOW PRO SUMP & SEWAGE BASINS



FEATURES

- Rotationally molded with high quality polyethylene material
- Unique, low profile shape is perfect for those challenging areas that are difficult to fit a traditional shaped basin into
- Durable, lightweight and holds extensive volume of liquid

24", 30", 36", 42", 48"	DIAMETER		DIAMETER	VOLUME
	OUTSIDE"	HEIGHT"	COVER"	US GALLONS
LOPRO24	28	13-3/8	21	23.5
LOPRO30	34	12-5/8	28	36.5
LOPRO36	40	12-5/8	34	51.5
LOPRO42	46	12-5/8	40	68.0
LOPRO48	40	12-5/8	46	90.0



Poly Basins

Polyethylene Basin & Cover Packages SINK TRAY SYSTEMS



**12" x 14" x 16"
RECTANGULAR SUMP BOX SYSTEM**

B1000

w/1-1/2" FPT Inlet

11 US Gallons Capacity

Vent & Discharge "Ringer" Grommets

- Perfect for larger capacity needs of commercial applications such as restaurants, cocktail lounges and other related areas.



**12-1/2" x 15"
SUMP PUMP BASIN**

E11-1100

Durable Structural Foam

7.3 US Gallons Capacity

- Ideal for home water handling needs, wet bars, laundry drainage, grey wastewater drainage and more



**13" x 13"
RECESSED ROLLED TOP**

B11SPRRT "Lil Blue"

B11SPBRRT "Lil Black"

7 US Gallons Capacity

1-1/2" Vent

Discharge "Ringer" Grommets

- Recessed Roll Top provides a neat and clean appearance for under the bar or in the open.



**E-SERIES
"THE CUBE" SUMP BASIN**

E1-1100

Corrosion-Resistant Structural Foam

11 US Gallons Capacity

Gas and Water Tight Cover

- Perfect for larger capacity needs of commercial applications such as restaurants, cocktail lounges and other related areas.



**12-1/2" x 15"
CRAWL SPACE SUMP PUMP BASIN**

E11-1100-PERF Crawl Space

Durable Structural Foam

7.3 US Gallons Capacity

Lightweight

- Provides the best solution for waterproofing in the home.
- Custom designed and fitted for crawl spaces areas
- Perfect solution for dewatering under homes, basements or anywhere water may accumulate

Poly Basins

Polyethylene Basin & Cover Packages



FEATURES

- Designed specifically for long-term reliability with extreme economy in mind
- Manufactured using the highest grade of polyethylene
- Offering years of trouble-free and quality performance
- True Radon protection
- Cover Options

DETAIL	14" X 24"	18" X 22"	18" X 24"
US Gallons Capacity	15	22	24
Undrilled - No Grommet	B1400	B2200	B1824
Single Hole Poly Cover	C14WPE		
Poly Economy Slotted Cover		C18LPN	C18LPN
14g Solid Steel Cover+		C18WSL	C18WSL
14g Simplex Steel Cover		C18SS	C18SS
14g 2-1/2" Single Hole Steel Cover+			C18WSE
2-Piece 14g Simplex Steel Cover		C18TS	
12g Simplex Steel Cover (1) Pump Access Plate			
Solid Non-Skid Fiberglass Cover		C18WFNSTP	C18WFNSTP
Simplex Non-Skid Fiberglass Cover		C18FSNSTP	C18FSNSTP
E-Series Slotted Foam Cover		E-C18SL0T	E-C18SL0T
E-Series Solid Foam Cover		E-C18EWSF	E-C18EWSF
E-Series Single Hole Foam Cover		E-C18EWSFE	E-C18EWSFE
E-Series Simplex Foam Cover-2X2 Grom		E-C18G-2	E-C18G-2
E-Series Simplex Foam Cover-2X3 Grom		E-C18G-3	E-C18G-3
E-Series Simplex Foam Cover w/Flanges		E-C18F	E-C18F
E-Series Simplex Two-Piece Foam Cover		E-C18TSF	E-C18TSF

NOTES

+ Includes hardware pack (bolts, washers and gasket tape)

* Includes hardware pack, discharge, vent and ECG

^ (2) 5" ID holes drilled 10-1/2" down CL-180° apart

Poly Basins

Polyethylene Basin & Cover Packages



DETAIL	18" X 30"	24" X 24"	24" X 30"	24" x 36"
US Gallons Capacity	30	43	40	65
Undrilled - No Grommet	B2400	B3100	B3300	B3200
14g Simplex Steel Cover*	C18SS	C24SSL	C24SSL	C24SSL
2-Piece 14g Simplex Steel Cover	C18TS			
12g Simplex Steel Cover (1) Pump Access Plate		C24-12SSA	C24-12SSA	C24-12SSA
Solid Non-Skid Fiberglass Cover	C18WFNSTP	C24WFNSTP	C24WFNSTP	C24WFNSTP
Simplex Non-Skid Fiberglass Cover	C18FSNSTP	C24FSNSTP	C24FSNSTP	C24FSNSTP
E-Series Slotted Foam Cover	E-C18SLOT			
E-Series Solid Foam Cover	E-C18EWSF	E-C24EWSF	E-C24EWSF	E-C24EWSF
E-Series Single Hole Foam Cover	E-C18EWSFE	E-C24EWSFE	E-C24EWSFE	E-C24EWSFE
E-Series Simplex Foam Cover-2X2 Grom	E-C18G-2	E-C24G-2	E-C24G-2	E-C24G-2
E-Series Simplex Foam Cover-2X3 Grom	E-C18G-3	E-C24G-3	E-C24G-3	E-C24G-3
E-Series Simplex Foam Cover w/Flanges	E-C18F	E-C24F	E-C24F	E-C24F
E-Series Simplex Two-Piece Foam Cover	E-C18TSF			

Poly Basins

Polyethylene Basin & Cover Packages

SIDE-VENT BASINS



FEATURES

- Developed with the sole purpose of ease of maintenance -- Intact pipe vent means no more cutting and repairing for regular pump maintenance
- The 23 x 31 offers 50% more volume than the industry standard 18 x 30 basin

DETAIL	18" x 22"	18" X 30"	23" x 31"
2" VENT			
US Gallons Capacity	22	30	65
Undrilled - No Grommet	B2200SV-2	B2400SV-2	B2700SV-2
w/4" Grommet Hub - Inlet Undrilled	B22003SV-2	B24002SVUD-2	B27002SVUD-2
14g Simplex Steel Cover*	E-C18GSV	C18SSSV	C27SSSV
E-Series Simplex Foam Cover		E-C18GSV	
3" VENT			
Undrilled - No Grommet	B2200SV-3	B2400SV-3	B2700SV-3
14g Simplex Steel Cover*	E-C18GSV	C18SSSV	C27SSSV
E-Series Simplex Foam Cover		E-C18GSV	

NOTES

+ Includes hardware pack (bolts, washers and gasket tape)

* Includes hardware pack, discharge, vent and ECG

^ (2) 5" ID holes drilled 10-1/2" down CL-180° apart

Poly Basins

Polyethylene Basin & Cover Packages

ROLLED TOP BASINS



DETAIL	18" X 30"	30" X 36"	36" X 36"
US Gallons Capacity	30	103	154
Undrilled - No Grommet	B2400RT	B4100RT	B5100RT
14g Simplex Steel Cover	C18SS		
12g Simplex Steel Cover (1) Pump Access Plate*		C30-12SSA	C36-12SSA
12g Duplex Steel Cover (2) Pump Access Plate*		C30-12DSA	C36-12DSA
Solid Non-Skid Fiberglass Cover	C18WFNSTP	C30WFNSTP	
Simplex Non-Skid Fiberglass Cover	C18FSNSTP	C30FSNSTP	
E-Series Slotted Foam Cover	E-C18SLOT		
E-Series Solid Foam Cover	E-C18EWSF		
E-Series Single Hole Foam Cover	E-C18EWSFE		
E-Series Simplex Foam Cover-2X2 Grom	E-C18G-2		
E-Series Simplex Foam Cover-2X3 Grom	E-C18G-3		
E-Series Simplex Foam Cover w/Flanges	E-C18F		
E-Series Simplex Two-Piece Foam Cover	E-C18TSF		

FEATURES

- Design dramatically reduces service time for pump maintenance

NOTES

+ Includes hardware pack (bolts, washers and gasket tape)

* Includes hardware pack, discharge, vent and ECG

^ (2) 5" ID holes drilled 10-1/2" down CL-180° apart

Poly Basins

Polyethylene Basin & Cover Packages

RECESSED ROLLED TOP BASINS



DETAIL	18" X 22"	18" X 24"	18" X 30"	TORQUE STOP 18" x 30"
US Gallons Capacity	22	24	30	30
Undrilled - No Grommet	B2200RRT	B1824RRT	B2400RRT	B2400RRTS
14g Solid Steel Cover*	C18WSL	C18WSL		
14g Simplex Steel Cover*	C18SS	C18SS	C18SS	C18SS
2-Piece 14g Simplex Steel Cover*	C18TS	C18TS	C18TS	C18TS
12g Simplex Steel Cover (1) Pump Access Plate*			C24-12SSA	
12g Duplex Steel Cover (2) Pump Access Plate*			C30-12DSA	
Solid Non-Skid Fiberglass Cover	C18WFNSTP	C18WFNSTP	C18WFNSTP	C18WFNSTP
Simplex Non-Skid Fiberglass Cover	C18FSNSTPP	C18FSNSTP	C18FSNSTP	C18FSNSTPP
E-Series Slotted Foam Cover	E-C18SLOT	E-C18SLOT	E-C18SLOT	E-C18SLOT
E-Series Solid Foam Cover	E-C18EWSF	E-C18EWSF	E-C18EWSF	E-C18EWSF
E-Series Single Hole Foam Cover	E-C18EWSFE	E-C18EWSFE	E-C18EWSFE	E-C18EWSFE
E-Series Simplex Foam Cover-2X2 Grom	E-C18G-2	E-C18G-2	E-C18G-2	E-C18G-2
E-Series Simplex Foam Cover-2X3 Grom	E-C18G-3	E-C18G-3	E-C18G-3	E-C18G-3
E-Series Simplex Foam Cover w/Flanges	E-C18F	E-C18F	E-C18F	E-C18F
E-Series Simplex Two-Piece Foam Cover	E-C18TSF	E-C18TSF	E-C18TSF	E-C18TSF

Poly Basins

Polyethylene Basin & Cover Packages

RECESSED ROLLED TOP BASINS



DETAIL	24" X 24"	24" X 30"	24" X 36"
US Gallons Capacity	43	54	65
Undrilled - No Grommet	B3100RRT	B3300RRT	B3200RRT
14g Simplex Steel Cover*	C24SSL	C24SSL	C24SSL
12g Simplex Steel Cover (1) Pump Access Plate*	C24-12SSA	C24-12SSA	C24-12SSA
Solid Non-Skid Fiberglass Cover	C24WFNSTP	C24WFNSTP	C24WFNSTP
Simplex Non-Skid Fiberglass Cover	C24FSNSTP	C24FSNSTP	C24FSNSTP
E-Series Solid Foam Cover	E-C24EWSF	E-C24EWSF	C24EWSF
E-Series Single Hole Foam Cover	E-C24EWSFE	E-C24EWSFE	E-C24EWSFE
E-Series Simplex Foam Cover-2X2 Grom	E-C24G-2	E-C24G-2	E-C24G-2
E-Series Simplex Foam Cover-2X3 Grom	E-C24G-3	E-C24G-3	E-C24G-3
E-Series Simplex Foam Cover w/Flanges	E-C24F	E-C24F	E-C24F

FEATURES

- Manufactured with the highest grade of polyethylene
- Recessed rolled top flange offers extra strength and ease of installation
- Covers fit flush with encapsulated threaded cover bolt
- Offering years of trouble-free and quality performance

NOTES

+ Includes hardware pack (bolts, washers and gasket tape)

* Includes hardware pack, discharge, vent and ECG

^ (2) 5" ID holes drilled 10-1/2" down CL-180° apart

Poly Basins

Polyethylene Basin & Cover Packages

SUPER BLUE BASINS



DETAIL	18" X 24"	18" X 30"
US Gallons Capacity		
Undrilled - No Grommet	SHDB240	SHDB300
Single Hole Steel Sump Cover	C18WSE	C18WSE
14g Simplex Steel Cover*	C18SS	C18SS
Solid Non-Skid Fiberglass Cover	C18WFNSTP	C18WFNSTP
Simplex Non-Skid Fiberglass Cover	C18FSNSTP	C18FSNSTP
E-Series Slotted Foam Cover	E-C18SLOT	E-C18SLOT
E-Series Solid Foam Cover	E-C18EWSF	E-C18EWSF
E-Series Single Hole Foam Cover	E-C18EWSFE	E-C18EWSFE
E-Series Simplex Foam Cover-2X2 Grom	E-C18G-2	E-C18G-2
E-Series Simplex Foam Cover-2X3 Grom	E-C18G-3	E-C18G-3
E-Series Simplex Foam Cover w/Flanges	E-C18F	E-C18F
E-Series Simplex Two-Piece Foam Cover	E-C18TSF	E-C18TSF
SUPER BLUE POLY EXTENSION	18 X 4	18 X 12
Poly Extension+	SHDB1806E	SHDB1812E

FEATURES

- Twice the Thickness
- Twice the weight
- Flagship poly basin
- More durable than structural foam
- Easier to work with than fiberglass

NOTES

+ Includes hardware pack (bolts, washers and gasket tape)

* Includes hardware pack, discharge, vent and ECG

^ (2) 5" ID holes drilled 10-1/2" down CL-180° apart

Poly Basins

Polyethylene Basin & Cover Packages

CORRUGATED WALL BASINS



CORRUGATED BASINS	18" X 24"	18" X 30"	16" X 24"
US Gallons	26	34	22
Basin Only	B2300GT	B2400GT	B2500GT
Weight	7 LB	9 LB	7 LB

- 8 inserts included in the flange to ensure gasket tight application
- Accepts most 18" TOPP Covers



ELEVATOR BASIN



ELEVATOR BASIN	18" X 22"	24" X 36"
US Gallons	22	24
Basin Only	B2200	B3200
1/4" Thick Perforated Steel Cover*	C18ELE	C24ELE
Evolution E-Series Basin	E2-2200	E5-2400

- Economy elevator pit basin package designed for water runoff which helps keep the environment safe.
- Cover provided with discharge flange and ECG.
- Specify basin size for composite hubs, fiberglass sleeves
- Elevator Basin increases pump performance

IAPMO LISTED BASIN



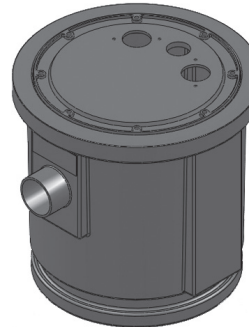
IAPMO LISTED BASIN	18" X 30"
US Gallons	
Basin Package w/10g Simplex Steel Cover*	B24SSIL

- IAPMO listed
- 1/4" thick Wall Sewage Ejector Basin is provided with 2" Vent & Discharge Grommets, 16 S.S. bolts & washers and water & gas-tight cover gasket
- Material withstands a 10-foot stack test

NOTES

- + Includes hardware pack (bolts, washers and gasket tape)
- * Includes hardware pack, discharge, vent and ECG
- ^ (2) 5" ID holes drilled 10-1/2" down CL-180° apart

ULTRA-POLY BASIN



ULTRA-POLY BASIN	24" X 24"
US Gallons	
Ultra-Poly Basin	B2424
14g Simplex Steel Cover *	C18SS
Simplex Non-Skid Fiberglass Cover*	C18FSNSTP
E-Series Simplex Foam Cover-2X2 Grom	E-C18G-2
E-Series Simplex Foam Cover-2X3 Grom	E-C18G-3

- Unique design gives added support to a shallow clearance
- High capacity Poly Basin
- Compatible with all our 18" covers.
- Heavy duty version available
- 4 x 4 & 4 x 3 flexible coupling

Poly Basins

Polyethylene Basin & Cover Packages

TOPP CAPP



FEATURES

- Constructed of durable, weatherproof and corrosion resistant polyethylene resin
- 6" raised above ground to eliminate fluid resting on top
- Gas and water tight with appropriate seals
- Appropriate for use in home applications, as well as outdoors
- Can be shipped UPS or common carrier

	FIT	DIAMETER	DIAMETER	DIAMETER	
	BASIN"	OUTSIDE"	INSERT"	COVER"	WEIGHT
TOPCAPP24	24	28	21.5"	18	5 LB
TOPCAPP30	30	34	28.0	24	6 LB
TOPCAPP36	36	40	34.0	30	7 LB
TOPCAPP42	42	46	40.0	36	9 LB
TOPCAPP48	48	54	46.0	42	12 LB



Poly Basins

Polyethylene Basin & Cover Packages

POLY EXTENSIONS



POLY EXTENSIONS	18" X 6"	18" X 12"	24" X 6"	24" X 12"
Recessed Roll Top Poly Extensions+	B1806EXT	B1812EXT	B2406EXT	B2412EXT
Standard Poly Extensions	E-1806EXT	E-1812EXT		

- Quickly increase your basin height and help prevent debris from entering basin during installation
- Provide a flush surface when you assemble the cover

NOTES

+ Includes hardware pack (bolts, washers and gasket tape)

* Includes hardware pack, discharge, vent and ECG

^ (2) 5" ID holes drilled 10-1/2" down CL-180° apart



Poly Basins

Polyethylene Basin & Cover Packages

COVERS

NOTES

* Includes hardware pack (bolts, washers and gasket tape)

* Includes hardware pack, discharge, vent and ECG

^ (2) 5" ID holes drilled 10-1/2" down CL-180° apart



14G SOLID STEEL COVERS		18"	24"
Basins+		C18WSL	C24WSL
Weight		8 lbs	12 lbs

1/4" THICK SOLID STEEL COVERS		18"	24"	30"	36"
Basins+		C18WSH	C24WSH	C30WS	C36WS
Weight		23 lbs	48 lbs	65 lbs	90 lbs



SLOTTED POLYETHYLENE COVERS		14"	18"
Structural Foam Finger Slot Cover		C14WPE	
Fits 18" Corrugated Basins			C23SLP
Economy Slotted for 18" Basins			C18LPN
E-Series Slotted Foam Cover			E-C18SLOT

- Engineered for quick cover installation and removal
- Designed for pedestal pumps and for non-radon sump basinsy



SOLID FIBERGLASS COVERS		18"	24"	30"	36"
Solid Non-Skid Fiberglass Cover+		C18WFNSTP	C24WFNSTP	C24WFNSTP	C24WFNSTP
Thick				1/2"	1/2"
Weight				29 lbs	40 lbs

- Corrosion resistance
- Great choice when the vent, discharge, and power cords are going through the basin wall



SOLID STRUCTURAL FOAM COVER		18"
For 18" ID Basins+		E-C18EWSF

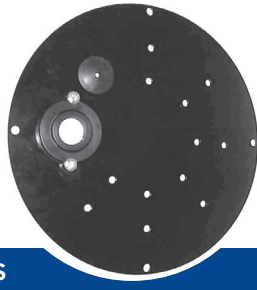


SINGLE HOLE COVERS		18"
Steel Cover for 18" Basin+		C18WSE
Structural Foam Cover+		E-C18EWSFE

Poly Basins

Polyethylene Basin & Cover Packages

COVERS

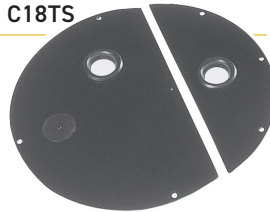


ELEVATOR COVERS	18"	24"
1/4" thick Perforated Steel*	C18ELE	C24ELE

- Designed for water run-off to help keep the environment safe

TWO-PIECE SIMPLEX STEEL COVER	18"
For 18" ID Basins*	C18TS

- Provides a quicker access to your pump
- never cut vent pipe with this epoxy-coated cover



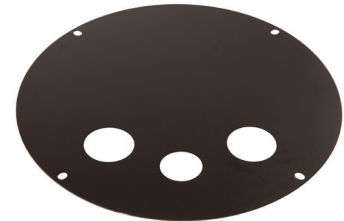
CLEARVIEW SUMP & SEWAGE COVER 18"	
For 18" ID Basins*	C18-PC

- Shatter proof molded polycarbonate
- Available in 5 different configurations

SIMPLEX NON-SKID FIBERGLASS COVER	18"	24"	30"	36"
Simplex Non-Skid Fiberglass Cover*	C18FSNSTP	C24FSNSTP	C30FSNSTP	C36FSNSTP

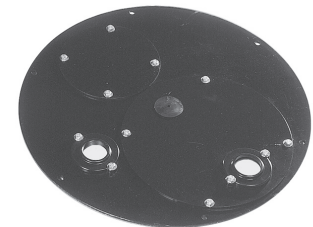
SIMPLEX STEEL COVERS	18"	23"	24"
14g Steel*	C18SS		C24SSL
Weight	8 lbs		14 lbs
1/4" Thick*	C18SSH		C24SSH
Weight	23 lbs		50 lbs
14g for ID Side-Vent Basins#	C18SSV	C27SSSV	
Weight	8 lbs	12 lbs	

- Epoxy coating provides a tough and durable surface



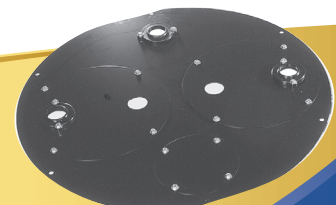
SIMPLEX STEEL COVERS WITH ACCESS PLATE	24"	30"	36"
12g Steel Basins*	C24WSH	C30WS	C36WS
Weight	40 lbs	40 lbs	70 lbs

- 4-bolt pump access plate offers ease in the basin or pump installation and removal
- Blank inspection plate provides quicker access for pump inspection



DUPLEX STEEL COVER W/ ACCESS PLATE	30"	36"
12g Steel Basins*	C30WS	C36WS
Weight	44 lbs	75 lbs

- Includes two pump access plates to aid pump installation and removal
- Blank inspection plate provides quicker access for pump inspection



Poly and Structural Foam Basin

Polyethylene and Structural Foam Basin & Cover Packages

ACCESSORIES



VIEW PORT INSPECTION WINDOW

VPIW

- Add to any sump basin with a sealed lid
- Handy for applications where visibility is needed



U-STOP

4" Bushing with stop

USTP

- requires a 5" hole
- Great for sump covers and slab penetration
- Stops pipe at base of bushing
- 4" schedule for 40 pipe only



DISCHARGE PIPE

29' LENGTH

2" SCH 40 PVC	DP200P4
2" SCH 80 PVC	DP200P8

- Add this SCH40 or SCH80 discharge pipe to your order and provide a job ready pack



COMPRESSION NUT PVC SWING CHECK VALVES

1-1/4" - 1-1/2" Combination	CVSUMPC
2"	CV200C

- Easy installation and removal with compression seal connections.



HIGH WATER ALARMS

Nema 1 Indoor Alarm
w/10' Mini Mercury Float HWA100

Nema 1 Indoor Alarm
w/15' Mini Mercury Float HWA125

- Constructed of a non-metallic enclosure and safe 9-volt operation through use of a 120 volt-to-9 volt transformer
- Quick push tab connectors allow time saving float switch installation
- Power monitor lamp will go out if power to the system fails. The 85db solid tone will also alert you
- Metallic enclosure is designed for sump and sewage basins, septic tanks, dosing and storage tanks
- Additional 5 ft. mini float lengths available
- UL Listed and CUL (Canada)



2" BALL/CHECK VALVE COMBINATION

2" Ball/Check Valve Combo BCX-2000-S

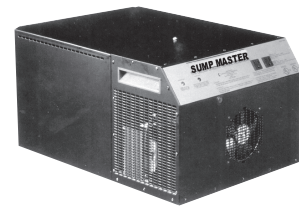
- One-piece ball/check valve combination with a true union design
- Allows removal of check valve for cleaning or repairs



SOLVENT WELD PVC CHECK VALVE

Tru-Union CV200TU

- Full flow design
- No metallic parts, corrosion resistant
- Angle seat and weighted flapper design for low pressure seal
- Ideal for close working areas
- Easy pipe alignment
- Designed for both horizontal and vertical usage



SUMPMASTER

SumpMaster

SUMPMASTER

- Fully-automatic auxiliary power source for residential flood control
- Designed with the homeowner in mind. Installs in minutes with no modifications or piping changes
- Engineered to work with any new or existing 115V sump pump up to 1/2 H.P.
- SUMPMASTER will power your existing sump pump in an outage by taking D.C. battery power and converting to 115 VAC power (when standard power fails or is not available)
- UL Listed and CUL (Canada)



RUBBER SLEEVE FULL FLOW SWING CHECK VALVES

1-1/4" - 1-1/2" Combination CVSUMPR

2" CV200R

- Engineered to increase performance
- Easy installation



CLEAR VIEW CHECK VALVE

1-1/4" - 1-1/2" Combo CVSUMPR-C

2" CVR200R-C

- Shatter proof molded polycarbonate
- Inspect with ease



THREADED CHECK VALVE

1-1/4" ECV200S

1-1/2" ECV200TU

- Screws directly into the pump

Poly and Structural Foam Basin

Polyethylene and Structural Foam Basin & Cover Packages

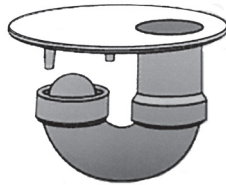
ACCESSORIES



TORQUE STOP

TS1830

- Generic Pump Configuration for 18" x 30" Basins
- Prevents pump rotation
- Protects the basin bottom with this 1/8" drop-in polyethylene torque stop



DRANJER - SUMP COVER DRAIN

4.5" x 4.5"

DJSCDTH

- Installs from under sump lid
- Requires an irregular shaped hole in the sump lid approx. 3" x 4"
- Plastic "J" type drain w/weighted ball keeps vapors from flowing up, while allowing water to flow down
- Use FS2 model if space is an issue



STOP "N" SEAL INLET HUB

Pipe seal for 4" piping through a 5" hole

H400R

Pipe Seal for 4" SRD 35 piping through a 5" hole

H400R35

- Pipe seal for 4" piping
- Piping will penetrate about 1-3/4" and stop
- State of Illinois Approved



CAST IRON CAULKING INLET HUB

Curved Back Cast Iron Hub

PIPING 2

3

4

H200C

H300C

H400C

Curved Back Cast Iron Hub on 18" Basins

H400C-18

Flat Back Cast Iron Hub

H400F

- Industrial enamel coated bolt-on cast iron inlet hub



MULTI-TITE HUB

Pipe seal for 4" piping

H400MTH

- A sure seal with Cast Iron Soil Pipe (service weight)



GROMMETS

For 1 1/2" Piping (OD) Through 3" Hole

G125

For 1 1/2" Piping (OD) Through 3" Hole

G150

For 2" Piping (OD) Through 3" Hole

G200

For 3" Piping (OD) Through 4" Hole

G300

For 4" Piping (OD) Through 5" Hole

G400

For SDR35 4" Piping (OD) Through 5" Hole

G400SDR35

Electric Cord Grommet, Seals up to 3 Cords (up to 3/8" OD) Through a 2 1/2" Hole

ECG

Electric Cord Grommet, Through a 2" Hole

ECG200

Electric Cord Plug 1" Hole

ECP

Electric Cord Plug 2" Hole

ECP

Electric Cord Plug 2.5" Hole

ECP

- For the quick, easy, and sure pipe seal



COMPOSITE HUBS

PIPING 4

2" Fiberglass Hub

H201FG

3" Fiberglass Hub

H301FG

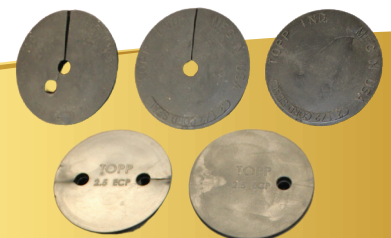
4" Fiberglass Hub

H401FG

Flat-back Fiberglass

H400FGFLAT

- Fiberglass composite bolt-on hubs



Poly and Structural Foam Basin

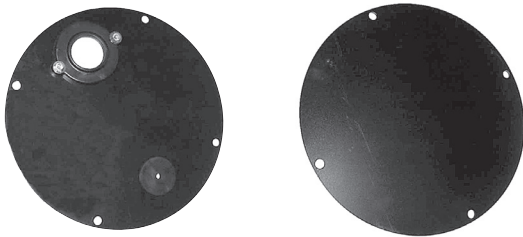
Polyethylene and Structural Foam Basin & Cover Packages

COVER OPTIONS



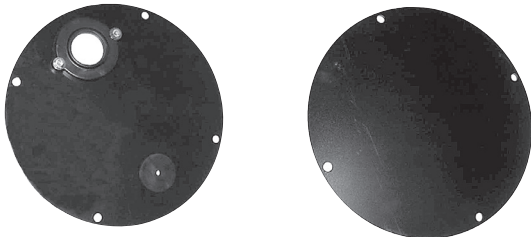
PLASTIC 2-BOLT PIPE FLANGE	PIPING 1-1/4"	1-1/2"	2"	3"
Plastic 2-Bolt Slip Flange, with O-Ring	PF125S	PF150S	PF200S	PF300S
Plastic 2-Bolt Threaded Flange			PF200T	PF300T
Blank Plastic Flange			PF200B	

- Corrosion resistant threaded vent and slip discharge flanges



ACCESS PLATES - 12 GAUGE	16"	18"
Blank Pump Access Plate+	16BPA-12	18BPA-12
Pump Access Plate with ECG Grommet & Discharge Flange+	16PA-12	18PA-12

- Epoxy coated 12-gauge steel for easier pump installation and removal



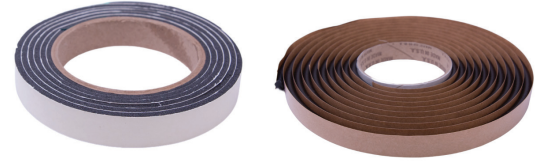
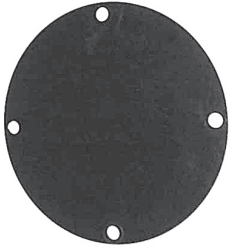
ACCESS PLATES - 1/4" THICK	16"	18"	22"	28"
Blank Pump Access Plate+	16BPA-25	18BPA-25	22BPA-25	28BPA-25
Pump Access Plate with ECG Grommet & Discharge Flange+	16PA-25	18PA-25	22PA-25	28PA-25

- Epoxy coated 1/4" steel for easier pump installation and removal

Poly and Structural Foam Basin

Polyethylene and Structural Foam Basin & Cover Packages

COVER OPTIONS & ACCESSORIES



INSPECTION PLATES	12 GAUGE	1/4" THICK
10" Blank Inspection Plate+	IN00-12	IN00-25
10" Inspection Plate, w/One 1/2" Cord Grip+	IN01-12	IN01-25
10" Inspection Plate, w/Two 1/2" Cord Grip+	IN02-12	IN02-25
10" Inspection Plate, w/Three 1/2" Cord Grip+	IN03-12	IN03-25
10" Inspection Plate, w/Four 1/2" Cord Grip+	IN04-12	IN04-25
1" Steel Float Pole Coupling Welding Under Inspection PlateFP100E		

GASKET MATERIAL	
Foam Tape Seal - 1/8" x 3/4" x 6'	CGM06F
Butyl Tape Seal - 3/8" x 15'	CGM15B

• Replacement cover gasket material for gas-tight and water-tight seals

• 10" diameter for an 8" clear access opening



ELECTRIC CORD GRIPS	
1/2" NPT, Seals Cords from 1.006" to 1.002" OD	GRIP050
2/4" NPT, Seals Cords from 1.001" to 1.008" OD	GRIP075
1" NPT, Seals Cords from 1.006" to 2.004" OD	GRIP100

BOLTS AND WASHERS	
1/4" -20 x 11/4" Bolts (6), 1/4" - 20 Washers (6)	HP1420
5/16 -18 x 11/4" Bolts (6), 5/16 -18 Washers (6)	HP516
3/8 -16 x 111/4 4" Bolts (6), 3/8 -16 Washers (6)	HP38

• Easily adjust your power cord without entering the basin

• Replacement stainless steel hardware packs for Topp Industries covers



POLYETHYLENE BAFFLES	LENGTH 12"	18"	24"	36"	48"
Inlet Baffle, 8" Wide x 4" Deep	PIB12	PIB18	PIB24	PIB36	PIB48

• For directing the path of influent and effluent in a basin

Fiberglass

BASINS



FEATURES

- Manufactured to ASTM D3753, one-piece tanks as deep as 35 ft.
- Made with the highest quality material and testing standards currently in the market
- Chop-hoop filament wound tanks are available in 18", 24", 30", 36", 42", 48", 60", 72", 96" and 120"
- TOPP also offers Triple Garage Systems designed to help garage areas and other facilities handle volatile generated waste

Fiberglass

18" BASINS

18" INSIDE DIAMETER

	Add "F" to Part Number		Add "S" to Part Number	
	FIBERGLASS BASIN ONLY	FIBERGLASS ANTI-FLOAT	FIBERGLASS ANTI-FLOAT	STEEL ANTI-FLOAT
	US GALLONS	LB WEIGHT	LB WEIGHT	LB WEIGHT
FB18x22	24	19	29	61
FB18X030	33	22	32	64
FB18X036	40	25	35	67
FB18X042	46	29	39	71
FB18X048	53	32	42	74
FB18X054	59	35	45	77
FB18X060	66	40	50	82
FB18X066	73	45	55	87
FB18X072	79	50	60	92
FB18X078	86	55	65	97
FB18X090	99	N/A	72	105
FB18X096	106	N/A	75	108
FB18X102	112	N/A	78	110
FB18X108	119	N/A	80	113
FB18X114	126	N/A	83	116
FB18X120	132	N/A	86	118

BASINS, COVERS & EXTENSIONS

- Basins and extensions available in 18", 24", 30", 36", 42", 48", 60", 72", 96" and 120" inside diameters
- Various one-piece lengths available up to 35 ft.
- Consult our factory directly for depths longer than 35 ft.
- Sealing kit included with covers and extensions
- Extensions use the same manufacturing process as our fiberglass basins

STANDARD ROUND COVERS

	LBS	IN DIA 18"
14g Solid Black Epoxy Steel Cover	8	C18WSL
14g Simplex Black Epoxy Steel Cover	8	C18SS
1/4" Thick Solid Black Epoxy Steel Cover	2	C18WSH
1/4" Thick Simplex Black Epoxy Steel Cover	23	C18SSH
Simplex Non-Skid Fiberglass Cover	9	C18FSNST
1/4" Thick Perforated Elevator Cover	22	C18ELE
Non-Skid Solid Green Fiberglass Cover	9	C18WFNST
E-Series Solid Foam Cover	3	E-C18EWSF
E-Series Single Hole Foam Cover	3	E-C18EWSFE
E-Series Simplex Foam Cover-2X2 Grom	3	E-C18G-2
E-Series Simplex Foam Cover-2X3 Grom	3	E-C18G-3
E-Series Simplex Foam Cover W/Flanges	3	E-C18F
E-Series Simplex Two-Piece Foam Cover	4	E-C18TSF

Fiberglass

24" BASINS

24" INSIDE DIAMETER	Add "F" to Part Number		Add "S" to Part Number	
	FIBERGLASS BASIN ONLY	FIBERGLASS *ANTI-FLOAT	FIBERGLASS **ANTI-FLOAT	STEEL
US GALLONS	LB WEIGHT	LB WEIGHT	LB WEIGHT	LB WEIGHT
FB24X024	47	30	50	97
FB24X030	59	35	55	102
FB24X036	71	40	60	107
FB24X042	82	45	65	112
FB24X048	94	50	70	117
FB24X054	106	54	74	121
FB24X060	118	59	79	126
FB24X066	129	64	84	131
FB24X072	141	69	89	136
FB24X078	153	92	112	159
FB24X084	165	96	116	163
FB24X090	176	102	120	167
FB24X096	188	108	125	172
FB24X102	200	N/A	129	176
FB24X108	212	N/A	133	180
FB24X114	223	N/A	138	185
FB24X120	235	N/A	142	189
FB24X126	247	N/A	146	193
FB24X132	259	N/A	151	195
FB24X138	270	N/A	155	202

24" INSIDE DIAMETER	Add "F" to Part Number		Add "S" to Part Number	
	FIBERGLASS BASIN ONLY	FIBERGLASS *ANTI-FLOAT	FIBERGLASS **ANTI-FLOAT	STEEL
US GALLONS	LB WEIGHT	LB WEIGHT	LB WEIGHT	LB WEIGHT
FB24X144	282	N/A	159	206
FB24X150	294	N/A	166	213
FB24X156	306	N/A	172	219
FB24X162	317	N/A	178	225
FB24X168	329	N/A	184	231
FB24X174	341	N/A	190	237
FB24X180	353	N/A	196	243
FB24X186	364	N/A	202	249
FB24X192	376	N/A	208	255
FB24X198	388	N/A	214	261
FB24X204	400	N/A	221	268
FB24X210	411	N/A	227	274
FB24X216	423	N/A	233	280
FB24X222	435	N/A	239	286
FB24X228	447	N/A	245	292
FB24X234	458	N/A	251	298
FB24X240	470	N/A	257	304

24" BASIN COVERS

STANDARD ROUND COVERS	LBS	IIN DIA 24"
14g Solid Black Epoxy Steel Cover	12	C24WSL
14g Simplex Black Epoxy Steel Cover	14	C24SSL
12g Simplex Black Epoxy Steel Cover w/(1) Access Plate and (1) Blank Inspection Plate	40	C24-12SSA
1/4" Thick Solid Black Epoxy Steel Cover	48	C24WSH
1/4" Thick Simplex Black Epoxy Steel Cover	50	C24SSH
1/4" Thick Simplex Black Epoxy Steel Cover w/(1) Access Plate and (1) Blank Inspection Plate	50	C24SSA
1/4" Thick Duplex Black Epoxy Steel Cover w/(2) Access Plates and (1) Blank Inspection Plate	52	C24DSA
1/2" Thick Non-Skid Solid Green Fiberglass Cover	18	C24WFNST
1/2" Thick Non-Skid Simplex Polyethylene Cover w/Access	18	C24SPA
Steel Single Hatch Door	60	C24HSS
Aluminum Single Hatch Door	22	C24HSA
Simplex Non-Skid Fiberglass Cover	18	C24FSNST
1/4" Thick Perforated Elevator Cover	50	C24ELE
E-Series Solid Foam Cover	8	E-C24EWSF
E-Series Single Hole Foam Cover	8	E-C24EWSFE
E-Series Simplex Foam Cover-2X2 Grom	8	E-C24G-2
E-Series Simplex Foam Cover-2X3 Grom	8	E-C24G-3
E-Series Simplex Foam Cover W/Flanges	8	E-C24F

Fiberglass

30" BASINS

30" INSIDE DIAMETER	Add "F" to Part Number		Add "S" to Part Number	
	FIBERGLASS BASIN ONLY	FIBERGLASS *ANTI-FLOAT	FIBERGLASS **ANTI-FLOAT	STEEL
US GALLONS	LB WEIGHT	LB WEIGHT	LB WEIGHT	LB WEIGHT
FB30X030	92	46 7	4	142
FB30X036	110	52	80	148
FB30X042	129	58 8	6	154
FB30X048	147	64	92	160
FB30X054	165	70	98	166
FB30X060	184	76	104	172
FB30X066	202	112	141	209
FB30X072	220	118	147	214
FB30X078	239	125	154	222
FB30X084	257	133	162	230
FB30X090	275	141	170	237
FB30X096	294	149	177	245
FB30X102	312	N/A	185	252
FB30X108	330	N/A	192	260
FB30X114	349	N/A	200	268
FB30X120	367	N/A	208	275
FB30X126	386	N/A	215	283
FB30X132	404	N/A	223	291
FB30X138	422	N/A	231	298

30" INSIDE DIAMETER	Add "F" to Part Number		Add "S" to Part Number	
	FIBERGLASS BASIN ONLY	FIBERGLASS *ANTI-FLOAT	FIBERGLASS **ANTI-FLOAT	STEEL
US GALLONS	LB WEIGHT	LB WEIGHT	LB WEIGHT	LB WEIGHT
FB30X144	441	N/A	238	306
FB30X150	459	N/A	246	314
FB30X156	477	N/A	254	321
FB30X162	496	N/A	261	329
FB30X168	514	N/A	269	336
FB30X174	532	N/A	276	344
FB30X180	551	N/A	284	352
FB30X186	569	N/A	292	359
FB30X192	588	N/A	299	367
FB30X198	606	N/A	309	377
FB30X204	624	N/A	319	387
FB30X210	643	N/A	329	397
FB30X216	66	N/A	339	407
FB30X222	679	N/A	349	416
FB30X228	698	N/A	359	426
FB30X234	716	N/A	368	436
FB30X240	734	N/A	378	446

Fiberglass

30" BASINS

STANDARD ROUND COVERS	LBS	IN DIA 30"
12g Simplex Black Epoxy Steel Cover w/(1) Access Plate and (1) Blank Inspection Plate	40	C30-12SSA
12g Duplex Black Epoxy Steel Cover w/(2) Access Plate and (1) Blank Inspection Plate	44	C30-12DSA
1/4" Thick Solid Steel Cover	65	C30WS
1/4" Thick Simplex Black Epoxy Steel Cover w/(1) Access Plate and (1) Blank Inspection Plate	69	C30SSA
1/4" Thick Duplex Black Epoxy Steel Cover w/(2) Access Plates and (1) Blank Inspection Plate	73	C30DSA
1/2" Thick Non-Skid Solid Green Fiberglass Cover	29	C30WFNST
1/2" Thick Non-Skid Simplex Polyethylene Cover w/Access	27	C30SPA
1/2" Thick Non-Skid Duplex Polyethylene Cover w/Access	32	C30DPA
Steel Single Hatch Door	88	C30HSS
Aluminum Single Hatch Door	32	C30HSA

Fiberglass

36" BASINS

36" INSIDE DIAMETER	Add "F" to Part Number		Add "S" to Part Number	
	FIBERGLASS BASIN ONLY	FIBERGLASS *ANTI-FLOAT	FIBERGLASS **ANTI-FLOAT	STEEL
	US GALLONS	LB WEIGHT	LB WEIGHT	LB WEIGHT
FB36X036	159	64	103	195
FB36X042	185	71	110	202
FB36X048	212	78	118	210
FB36X054	238	86	125	217
FB36X060	264	93	132	224
FB36X066	291	159	198	290
FB36X072	317	168	207	299
FB36X078	344	177	216	308
FB36X084	370	186	226	318
FB36X090	397	195	235	327
FB36X096	423	204	244	336
FB36X102	449	N/A	253	345
FB36X108	476	N/A	262	354
FB36X114	502	N/A	271	364
FB36X120	529	N/A	281	373
FB36X126	555	N/A	290	382
FB36X132	582	N/A	299	391
FB36X138	608	N/A	308	400
FB36X144	635	N/A	20	412
FB36X150	661	N/A	332	424
FB36X156	687	N/A	344	436
FB36X162	714	N/A	355	448
FB36X168	740	N/A	367	459
FB36X174	767	N/A	379	471
FB36X180	793	N/A	391	483
FB36X186	820	N/A	403	495
FB36X192	846	N/A	415	507
FB36X198	872	N/A	426	519

36" INSIDE DIAMETER	Add "F" to Part Number		Add "S" to Part Number	
	FIBERGLASS BASIN ONLY	FIBERGLASS *ANTI-FLOAT	FIBERGLASS **ANTI-FLOAT	STEEL
	US GALLONS	LB WEIGHT	LB WEIGHT	LB WEIGHT
FB36X204	899	N/A	438	530
FB36X210	925	N/A	450	542
FB36X216	952	N/A	462	554
FB36X222	978	N/A	479	571
FB36X228	1,005	N/A	496	588
FB36X234	1,031	N/A	514	606
FB36X240	1,058	N/A	531	623
FB36X246	1,084	N/A	N/A	601
FB36X252	1,110	N/A	N/A	616
FB36X258	1,137	N/A	N/A	630
FB36X264	1,163	N/A	N/A	645
FB36X270	1,190	N/A	N/A	660
FB36X276	1,216	N/A	N/A	675
FB36X282	1,243	N/A	N/A	689
FB36X288	1,269	N/A	N/A	704
FB36X294	1,295	N/A	N/A	719
FB36X300	1,322	N/A	N/A	734
FB36X306	1,348	N/A	N/A	748
FB36X312	1,375	N/A	N/A	763
FB36X318	1,401	N/A	N/A	778
FB36X324	1,428	N/A	N/A	793
FB36X330	1,454	N/A	N/A	807
FB36X336	1,481	N/A	N/A	822
FB36X342	1,507	N/A	N/A	837
FB36X348	1,533	N/A	N/A	852
FB36X354	1,560	N/A	N/A	866
FB36X360	1,586	N/A	N/A	881

36" BASIN COVERS

STANDARD ROUND COVERS	LBS	IN DIA 36"
12g Simplex Black Epoxy Steel Cover w/(1) Access Plate and (1) Blank Inspection Plate	70	C36-12SSA
12g Duplex Black Epoxy Steel Cover w/(2) Access Plate and (1) Blank Inspection Plate	75	C36-12DSA
1/4" Thick Solid Steel Cover	90	C36WS
1/4" Thick Simplex Black Epoxy Steel Cover w/(1) Access Plate and (1) Blank Inspection Plate	95	C36SSA
1/4" Thick Duplex Black Epoxy Steel Cover w/(2) Access Plates and (1) Blank Inspection Plate	100	C36DSA
1/2" Thick Non-Skid Solid Green Fiberglass Cover	40	C36WFNST
1/2" Thick Non-Skid Simplex Polyethylene Cover w/Access	38	C36SPA
1/2" Thick Non-Skid Duplex Polyethylene Cover w/Access	44	C36DPA
Steel Single Hatch Door	110	C36HSS
Aluminum Single Hatch Door	45	C36HSA

Fiberglass

42" BASINS

42" INSIDE DIAMETER	Add "F" to Part Number		Add "S" to Part Number	
	FIBERGLASS BASIN ONLY	FIBERGLASS *ANTI-FLOAT	FIBERGLASS **ANTI-FLOAT	STEEL
	US GALLONS	LB WEIGHT	LB WEIGHT	LB WEIGHT
FB42X030	180	83	134	254
FB42X036	216	94	145	265
FB42X042	252	105	156	276
FB42X048	288	116	167	288
FB42X054	324	128	179	299
FB42X060	360	139	190	310
FB42X066	396	183	234	354
FB42X072	432	194	245	365
FB42X078	468	208	259	379
FB42X084	504	221	272	393
FB42X090	540	235	286	407
FB42X096	576	249	300	420
FB42X102	612	N/A	314	434
FB42X108	648	N/A	328	448
FB42X114	684	N/A	341	462
FB42X120	720	N/A	355	476
FB42X126	756	N/A	369	489
FB42X132	792	N/A	383	503
FB42X138	828	N/A	397	517
FB42X144	864	N/A	411	531
FB42X150	900	N/A	427	548
FB42X156	936	N/A	444	565
FB42X162	972	N/A	461	582
FB42X168	1,008	N/A	478	598
FB42X174	1,044	N/A	495	615
FB42X180	1,080	N/A	512	632
FB42X186	1,116	N/A	529	649
FB42X192	1,152	N/A	546	667
FB42X198	1,188	N/A	563	683

42" INSIDE DIAMETER	Add "F" to Part Number		Add "S" to Part Number	
	FIBERGLASS BASIN ONLY	FIBERGLASS *ANTI-FLOAT	FIBERGLASS **ANTI-FLOAT	STEEL
	US GALLONS	LB WEIGHT	LB WEIGHT	LB WEIGHT
FB42X204	1,224	N/A	580	700
FB42X210	1,259	N/A	597	717
FB42X216	1,295	N/A	614	734
FB42X222	1,331	N/A	631	751
FB42X228	1,367	N/A	647	768
FB42X234	1,403	N/A	664	785
FB42X240	1,439	N/A	688	808
FB42X246	1,475	N/A	N/A	760
FB42X252	1,511	N/A	N/A	778
FB42X258	1,547	N/A	N/A	795
FB42X264	1,583	N/A	N/A	812
FB42X270	1,619	N/A	N/A	829
FB42X276	1,655	N/A	N/A	847
FB42X282	1,691	N/A	N/A	864
FB42X288	1,727	N/A	N/A	881
FB42X294	1,763	N/A	N/A	898
FB42X300	1,799	N/A	N/A	915
FB42X306	1,835	N/A	N/A	935
FB42X312	1,871	N/A	N/A	955
FB42X318	1,907	N/A	N/A	974
FB42X324	1,943	N/A	N/A	994
FB42X330	1,979	N/A	N/A	1,014
FB42X336	2,015	N/A	N/A	1,034
FB42X342	2,051	N/A	N/A	1,054
FB42X348	2,087	N/A	N/A	1,073
FB42X354	2,123	N/A	N/A	1,093
FB42X360	2,159	N/A	N/A	1,113

42" BASIN COVERS

STANDARD ROUND COVERS	LBS	IN DIA 42"
1/4" Thick Solid Steel Cover	128	C42WS
1/4" Thick Simplex Black Epoxy Steel Cover w/(1) Access Plate and (1) Blank Inspection Plate	133	C42SSA
1/4" Thick Duplex Black Epoxy Steel Cover w/(2) Access Plates and (1) Blank Inspection Plate	138	C42DSA
1/2" Thick Non-Skid Solid Green Fiberglass Cover	58	C42WFNST
1/2" Thick Non-Skid Simplex Polyethylene Cover w/Access	56	C42SPA
1/2" Thick Non-Skid Duplex Polyethylene Cover w/Access	63	C42DPA
Steel Single Hatch Door	157	C42HSS
Aluminum Single Hatch Door	60	C42HSA

Fiberglass

BASINS

48" INSIDE DIAMETER	Add "F" to Part Number		Add "S" to Part Number	
	FIBERGLASS BASIN ONLY	FIBERGLASS *ANTI-FLOAT	FIBERGLASS **ANTI-FLOAT	STEEL
	US GALLONS	LB WEIGHT	LB WEIGHT	LB WEIGHT
FB48X030	235	97	162	314
FB48X036	282	110	175	327
FB48X042	329	123	188	340
FB48X048	376	136	200	353
FB48X054	423	148	213	365
FB48X060	470	161	226	378
FB48X066	517	244	309	461
FB48X072	564	260	325	477
FB48X078	611	280	344	496
FB48X084	658	299	364	516
FB48X090	705	318	383	535
FB48X096	752	338	402	554
FB48X102	799	N/A	422	574
FB48X108	846	N/A	441	593
FB48X114	893	N/A	460	612
FB48X120	940	N/A	480	632
FB48X126	987	N/A	499	651
FB48X132	1,034	N/A	518	670
FB48X138	1,08	N/A	538	690
FB48X144	1,128	N/A	557	709
FB48X150	1,175	N/A	576	729
FB48X156	1,22	N/A	596	748
FB48X162	1,269	N/A	615	767
FB48X168	1,31	N/A	634	787
FB48X174	1,363	N/A	654	806
FB48X180	1,410	N/A	673	825
FB48X186	1,457	N/A	699	852
FB48X192	1,504	N/A	726	878
FB48X198	1,551	N/A	752	905

48" INSIDE DIAMETER	Add "F" to Part Number		Add "S" to Part Number	
	FIBERGLASS BASIN ONLY	FIBERGLASS *ANTI-FLOAT	FIBERGLASS **ANTI-FLOAT	STEEL
	US GALLONS	LB WEIGHT	LB WEIGHT	LB WEIGHT
FB48X204	1,598	N/A	779	931
FB48X210	1,645	N/A	805	957
FB48X216	1,69	N/A	832	984
FB48X222	1,739	N/A	858	1,010
FB48X228	1,786	N/A	885	1,037
FB48X234	1,833	N/A	911	1,063
FB48X240	1,880	N/A	938	1,090
FB48X246	1,927	N/A	N/A	1,009
FB48X252	1,974	N/A	N/A	1,031
FB48X258	2,021	N/A	N/A	1,054
FB48X264	2,068	N/A	N/A	1,076
FB48X270	2,115	N/A	N/A	1,099
FB48X276	2,162	N/A	N/A	1,122
FB48X282	2,209	N/A	N/A	1,144
FB48X288	2,256	N/A	N/A	1,167
FB48X294	2,303	N/A	N/A	1,190
FB48X300	2,350	N/A	N/A	1,212
FB48X306	2,397	N/A	N/A	1,238
FB48X312	2,444	N/A	N/A	1,263
FB48X318	2,491	N/A	N/A	1,289
FB48X324	2,538	N/A	N/A	1,314
FB48X330	2,585	N/A	N/A	1,340
FB48X336	2,632	N/A	N/A	1,365
FB48X342	2,679	N/A	N/A	1,391
FB48X348	2,726	N/A	N/A	1,416
FB48X354	2,773	N/A	N/A	1,446
FB48X360	2,820	N/A	N/A	1,474

48" BASIN COVERS

STANDARD ROUND COVERS	LBS	IN DIA 48"
1/4" Thick Solid Steel Cover	165	C48WS
1/4" Thick Simplex Black Epoxy Steel Cover w/(1) Access Plate and (1) Blank Inspection Plate	170	C48SSA
1/4" Thick Duplex Black Epoxy Steel Cover w/(2) Access Plates and (1) Blank Inspection Plate	175	C48DSA
1/2" Thick Non-Skid Solid Green Fiberglass Cover	82	C48WFNST
1/2" Thick Non-Skid Simplex Polyethylene Cover w/Access	84	C48SPA
1/2" Thick Non-Skid Duplex Polyethylene Cover w/Access	92	C48DPA
1/2" Thick Non-Skid Fiberglass Hatch Cover	82	C48HSFNST
Steel Single Hatch Door	210	C48HSS
Aluminum Single Hatch Door	80	C48HSA

Fiberglass

60" BASINS

60" INSIDE DIAMETER	Add "F" to Part Number		Add "S" to Part Number	
	FIBERGLASS BASIN ONLY	FIBERGLASS *ANTI-FLOAT	FIBERGLASS **ANTI-FLOAT	STEEL
	US GALLONS	LB WEIGHT	LB WEIGHT	LB WEIGHT
FB60X036	441	309	406	633
FB60X042	514	334	430	658
FB60X048	588	358	454	682
FB60X054	661	382	479	706
FB60X060	734	406	503	730
FB60X066	808	430	527	754
FB60X072	881	454	551	778
FB60X078	955	483	580	807
FB60X084	1,028	512	608	836
FB60X090	1,102	540	637	864
FB60X096	1,175	569	667	893
FB60X102	1,248	N/A	694	922
FB60X108	1,322	N/A	723	950
FB60X114	1,395	N/A	751	979
FB60X120	1,469	N/A	780	1,007
FB60X126	1,542	N/A	809	1,036
FB60X132	1,616	N/A	837	1,065
FB60X138	1,689	N/A	866	1,093
FB60X144	1,763	N/A	895	1,122
FB60X150	1,836	N/A	932	1,159
FB60X156	1,909	N/A	970	1,197
FB60X162	1,983	N/A	1,007	1,234
FB60X168	2,056	N/A	1,045	1,272
FB60X174	2,130	N/A	1,082	1,309
FB60X180	2,203	N/A	1,120	1,347
FB60X186	2,27	N/A	1,157	1,384
FB60X192	2,350	N/A	1,195	1,422
FB60X198	2,424	N/A	1,232	1,459

60" INSIDE DIAMETER	Add "F" to Part Number		Add "S" to Part Number	
	FIBERGLASS BASIN ONLY	FIBERGLASS *ANTI-FLOAT	FIBERGLASS **ANTI-FLOAT	STEEL
	US GALLONS	LB WEIGHT	LB WEIGHT	LB WEIGHT
FB60X204	2,497	N/A	1,270	1,497
FB60X210	2,570	N/A	1,307	1,534
FB60X216	2,644	N/A	1,349	1,576
FB60X222	2,717	N/A	1,391	1,618
FB60X228	2,791	N/A	1,433	1,660
FB60X234	2,864	N/A	1,475	1,702
FB60X240	2,938	N/A	1,517	1,744
FB60X246	3,011	N/A	N/A	1,888
FB60X252	3,084	N/A	N/A	1,931
FB60X258	3,158	N/A	N/A	1,975
FB60X264	3,231	N/A	N/A	2,019
FB60X270	3,305	N/A	N/A	2,062
FB60X276	3,378	N/A	N/A	2,106
FB60X282	3,452	N/A	N/A	2,149
FB60X288	3,525	N/A	N/A	2,193
FB60X294	3,599	N/A	N/A	2,236
FB60X300	3,672	N/A	N/A	2,280
FB60X306	3,745	N/A	N/A	2,328
FB60X312	3,819	N/A	N/A	2,376
FB60X318	3,892	N/A	N/A	2,424
FB60X324	3,966	N/A	N/A	2,472
FB60X330	4,039	N/A	N/A	2,521
FB60X336	4,113	N/A	N/A	2,569
FB60X342	4,186	N/A	N/A	2,617
FB60X348	4,260	N/A	N/A	2,665
FB60X354	4,333	N/A	N/A	2,718
FB60X360	4,406	N/A	N/A	2,770

60" BASIN COVERS

STANDARD ROUND COVERS	LBS	IN DIA 60"
3/8" Thick Solid Steel Cover	365	C60WS
3/8" Thick Simplex Black Epoxy Steel Cover w/(1) Access Plate and (1) Blank Inspection Plate	380	C60SSA
1/4" Thick Duplex Black Epoxy Steel Cover w/(2) Access Plates and (1) Blank Inspection Plate	395	C60DSA
1/2" Thick Solid Blue Fiberglass Cover	145	C60WF
Steel Single Hatch Door	390	C60HSS
Aluminum Single Hatch Door	100	C60HSA

Fiberglass

72" BASINS

72" INSIDE DIAMETER	Add "F" to Part Number		Add "S" to Part Number
	FIBERGLASS BASIN ONLY	FIBERGLASS *ANTI-FLOAT	STEEL **ANTI-FLOAT
	US GALLONS	LB WEIGHT	LB WEIGHT
FB72X060	1,058	717	1,035
FB72X066	1,163	752	1,069
FB72X072	1,269	786	1,104
FB72X078	1,375	826	1,143
FB72X084	1,481	865	1,183
FB72X090	1,586	905	1,223
FB72X096	1,692	945	1,262
FB72X102	1,798	984	1,302
FB72X108	1,904	1,024	1,342
FB72X114	2,009	1,064	1,381
FB72X120	2,115	1,103	1,421
FB72X126	2,221	1,143	1,461
FB72X132	2,327	1,183	1,500
FB72X138	2,432	1,223	1,540
FB72X144	2,538	1,262	1,580
FB72X150	2,644	1,307	1,625
FB72X156	2,749	1,352	1,670
FB72X162	2,855	1,397	1,715
FB72X168	2,961	1,442	1,760
FB72X174	3,067	1,487	1,805
FB72X180	3,173	1,532	1,850
FB72X186	3,278	1,577	1,895
FB72X192	3,384	1,628	1,945
FB72X198	3,490	1,678	1,996

72" INSIDE DIAMETER	Add "F" to Part Number		Add "S" to Part Number
	FIBERGLASS BASIN ONLY	FIBERGLASS *ANTI-FLOAT	STEEL **ANTI-FLOAT
	US GALLONS	LB WEIGHT	LB WEIGHT
FB72X204	3,596	1,728	2,046
FB72X210	3,701	1,779	2,096
FB72X216	3,807	1,829	2,147
FB72X222	3,913	1,879	2,197
FB72X228	4,019	1,930	2,247
FB72X234	4,124	1,980	2,298
FB72X240	4,230	2,030	2,348
FB72X246	4,336	N/A	2,432
FB72X252	4,442	N/A	2,490
FB72X258	4,547	N/A	2,548
FB72X264	4,653	N/A	2,606
FB72X270	4,759	N/A	2,663
FB72X276	4,865	N/A	2,640
FB72X282	4,970	N/A	2,703
FB72X288	5,076	N/A	2,766
FB72X294	5,182	N/A	2,829
FB72X300	5,288	N/A	2,893
FB72X306	5,393	N/A	2,956
FB72X312	5,499	N/A	3,024
FB72X318	5,605	N/A	3,092
FB72X324	5,711	N/A	3,161
FB72X330	5,816	N/A	3,229
FB72X336	5,922	N/A	3,298
FB72X342	6,028	N/A	3,366
FB72X348	6,134	N/A	3,435
FB72X354	6,239	N/A	3,509
FB72X360	6,345	N/A	3,583

72" BASIN COVERS

STANDARD ROUND COVERS	LBS	IN DIA 72"
3/8" Thick Solid Steel Cover	508	C72WS
3/8" Thick Simplex Black Epoxy Steel Cover w/(1) Access Plate and (1) Blank Inspection Plate	523	C72SSA
1/4" Thick Duplex Black Epoxy Steel Cover w/(2) Access Plates and (1) Blank Inspection Plate	538	C72DSA
1/2" Thick Solid Blue Fiberglass Cover	270	C72WF
Steel Single Hatch Door	578	C72HSS
Aluminum Single Hatch Door	180	C72HSA

Fiberglass

96" BASINS

	96" INSIDE DIAMETER		
		Add "F" to Part Number	Add "S" to Part Number
	FIBERGLASS BASIN ONLY	FIBERGLASS *ANTI-FLOAT	STEEL **ANTI-FLOAT
	US GALLONS	LB WEIGHT	LB WEIGHT
FB96X096S	3,008		2,184
FB96X102S	3,196		2,283
FB96X108S	3,384		2,372
FB96X114S	3,572		2,480
FB96X120S	3,760		2,591
FB96X126S	3,948		2,717
FB96X132S	4,136		2,829
FB96X138S	4,324		2,940
FB96X144S	4,512		3,052
FB96X150S	4,700		3,187
FB96X156S	4,888		3,293
FB96X162S	5,076		3,426
FB96X168S	5,264		3,551
FB96X174S	5,452		3,726
FB96X180S	5,640		3,855
FB96X186S	5,828		3,991
FB96X192S	6,016		4,153
FB96X198S	6,204		4,268
FB96X204S	6,392		4,420
FB96X210S	6,580		4,580
FB96X216S	6,768		4,841
FB96X222S	6,956		5,028
FB96X228S	7,144		5,240

	96" INSIDE DIAMETER			
		Add "F" to Part Number	Add "S" to Part Number	
	FIBERGLASS BASIN ONLY	FIBERGLASS *ANTI-FLOAT	STEEL **ANTI-FLOAT	
	US GALLONS	LB WEIGHT	LB WEIGHT	LB WEIGHT
FB96X234S	7,332			5,381
FB96X240S	7,520			5,532
FB96X246	7,708	N/A	N/A	6,783
FB96X252	7,896	N/A	N/A	7,053
FB96X258	8,084	N/A	N/A	7,174
FB96X264	8,272	N/A	N/A	7,444
FB96X270	8,460	N/A	N/A	7,564
FB96X276	8,648	N/A	N/A	7,693
FB96X282	8,836	N/A	N/A	7,980
FB96X288	9,024	N/A	N/A	8,117
FB96X294	9,212	N/A	N/A	8,265
FB96X300	9,400	N/A	N/A	8,573
FB96X306	9,588	N/A	N/A	8,732
FB96X312	9,776	N/A	N/A	9,045
FB96X318	9,964	N/A	N/A	9,217
FB96X324	10,152	N/A	N/A	9,389
FB96X330	10,340	N/A	N/A	9,722
FB96X336	10,528	N/A	N/A	9,915
FB96X342	10,716	N/A	N/A	10,108
FB96X348	10,904	N/A	N/A	10,461
FB96X354	11,092	N/A	N/A	10,675
FB96X360	11,280	N/A	N/A	11,039

STANDARD ROUND COVERS	LBS	IN DIA 96"
Aluminum Single Hatch Door	300	C96HSA

POLY SKIDS	REQUIRED FOR BASINS OVER 96"
Poly Skids	Set of 2 Skids

SAFETY GRATES
 • Available for Steel and Aluminum Hatch Covers.

Fiberglass

120" BASINS

120" INSIDE DIAMETER	Add "F" to Part Number		Add "S" to Part Number	
	FIBERGLASS BASIN ONLY	FIBERGLASS *ANTI-FLOAT	FIBERGLASS **ANTI-FLOAT	STEEL
	US GALLONS	LB WEIGHT	LB WEIGHT	LB WEIGHT
FB120X096S	4,700			2,985
FB120X102S	4,994			3,171
FB120X108S	5,288			3,358
FB120X114S	5,581			3,544
FB120X120S	5,587			3,793
FB120X126S	6,169			3,948
FB120X132S	6,463			4,104
FB120X138S	6,756			4,260
FB120X144S	7,050			4,416
FB120X150S	7,344			4,475
FB120X156S	7,638			4,796
FB120X162S	7,932			4,968
FB120X168S	8,225			5,141
FB120X174S	8,519			5,330
FB120X180S	8,813			5,519
FB120X186S	9,107			5,708
FB120X192S	9,400			5,897
FB120X198S	9,694			6,086
FB120X204S	9,988			6,325
FB120X210S	10,282			6,533
FB120X216S	10,575			6,738
FB120X222S	10,869			7,125
FB120X228S	11,163			7,348

120" INSIDE DIAMETER	Add "F" to Part Number		Add "S" to Part Number	
	FIBERGLASS BASIN ONLY	FIBERGLASS *ANTI-FLOAT	FIBERGLASS **ANTI-FLOAT	STEEL
	US GALLONS	LB WEIGHT	LB WEIGHT	LB WEIGHT
FB120X234S	11,457			7,570
FB120X240S	11,750			7,792
FB120X246	12,044	N/A	N/A	9,169
FB120X252	12,338	N/A	N/A	9,291
FB120X258	12,632	N/A	N/A	9,613
FB120X264	12,925	N/A	N/A	9,735
FB120X270	13,219	N/A	N/A	10,058
FB120X276	13,513	N/A	N/A	10,192
FB120X282	13,807	N/A	N/A	10,337
FB120X288	14,100	N/A	N/A	10,682
FB120X294	14,394	N/A	N/A	10,838
FB120X300	14,688	N/A	N/A	11,006
FB120X306	14,982	N/A	N/A	11,374
FB120X312	15,275	N/A	N/A	11,550
FB120X318	15,569	N/A	N/A	11,741
FB120X324	15,863	N/A	N/A	12,131
FB120X330	16,157	N/A	N/A	12,334
FB120X336	16,450	N/A	N/A	12,748
FB120X342	16,744	N/A	N/A	12,961
FB120X348	17,038	N/A	N/A	13,186
FB120X354	17,332	N/A	N/A	13,623
FB120X360	17,626	N/A	N/A	13,860

STANDARD ROUND COVERS	LBS	IN DIA 120"
Aluminum Single Hatch Door	425	C120HSA

POLY SKIDS	REQUIRED FOR BASINS OVER 96"
Poly Skids	Set of 2 Skids

SAFETY GRATES
 • Available for Steel and Aluminum Hatch Covers.

Fiberglass & Poly

FIBERGLASS TRIPLE GARAGE SYSTEMS

FEATURES

- Designed to help garage areas and other facilities handle volatile generated waste,
- Reduces the possibility of volatile wastes entering the sewer system, avoiding potential explosion
- Volatile waste, which is lighter than water, is separated through the system of baffles. At the surface, the volatile waste safely evaporates and fumes can be vented into the atmosphere
- The balance of waste matter safely enters the sewer system



BASIN	ID 18"	24"	30"	36"	42"	48"
	FTGS18X030F	FTGS24X030F	FTGS30X030F	FTGS36X030F	FTGS42X030F	FTGS48X030F
	FTGS18X036F	FTGS24X036F	FTGS30X036F	FTGS36X036F	FTGS42X036F	FTGS48X036F
	FTGS18X042F	FTGS24X042F	FTGS30X042F	FTGS36X042F	FTGS42X042F	FTGS48X042F
	FTGS18X048F	FTGS24X048F	FTGS30X048F	FTGS36X048F	FTGS42X048F	FTGS48X048F
	FTGS18X054F	FTGS24X054F	FTGS30X054F	FTGS36X054F	FTGS42X054F	FTGS48X054F
	FTGS18X060F	FTGS24X060F	FTGS30X060F	FTGS36X060F	FTGS42X060F	FTGS48X060F
	FTGS18X066F	FTGS24X066F	FTGS30X066F	FTGS36X066F	FTGS42X066F	FTGS48X066F
	FTGS18X072F	FTGS24X072F	FTGS30X072F	FTGS36X072F	FTGS42X072F	FTGS48X072F
	FTGS18X078F	FTGS24X078F	FTGS30X078F	FTGS36X078F	FTGS42X078F	FTGS48X078F
		FTGS24X084F	FTGS30X084F	FTGS36X084F	FTGS42X084F	FTGS48X084F
		FTGS24X090F	FTGS30X090F	FTGS36X090F	FTGS42X090F	FTGS48X090F
		FTGS24X096F	FTGS30X096F	FTGS36X096F	FTGS42X096F	FTGS48X096F

Fiberglass Triple Garage Systems Include:
 (3) Fiberglass Basins, (3) 4" Inlets, (3) 4" Discharges, (3) 2" Vents,
 (4) 12" Poly Baffles, and (3) 1/4" Thick Solid Steel Covers

ADDERS

- 18" Poly Baffle
- 24" Poly Baffle
- 36" Poly Baffle
- 48" Poly Baffle
- Opt. 1 - Glassing Cover Flanges Inlet & Discharge Pipes Together
- Opt. 2 - Glassing Anti-Float Flanges Together

POLY TRIPLE GARAGE BASINS



POLY TRIPLE GARAGE BASIN	18" X 39"
Vents on the North Side	B1839TN
Vents on the South Side*	B1839TSR

- Designed to help garage areas and other facilities handle generated volatile waste
- Separates volatile wastes as it passes through the system of baffles and rises to the surface
- Meets IL code
- Includes three black epoxy-coated 14g Solid Steel covers, composite inlet hub and discharge

Premium Fiberglass

Vinyl Ester Premium Series

BASINS



FEATURES

- Corrosion Resistant and High Temperature Fiberglass basins
- Utilizing Vinyl Ester Resin, we can assist with engineering a specific tank for your chemical resistant and high temperature applications
- Experienced staff to help determine your Vinyl Ester needs or help design a complete package station or custom application

Contact the Topp team at 800-354-4534 with the following information and we will be able to provide the appropriate resin for your application.

- All chemicals to which the basin will be exposed
- Normal operating concentrations of chemicals, maximum and minimums (including trace amounts)
- Operating temperature, include minimum and maximum

Contact our team for pricing and information

Fiberglass EXTENSIONS



FIBERGLASS EXTENSION	BASIN 18"	24"	30"	36"
6" Fiberglass Extension<	FB18X006E	FB24X006E	FB30X006E	FB36X006E
12" Fiberglass Extension<	FB18X012E	FB24X012E	FB30X012E	FB36X012E
18" Fiberglass Extension<	FB18X018E	FB24X018E	FB30X018E	FB36X018E
24" Fiberglass Extension<	FB18X024E	FB24X024E	FB30X024E	FB36X024E
30" Fiberglass Extension<	FB18X030E	FB24X030E	FB30X030E	FB36X030E
36" Fiberglass Extension<	FB18X036E	FB24X036E	FB30X036E	FB36X036E
42" Fiberglass Extension<	FB18X042E	FB24X042E	FB30X042E	FB36X042E
48" Fiberglass Extension<	FB18X048E	FB24X048E	FB30X048E	FB36X048E

< Includes hardware pack (bolts, washers and gasket tape)

FIBERGLASS EXTENSION	BASIN 42"	48"	60"	72"
6" Fiberglass Extension<	FB42X006E	FB48X006E	FB60X006E	FB72X006E
12" Fiberglass Extension<	FB42X012E	FB48X012E	FB60X012E	FB72X012E
18" Fiberglass Extension<	FB42X018E	FB48X018E	FB60X018E	FB72X018E
24" Fiberglass Extension<	FB42X024E	FB48X024E	FB60X024E	FB72X024E
30" Fiberglass Extension<	FB42X030E	FB48X030E	FB60X030E	FB72X030E
36" Fiberglass Extension<	FB42X036E	FB48X036E	FB60X036E	FB72X036E
42" Fiberglass Extension<	FB42X042E	FB48X042E	FB60X042E	FB72X042E
48" Fiberglass Extension<	FB42X048E	FB48X048E	FB60X048E	FB72X048E

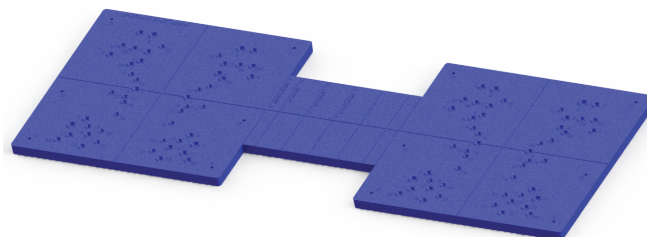
< Includes hardware pack (bolts, washers and gasket tape)

ACCESSORIES

PUMP MOUNTING STUDS

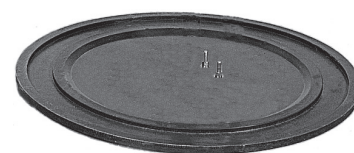
Stainless Steel Simplex Mounting Studs	SS
Stainless Steel Duplex Mounting Studs	SD

• Installed in your fiberglass basin, when ordered from Topp Industries, Inc.



FIBERGLASS STUD PLATES	ID BASIN	SIMPLEX MOUNTING	DUPLEX MOUNTING
Stainless Steel Mounting Studs	24"	FPSS24	
Stainless Steel Mounting Studs	30"	FPSS30	FPSD30
Stainless Steel Mounting Studs	36"	FPSS36	FPSD36
Stainless Steel Mounting Studs	42"	FPSS42	FPSD42
Stainless Steel Mounting Studs	48"	FPSS48	FPSD48
Stainless Steel Mounting Studs	60"	FPSS60	FPSD60
Stainless Steel Mounting Studs	72"	FPSS72	FPSD72

• To retrofit existing fiberglass or concrete (mounted in fiberglass plate)



JUNCTION BOXES

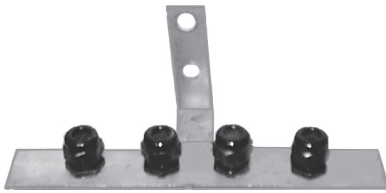
4 x 4 x 4 Simplex Junction Box, w/1-1/2" Hub, (3) 1/2" and (1) 3/4" Cord Grips	JB4S
6 x 6 x 4 Duplex Junction Box, w/2" Hub, (4) 1/2" and (2) 3/4" Cord Grips	JB6S
8 x 8 x 4 Duplex Junction Box, w/2" Hub, (6) 1/2" and (2) 3/4" Cord Grips	JB8S



FLOATS	CABLE 20'	30'	40'	50'
Mini-Bulb, Mercury, Normally Open	MMFLOAT-20	MMFLOAT-30	MMFLOAT-40	MMFLOAT-50
Mercury Bulb, Normally Open	MCFLOAT-20	MCFLOAT-30	MCFLOAT-40	MCFLOAT-50
Mechanical Bulb, Normally Open	MEFLOAT-20	MEFLOAT-30	MEFLOAT-40	MEFLOAT-50

Fiberglass

ACCESSORIES



STAINLESS STEEL FLOAT BRACKETS

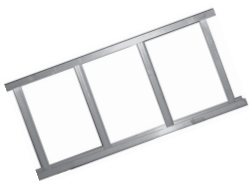
304 Stainless Steel Simplex Float Bracket	SSFB3-12
304 Stainless Steel Duplex Float Bracket	SSFB4
Stainless Steel 3 Hole Float Bracket	SS3FB
Stainless Steel 6 Hook Float Bracket	SS6AHB

• Shipped loose or installed in your basin when ordered from Topp Industries.



VENTS

2" Screened Green Vent w/Galvanized Close Nipple	GV200
3" Screened Green Vent w/Galvanized Close Nipple	GV300
4" Screened Green Vent w/Galvanized Close Nipple	GV400
2" Plastic Mushroom Vent w/2" Grommet	PV200
2" Plastic Mushroom Vent w/Activated Carbon & 2" Grommet	PVAC200



ALUMINUM LADDER

Aluminum Ladder for Easier Lift Station Access	AL12
--	------

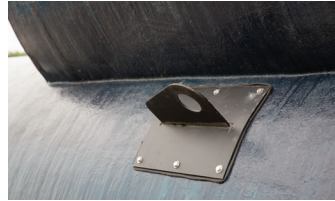
• Sold by the foot
• Shipped loose or installed in your basin when ordered from Topp Industries

POLY SKIDS

REQUIRED FOR BASINS OVER 96"

Poly Skids

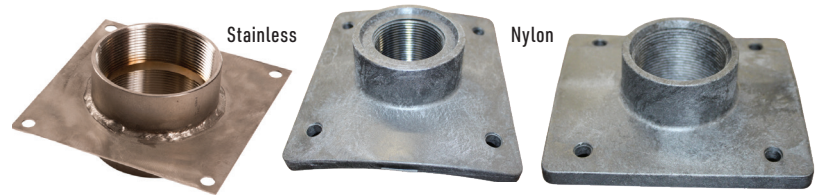
Set of 2 Skids



LIFTING LUGS - HEAVY DUTY

Industrial Enamel Steel Mini-Lifting Lug	LL050
Stainless Steel Mini-Lifting Lug	LL050SS
Industrial Enamel Steel Lifting Lug	LL100
Stainless Steel Lifting Lug	LL100SS

• Installed on your fiberglass basin when ordered from Topp Industries
• Sold each. Two or three recommended



THREADED COUPLINGS

1-1/4" NPT Composite Bolt-on Coupling+	C125FG
1-1/2" NPT Composite Bolt-on Coupling+	C150FG
2" NPT Composite Coupling+	C200FG
1-1/4" NPT Industrial Enameled Steel Bolt-on Coupling+	C125E
1-1/2" NPT Industrial Enameled Steel Bolt-on Coupling+	C150E
2" NPT Industrial Enameled Steel Bolt-on Coupling+	C200E
3" NPT Industrial Enameled Steel Bolt-on Coupling+	C300E
4" NPT Industrial Enameled Steel Bolt-on Coupling+	C400E
1-1/4" NPT Stainless Steel Bolt-on Coupling+	C125S
1-1/2" NPT Stainless Steel Bolt-on Coupling+	C150S
2" NPT Stainless Steel Bolt-on Coupling+	C200S
3" NPT Stainless Steel Bolt-on Coupling+	C300S
4" NPT Stainless Steel Bolt-on Coupling+	C400S
Nylon Electrical Threaded Couplings	PC-0125SM
Nylon Electrical Threaded Couplings	PC-0125LG
Nylon Electrical Threaded Couplings	PC-0125SM
Nylon Electrical Threaded Couplings	PC-0150SM
Nylon Electrical Threaded Couplings	PC-0150LG
Nylon Electrical Threaded Couplings	PC-0200SM
Nylon Electrical Threaded Couplings	PC-0200 LG

+ Includes hardware pack (bolts, washers and gasket tape)

ACCESSORIES



PIPE GROMMET INLET HUB

Pipe Seal for 4" Piping Through a 5" Hol	H400R
Pipe Seal for 4" SDR 35 Piping Through a 5" Hole	H400R35
Pipe Seal for 6" Piping	H600R
Pipe Seal for 6" SDR 35 Piping	H600MTH
Pipe Seal for 8" SDR 35 Piping	H800MTH

- Pipe seal for 4" piping
- Piping will penetrate about 1 3/4" and stop
- State of Illinois approved



CAST IRON CAULKING INLET HUBS

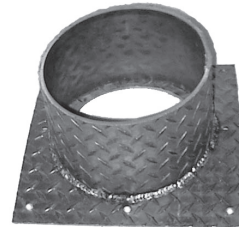
Curved Back Cast Iron Hub for 2" Piping+	H200C
Curved Back Cast Iron Hub for 3" Piping+	H300C
Curved Back Cast Iron Hub for 4" Piping+	H400C
Curved Back Cast Iron Hub for 4" Piping on 18" Basins+	H400C-18
6" Curved Back Cast Iron Hub for 6" Piping+	H600C
8" Curved Back Cast Iron Hub for 8" Piping+	H800C

- Industrial enameled bolt-on inlet cast iron hubs.



PVC HUB

4" PVC Hub for 18"-24" Diameter Basins	S424
4" PVC Hub for 30"+ Diameter Basins	S442



ALUMINUM INLET HUBS

Curved Aluminum Hub for 10" Piping+	H1000A
Curved Aluminum Hub for 12" Piping+	H1200A

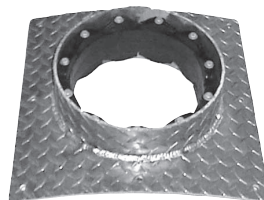
- Specify the diameter of your basin
- Other sizes available upon request



COMPOSITE HUBS

2" Fiberglass Hub for 2" Piping+	H201FG
3" Fiberglass Hub for 3" Piping+	H301FG
4" Fiberglass Hub for 4" Piping+	H401FG
6" Fiberglass Hub for 6" Piping+	H601FG
8" Fiberglass Hub for 8" Piping+	H801FG

- Fiberglass composite bolt-on hubs
- Specify basin size for composite hubs, fiberglass sleeves



ALUMINUM BOLT-ON SLEEVE

2" Aluminum Sleeve+	SLV0200A
3" Aluminum Sleeve+	SLV0300A
4" Aluminum Sleeve+	SLV0400A
6" Aluminum Sleeve+	SLV0600A
8" Aluminum Sleeve+	SLV0800A
10" Aluminum Sleeve+	SLV1000A
12" Aluminum Sleeve+	SLV1200A

- Specify the diameter of your basin
- Other sizes available upon request

+Includes hardware pack (bolts, washers and gasket tape)



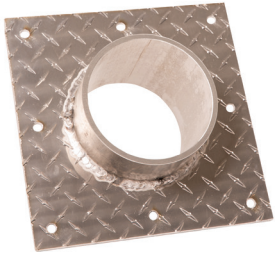
FIBERGLASS SLEEVE

4" Fiberglass Sleeve+	S400FG
6" Fiberglass Sleeve+	600FG
8" Fiberglass Sleeve+	S800FG

- Specify basin size for composite hubs, fiberglass sleeves

Fiberglass

ACCESSORIES



LINK SEALS

Link Seal LS-200-C	LS-200-C
Link Seal LS-300-C	LS-300-C
Link Seal LS-315-C	LS-315-C
Link Seal LS-325-C	LS-325-C
Link Seal LS-340-C	LS-340-C
Link Seal LS-400-C	LS-400-C
Link Seal LS-410-C	LS-410-C
Link Seal LS-425-C	LS-425-C
Link Seal LS-475-C	LS-475-C
Link Seal LS-200-S316	LS-200-S316
Link Seal LS-300-S316	LS-300-S316
Link Seal LS-325-S316	LS-325-S316
Link Seal LS-340-S316	LS-340-S316
Link Seal LS-400-S316	LS-400-S316
Link Seal LS-410-S316	LS-410-S316
Link Seal LS-425-S316	LS-425-S316
Link Seal LS-475-S316	LS-475-S316

STANDARD DIAMETER SDR35 PVC PIPE

Nominal Pipe Size	Actual Pipe Size	Sleeve	Link Seal Model No.	No. of Links Per Seals
4	5.000	6	LS-315-C	10
6	7.000	10	LS-410-C	10
8	9.000	12	LS-475-C	12
10	11.000	14	LS-475-C	10
12	13.000	16	LS-425-C	12

STANDARD DIAMETER DUCTILE IRON PIPE

Nominal Pipe Size	Actual Pipe Size	Sleeve	Link Seal Model No.	No. of Links Per Seals
2	3.000	4	LS-300-C	6
2½	3.000	5	LS-325-C	4
3	4.000	6	LS-325-C	5
4	5.000	8	LS-400-C	5
6	7.000	10	LS-400-C	7
8	9.050	12	LS-475-C	12
10	12.000	14	LS-400-C	11
12	14.000	16	LS-400-C	12
14	16.000	18	LS-360-C	24
16	18.000	22	LS-400-C	16
18	19.500	24	LS-400-C	18
20	22.000	25	LS-400-C	20

STANDARD DIAMETER SCH40 STEEL PIPE

Nominal Pipe Size	Actual Pipe Size	Sleeve	Link Seal Model No.	No. of Links Per Seals
1/2	.840	2	LS-200-C	4
3/4	2.000	2	LS-200-C	4
1	2.005	2½	LS-200-C	5
1-1/4	2.000	4	LS-340-C	5
1-1/2	2.000	3	LS-200-C	6
2	3.005	4	LS-300-C	6
2-1/2	3.005	4	LS-200-C	9
3	4.000	6	LS-340-C	9
4	5.000	6	LS-300-C	10
5	6.003	8	LS-425-C	6
6	7.005	10	LS-400-C	7
8	9.005	12	LS-475-C	12
10	11.000	14	LS-400-C	10
12	13.000	16	LS-425-C	12
14	15.000	18	LS-400-C	13
16	17.000	20	LS-400-C	15
18	19.000	22	LS-400-C	17
20	21.000	24	LS-400-C	18

• All dimensions in inches



GROMMETS

For 1½" Piping (OD) Through 3" Hole	G125
For 1½" Piping (OD) Through 3" Hole	G150
For 2" Piping (OD) Through 3" Hole	G200
For 3" Piping (OD) Through 4" Hole	G300
For 4" Piping (OD) Through 5" Hole	G400
For SDR35 4" Piping (OD) Through 5" Hole	G400SDR35
Electric Cord Grommet, Seals up to 3 Cords (up to 3/8" OD) Through 2-1/2" Hole	ECG
Electric Cord Grommet Through a 2" Hole	ECG200
Blank Snap Plug for 3" Hole (steel covers only)	BSP300
Electric Cord Plug 1Hole	ECP
Electric Cord Plug 2 Hole	ECP

- Quick, easy and sure pipe seal



CAST IRON 2-BOLT PIPE FLANGE	PIPING 2"	3"	4"
Cast Iron 2-Bolt Slip Flange, w/O-ring	CF200S	CF300S	CF400S
Cast Iron 2-Bolt Threaded Flange	CF200T	CF300T	CF400T

- Cast Iron threaded vent and slip discharge flanges
- 1-1/4" and 1-1/2" available upon request



PLASTIC 2-BOLT PIPE FLANGE

Plastic 2-Bolt Slip Flange, w/O-ring for 1-1/4" Piping	PF125S
Plastic 2-Bolt Slip Flange, w/O-ring for 1-1/2" Piping	PF150S
Blank Plastic Flange for 2" Hole	PF200B
Plastic 2-Bolt Slip Flange, w/O-ring for 2" Piping	PF200S
Plastic 2-Bolt Threaded Flange for 2" Piping	PF200T
Plastic 2-Bolt Slip Flange, w/O-ring for 3" Piping	PF300S
Plastic 2-Bolt Threaded Flange for 3" Piping	PF300T

- Corrosion resistant threaded vent and slip discharge flanges



FLEXIBLE COUPLINGS

4" x 2" Piping	FFB4X2
6" x 4" Piping	FFB6X4
8" x 6" Piping	FFB8X6
10" x 8" Piping	FFB10X8

- Leak-proof seal for hubs and sleeves
- Easy to apply in tight spaces
- Other sizes available



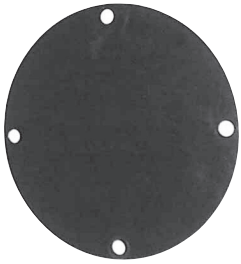
FLEXIBLE BOOT FITTINGS

1" Piping	FB100
1-1/4" Piping	FB125
1-1/2" Piping	FB150
2" Piping	FB200
3" Piping	FB300
4" Piping	FB400
6" Piping	FB600

- For straight or angled penetrations

Fiberglass

ACCESSORIES



INSPECTION PLATES - 12 GAUGE 10"

Blank Inspection Plate+	IN00-12
w/One 1/2" Cord Grip+	IN01-12
w/Two 1/2" Cord Grips+	IN02-12
w/Three 1/2" Cord Grips+	IN03-12
w/Four 1/2" Cord Grips+	IN04-12
Blank Inspection Plate+	IN00-25

• 10" diameter for an 8" clear access opening

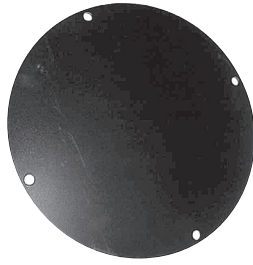
+With Hardware and Sealing Material

INSPECTION PLATES - 1/4" THICK 10"

Blank Inspection Plate+	IN00-25
w/One 1/2" Cord Grip+	IN01-25
w/Two 1/2" Cord Grips+	IN02-25
w/Three 1/2" Cord Grips+	IN03-25
w/Four 1/2" Cord Grips+	IN04-25
1" Steel Float Pole Coupling Welding Under Inspection Plate+	FP100E

• 10" diameter for an 8" clear access opening

+With Hardware and Sealing Material



ACCESS PLATES - 12 GAUGE 16" 18"

Blank Pump Access Plate+	16BPA-12	18BPA-12
Pump Access Plate*	16PA-12	18PA-12

• Epoxy coated 12-gauge steel for easier pump installation and removal

+With Hardware and Sealing Material

*With (1) ECG Grommet, (1) Discharge Flange, Hardware and Sealing Material

ACCESS PLATES - 1/4" THICK 16" 18" 22" 28"

Blank Pump Access Plate+	16BPA-25	18BPA-25	22BPA-25	28BPA-25
Pump Access Plate*	16PA-25	18PA-25	22PA-25	28PA-25

• Epoxy coated 1/4" steel for easier pump installation and removal

+With Hardware and Sealing Material

*With (1) ECG Grommet, (1) Discharge Flange, Hardware and Sealing Material



ELECTRIC CORD GRIPS

1/2" NPT, Seals Cords from 1.006" to 1.002" OD	GRIP050
3/4" NPT, Seals Cords from 1.001" to 1.008" OD	GRIP075
1" NPT, Seals Cords from 1.006" to 2.004" OD	GRIP100

• Easily adjust your power cord without entering the basin



BOLTS AND WASHERS

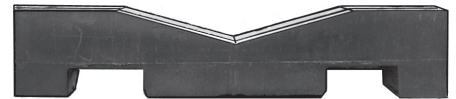
1/4"- 20 x 1-1/4" Bolts (6), 1/4"- 20 Washers (6)	HP1420
5/16"-18 x 1 1/2" Bolts (6), 5/16"-18 Washers (6)	HP516
3/8"-16 x 1 1/2" Bolts (6), 3/8"-16 Washers (6)	HP38

• Replacement stainless steel hardware packs for Topp Industries covers

COVER PERFORATION ADDER

10 Holes Randomly Placed	PER105
--------------------------	--------

• Perforate any 1/4" thick steel cover with 1/2" OD holes



SHIPPING SKID

Fiberglass Basin Polyethylene Shipping Skid	POLYSKIDS
---	-----------

• Reduce the shipping damage on fiberglass basins 96" or longer
• Includes 2 Poly Skids for One Basin

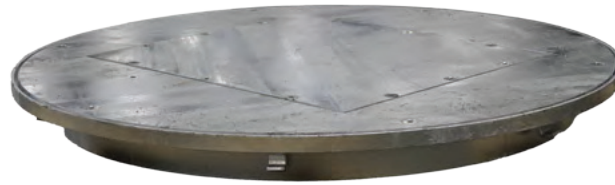
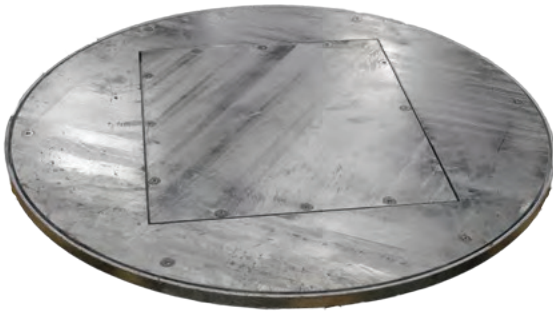


GASKET MATERIAL

Foam Tape Seal - 1/8"x3/4"x6'	CGM06F
Butyl Tape Seal - 3/8"x15'	CGM15B

• Replacement cover gasket material for gas-tight and water-tight seals

ROUND H2O COVERS



ROUND H2O HATCH ACCESS COVERS	PART NO.	INSIDE"	OUTSIDE"	BOLT"	CLEAR ACCESS"
18" Solid	C18WS-20	18	22-7/8	21	
24" Solid	C24WS-20	24	28-7/8	27	
30" Solid	C30WS-20	30	34-7/8	33	15 x 20
36" Solid	C36WS-20	36	42-7/8	40	19-3/4 x 24-1/8
42" Solid	C42WS-20	42	48-7/8	46	20-3/4 x 30-3/4
48" Solid	C48WS-20	48	54-7/8	52	22 x 34-1/4
60" Solid	C60WS-20	60	66-3/4	64	25-7/8 x 36
72" Solid	C72WS-20	72	78-5/8	76	30-3/4 x 45
30" Hatch	C30HSS-20	30	34-7/8	33	15 x 20
36" Hatch	C36HSS-20	36	42-7/8	40	19-3/4 x 24-1/8
42" Hatch	C42HSS-20	42	48-7/8	46	20-3/4 x 30-3/4
48" Hatch	C48HSS-20	48	54-7/8	52	22 x 34-1/4
60" Hatch	C60HSS-20	60	66-3/4	64	25-7/8 x 36
72" Hatch	C72HSS-20	72	78-5/8	76	30-3/4 x 45
30" Gas Tight Hatch	C30SSX-20	30	34-7/8	33	15 x 20
36" Gas Tight Hatch	C36SSX-20	36	42-7/8	40	19-3/4 x 24-1/8
42" Gas Tight Hatch	C42SSX-20	42	48-7/8	46	20-3/4 x 30-3/4
48" Gas Tight Hatch	C48SSX-20	48	54-7/8	52	22 x 34-1/4
60" Gas Tight Hatch	C60SSX-20	60	66-3/4	64	25-7/8 x 36
72" Gas Tight Hatch	C72SSX-20	72	78-5/8	76	30-3/4 x 45

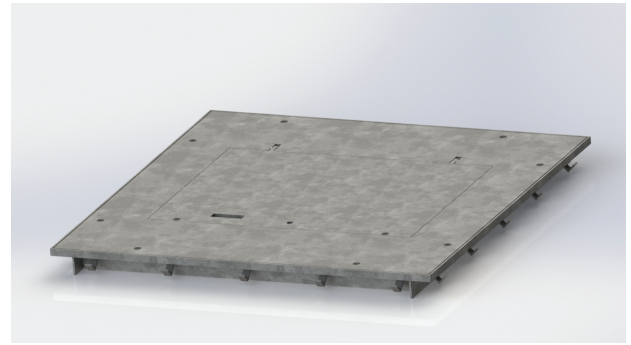
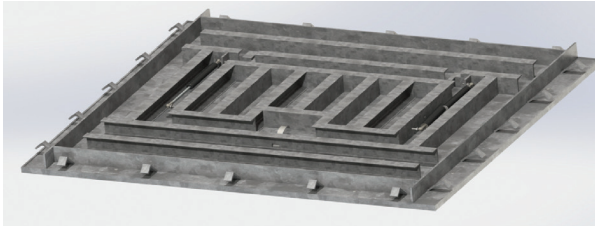
- 5/8" thick ASTM A36 smooth steel
- Steel curb fram with anchor legs
- Hot dipped galvanized finish
- Threaded holes for eyebolts to assist in lifting
- 16,000 lbs load rating for use in off-street locations
- Solid, gas tight hatch or hinged hatch
- Acceptable for use in parking garages
- 18" - 120" Flange for H2O Covers available

Optional Features

- Tread plate steel
- Fall through protection

H2O Covers

SQUARE H2O COVERS



SQUARE H2O HATCH ACCESS COVERS	PART NO.	INSIDE"	OUTSIDE"	BOLT"	CLEAR ACCESS"
24" Solid	C24WSSQ-20	24-1/4	28-3/4	26-1/2	24-1/4 x 24-1/4
30" Solid	C30WSSQ-20	30-1/4	34-3/4	32-1/2	30-1/4 x 30-1/4
36" Solid	C36WSSQ-20	34-1/4	40-3/4	38-1/2	34-1/4 x 34-1/4
42" Solid	C42WSSQ-20	40-1/4	46-3/4	44-1/2	40-1/4 x 40-1/4
48" Solid	C48WSSQ-20	48-1/4	54-3/4	50	48-1/4 x 48-1/4
60" Solid	C60WSSQ-20	60-1/4	66-3/4	64-1/2	60-1/4 x 60-1/4
72" Solid	C72WSSQ-20	72-1/4	78-3/4	76-1/2	72-1/4 x 72-1/4
30" Hatch	C30HSSSQ-20	30-1/4	34-3/4	32-1/2	18-1/4 x 22-3/4
36" Hatch	C36HSSSQ-20	34-1/4	40-3/4	38-1/2	19-3/4 x 24-1/4
42" Hatch	C42HSSSQ-20	40-1/4	46-3/4	44-1/2	24-1/4 x 31-3/4
48" Hatch	C48HSSSQ-20	48-1/4	54-3/4	50	25-1/4 x 36-1/8
60" Hatch	C60HSSSQ-20	60-1/4	66-3/4	64-1/2	29 x 39-5/8
72" Hatch	C72HSSSQ-20	72-1/4	78-3/4	76-1/2	33-7/8 x 48
30" Gas Tight Hatch	C30HSSXSQ-20	30-1/4	34-3/4	32-1/2	18-1/4 x 22-3/4
36" Gas Tight Hatch	C36HSSXSQ-20	34-1/4	40-3/4	38-1/2	19-3/4 x 24-1/4
42" Gas Tight Hatch	C42HSSXSQ-20	40-1/4	46-3/4	44-1/2	24-1/4 x 31-3/4
48" Gas Tight Hatch	C48HSSXSQ-20	48-1/4	54-3/4	50	25-1/4 x 36-1/8
60" Gas Tight Hatch	C60HSSXSQ-20	60-1/4	66-3/4	64-1/2	29 x 39-5/8
72" Gas Tight Hatch	C72HSSXSQ-20	72-1/4	78-3/4	76-1/2	33-7/8 x 48

- 5/8" thick ASTM A36 smooth steel
- Steel curb fram with anchor legs
- Hot dipped galvanized finish
- Threaded holes for eyebolts to assist in lifting
- 16,000 lbs load rating for use in off-street locations
- Solid, gas tight hatch or hinged hatch
- Acceptable for use in parking garages

Optional Features

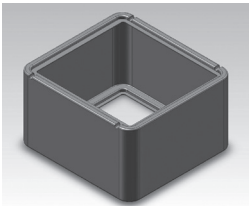
- Trerad plate steel
- Fall through protection

Rectangular Valve Vaults

VAULTS, EXTENSIONS & COVERS



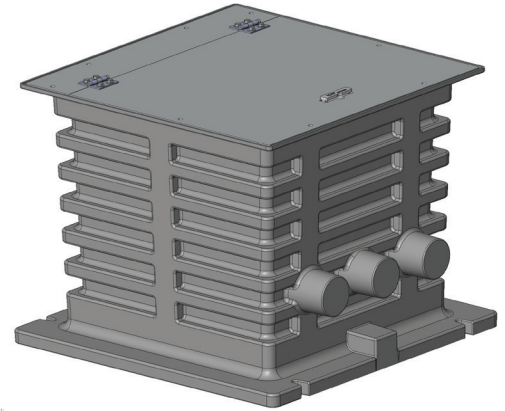
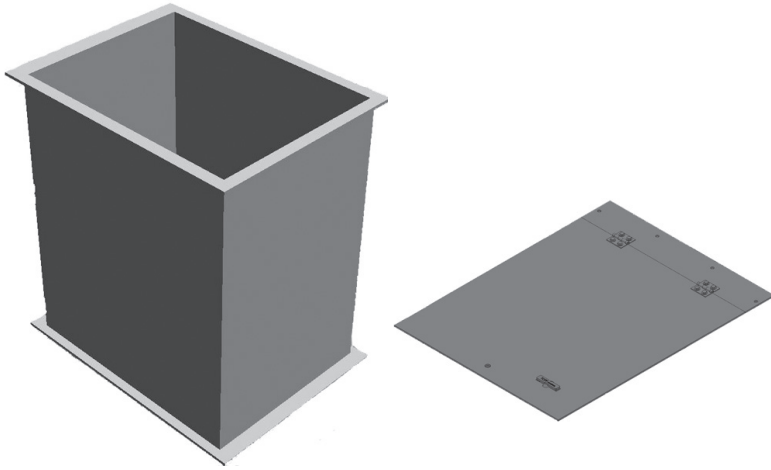
POLY VALVE VAULT		29" W X 29" L X 27" D
Poly Valve Vault		PRVB29X29X27
Steel Frog-Mouth Aluminum Cover		CFM29X29X27
POLY RECTANGULAR VALVE		30" W X 29" L X 26" D
Poly Rectangular Valve Box		PRVB30X29X26
Solid Composite Cover		PRVC30X29X26
Solid Aluminum Cover		PRVC30X29X26A
Frog-Mouth Composite Cover		PRVC30X29X26FM
Frog-Mouth Aluminum Cover		PRVC30X29X26FMA
Extension for Poly Valve Box		PRVBEXT18



- Constructed of durable, noncorrosive polyethylene
- Offers lightweight construction for easy installation and reduced freight costs
- Extremely cost competitive compared to fiberglass or concrete valve vaults
- Available with or without discharge piping and valves
- Optional 18" extension available for applications requiring a discharge depth of 36" down to centerline.
- Custom valve 50x sizes available

Rectangular Valve Vaults

VAULTS, EXTENSIONS & COVERS



FIBERGLASS RECTANGULAR VALVE	VALVE BOX	ALUMINUM COVER
20" Wide x 20" Long x 20" Deep Fiberglass Rectangular Valve Box	FRVB20X20X20F	CFM20X20X20A
32" Wide x 30" Long x 25" Deep Fiberglass Rectangular Valve Box	FRVB32X30X25F	CFM32X30X25A
30" Wide x 40" Long x 36" Deep Fiberglass Rectangular Valve Box	FRVB30X40X36F	CFM30X40X36A
35" Wide x 41" Long x 35" Deep Fiberglass Rectangular Valve Box	FRVB35X41X35F	CFM35X41X35A
42" Wide x 50" Long x 48" Deep Fiberglass Rectangular Valve Box	FRVB42X50X48F	CFM42X50X48A
Hold Open Arm	CFMSSH0A	

- Constructed of fiberglass with an integral fiberglass anti-flotation flange
- Designed to house the valves eliminating the need to enter the wet-well for service work
- Extremely cost competitive compared to fiberglass or concrete valve vaults
- Available with or without discharge piping and valves
- Custom valve 50x sizes available

Stainless Steel Guiderail (SGR)

GUIDERAIL AND DISCHARGE KITS, EXTENSIONS & NIPPLES

STAINLESS STEEL GUIDERAIL KIT	NPT DISCHARGE 1-1/4"	2"
(2) 48" Sections, 1-1/2" OD w/Brass Quick Disconnect	SGR125-48/48	SGR200-48/48
(2) 48" Sections, 1-1/2" OD w/Stainless Steel Quick Disconnect	SGR125SS-48/48	SGR200SS-48/48

Each Kit contains:

- 1-1/2" OD (1-1/4" NPT) or (2" NPT), 16 Gauge 304 Stainless Steel Guiderail
- Discharge Location 3 feet up from the Fiberglass Basin Floor
- Stainless Steel Guiderail Cross Braces, Mounting Plate and Foot Plate
- SGR Guiderail Connector
- Stainless Steel Adjustable Wall Bracket
- 1-1/4" or 2" Brass or Stainless Steel Quick Disconnect
- Cast Iron Ball Check Valve
- Galvanized or Stainless Steel Vertical Pipe Nipples
- Stainless Steel Upper and Lower Pump Guiderail Brackets
- 3/16" 7 x19 304 Stainless Steel Lifting Cable (minimum 3,700 lb break strength)
- 3/8" 304 Stainless Steel Valve Extension Handle
- Assembled and Welded Construction, Boxed and Ready for UPS Shipment



STAINLESS STEEL GUIDERAIL EXTENSIONS	RAIL SYSTEM 1-1/4"	2"
12" Extension	SGR125-12EXT	SGR200-12EXT
24" Extension	SGR125-24EXT	SGR200-24EXT
48" Extension	SGR125-48EXT	SGR200-48EXT

Kit contains:

- Stainless Steel Wall Bracket(s)
- Stainless Steel Intermediate Bracing
- Stainless Steel Attachment Brace
- Guiderail Connectors, Stainless Steel Hardware
- Assembled and Welded Construction
- Boxed and Ready for UPS Shipment



STAINLESS STEEL VERTICAL NIPPLES	1-1/4"	2"
Stainless Steel Vertical Pipe Nipples	SGR125VN	SGR200VNT

- Replace standard galvanized discharge nipples on the moveable side of the SGR with these Stainless Steel Nipples



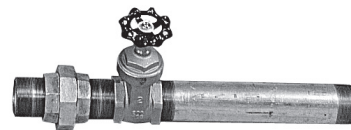
GALVANIZED DISCHARGE KITS	1-1/4"	2"
Simplex Galvanized Discharge Pipe Kit	SD125G	SD200G
Duplex Galvanized Discharge Pipe Kit	DD125G8	DD200G

Simplex Kit contains:

- Galvanized Pipe Nipples
- Brass Gate Valve
- Galvanized Union
- Assembled, Boxed and Ready for UPS Shipment

Duplex Kit contains:

- Galvanized Pipe Nipples
- Brass Gate Valves
- Galvanized Union
- Galvanized Tee and Elbows
- Assembled, Boxed and Ready for UPS Shipment



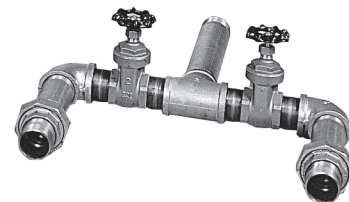
STAINLESS STEEL DISCHARGE KITS	1-1/4"	2"
Simplex Stainless Steel Discharge Pipe Kit	SD125S	SD200S
Duplex Stainless Steel Discharge Pipe Kit	DD125S	DD200S

Simplex Kit contains:

- Stainless Steel Pipe Nipples
- Brass Gate Valve
- Stainless Steel Union
- Assembled, Boxed and Ready for UPS Shipment

Duplex Kit contains:

- Stainless Steel Pipe Nipples
- Brass Gate Valves
- Stainless Steel Union
- Stainless Steel Tee and Elbows
- Assembled, Boxed and Ready for UPS Shipment



Stainless Steel Guiderail (SGR)

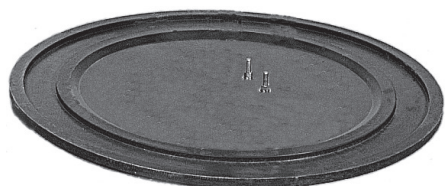
EXTENSIONS & ACCESSORIES



STAINLESS STEEL LIFTING CABLE	LENGTH 4'	8'	10'	20'	30'
3/16" 304 Stainless Steel Lifting Cable with Shackles and Pump Connectors	SSLC-04	SSLC-08	SSLC-10	SSLC-20	SSLC-30

STAINLESS STEEL LIFTING CHAIN	LENGTH 10'	15'	20'	25'	30'
3/16" Dia 300 Series Stainless Steel Lifting Chain with two Stainless Steel Shackles	CHNSS10	CHNSS15	CHNSS20	CHNSS25	CHNSS30

STAINLESS STEEL VALVE EXTENSION HANDLE	GATE 1-1/4"	2"	3"
3/8" 304 Stainless Steel Gate Valve Extension Handle (w/hardware)	SVH125	SVH200	SVH300



SGR GUIDERAIL MOUNTING KIT FOR A PRE-EXISTING FIBERGLASS BASIN	ID BASIN 24"	30"	36"	42"	48"	60"	72"
Stainless Steel Simplex Mounting Studs, Mounted in a Fiberglass Plate	FPSS24	FPSS30	FPSS36	FPSS42	FPSS48	FPSS60	FPSS72
Stainless Steel Duplex Mounting Studs, Mounted in a Fiberglass Plate		FPSD30	FPSD36	FPSD42	FPSD48	FPSD60	FPSD72



THREADED COUPLINGS	NPT 1-1/4"	1-1/2"	2"	3"	4"
Composite Bolt-on Coupling+	C125FG	C150FG			
Composite Coupling+			C200FG		
Steel Bolt-on Coupling, w/Hardware, Sealing Material & Black Industrial Finish+	C125E	C150E	C200E	C300E	C400E
Stainless Steel Bolt-on Coupling, w/Hardware, Sealing Material+	C125S	C150S	C200S	C300S	C400S

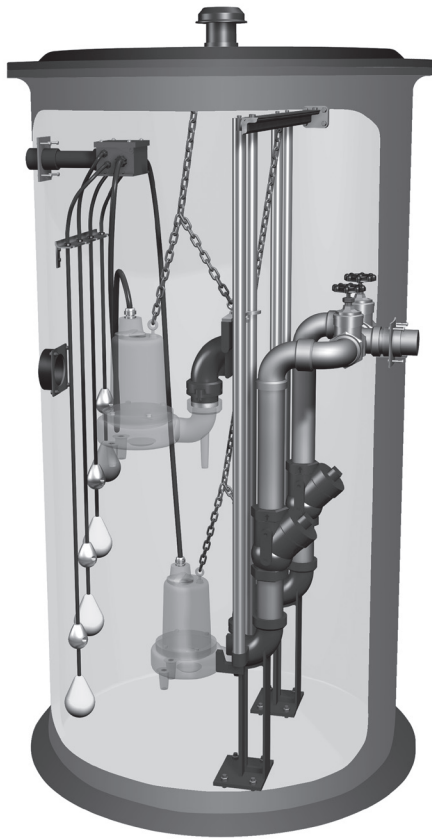
+ Includes hardware pack (bolts, washers and gasket tape)



PIPE SEAL GROMMETS	PIPING OD 1-1/4"	1-1/2"	2"	3"	4"
Pipe Seal Through a 3" Hole	G125	G150	G200		
Pipe Seal Through a 4" Hole				G300	
Pipe Seal Through a 5" Hole					G400
Pipe Seal for SDR35 Through 5" Hole					G400SDR35

Base Elbow Rail System

COMPONENTS

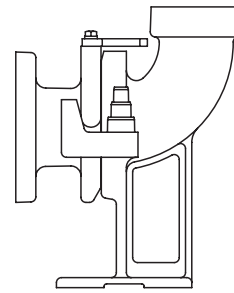
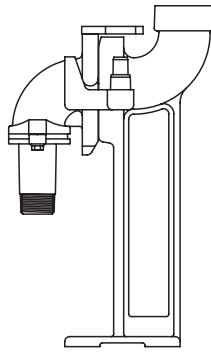


FEATURES

- Built to meet the engineered standards of municipal wastewater stations
- Configured with most vertical and horizontal submersible pumps in the market today
- Systems feature durable iron construction, powder coating for corrosion resistance
- Compact design for easy installation

SYSTEM ACCESSORIES

- Stainless steel or galvanized upper guide rail brackets
- Stainless steel intermediate guide rail brackets for 3/4", 1", 1-1/4" or 2" rails
- Replacement pull-out flanges for all base elbow rail systems
- 2-piece ring and flange assembly
- Specialty pump adapter flanges for Barnes™ SGV and Hydromatic® HPG pumps.
- Flange gasket kits for inlet or discharge of 3"
- Alternate sealing rings for 4" and 6" base elbows

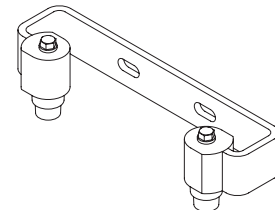


BASE ELBOWS PULL OUT FLANGE	1-1/4"	1-1/2"	2"	3"
SS Pump Adapter	BERS-0125	BERS-0150	BERS-0200	
SS Pump Adapter w/Check Valve	BERS-0125CV	BERS-0150CV	BERS-0200CV	
Bronze (NS) SS Pump Adapter	BERS-0125EX	BERS-0150EX	BERS-0200EX	BERS-0300VEX

PULL OUT FLANGE VERTICAL DISCHARGE	
3" SS Pump Adapter	BERS-0300V
Bronze (NS), 3" SS Pump Adapter	BERS-0300VEX
2" SS Pump Adapter	BERS-0320V
Bronze (NS), 3" x 2" SS Pump Adapter	BERS-0320EX

PULL OUT FLANGE HORIZONTAL DISCHARGE	
3" Horizontal Discharge	BERS-0300H
2 1/2" Horizontal Discharge	BERS-0325H
Bronze (NS), 3" Horizontal Discharge	BERS-0300HEX
3 x 2, Bronze (NS) Horizontal Discharge	BERS-0325HEX

GUIDE RAIL BRACKET	RAIL SIZES	3/4"	1"	1-1/4"
SS Upper Guide Rail Bracket	UGB-STNLS	UGB-STNLS	UGB-STNLS	UGB-STNLS
Powder-coated Upper Guide Rail Bracket	UGB-PC	UGB-PC	UGB-PC	UGB-PC
SS Intermediate Guide Rail Bracket	IGB-0075	IGB-0100	IGB-0125	

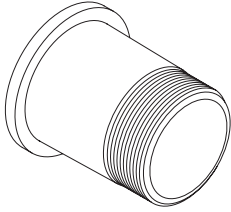


Base Elbow Rail System

COMPONENTS

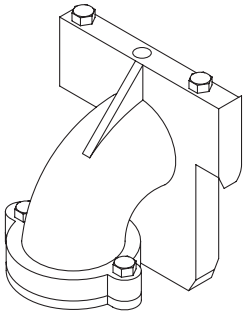


CHAIN PACKAGES	10'	15'	20'	25'	30'
3/16" Dia 300 Series Stainless Steel Lifting Chain w/hardware	CHNSS10	CHNSS15	CHNSS20	CHNSS25	CHNSS30



FREEFLO™ PUMP ADAPTERS	1-1/4"	1-1/2"	2"
SS Pump Adapter	PAF-0125	PAF-0150	PAF-0200

FREEFLO™ PULL-OUT FLANGES FOR EZ-OUT RETROFIT	1-1/4"	2"
Replacement Pull-Out Flange for Elbow	EZR-POF-0125	EZR-POF-0200
Replacement Pull-Out Flange for Check Valve Elbow	EZR-POF-0125CV	EZR-POF-0200CV
Replacement Pull-Out Flange for Horizontal Elbow		EZR-POF-0300H

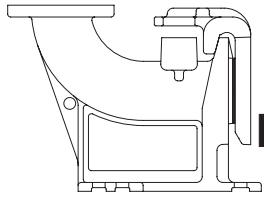


FREEFLO™ PULL-OUT FLANGES	1-1/4" - 2"	2-1/2"	3"
Pull-Out Flange	POF-0200		
Pull-Out Flange w/ Check Valve	POF-0200CV		
Bronze (NS) Pull-Out Flange	POF-0200EX		
Pull-Out Flange for Vertical Discharge Systems			POF-0300V
Pull-Out Flange for Horizontal Discharge SystemS		POF-0325H	POF-0300H
Bronze (NS) Pull-Out Flange Horizontal Discharge Systems			POF-0300HEX

FREEFLO™ ADAPTERS AND FITTINGS			
Replacement O-Ring Kit (2 pcs.) for 1½" - 2" Systems			BERS-OR0200
Optional Adapter (Spacer) for Hpg Grinder Pumps to Ease Installation			HPGADAPTER
Optional Adapter (Spacer) for Svg Grinder Pumps to Ease Installation			SGVADAPTER
Sealing Gasket & Bolt / Nut Kit for 3" Horizontal Discharge Systems			POK-0300
Replacement O-Ring Kit (2 pcs.) for 3" Systems			BERS-OR0300

FREEFLO™ QUICK DISCONNECT SYSTEM	1-1/4"	2"	2½"	36"
Quick Disconnect Valve	QDV125	QDV200		
Quick Disconnect Hose (priced per foot) QDHS125	QDHS200			
Stainless Steel Quick Disconnect Flange	SFL125	SFL200		
Stainless Steel Threaded Removal Handle			QDVHD24	QDVHD36

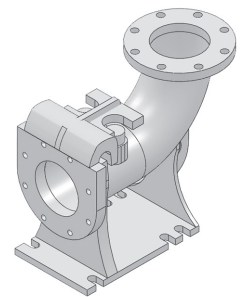
Base Elbow Rail System



HORIZONTAL DISCHARGE SYSTEM REPLACEMENT PARTS

FREEFLO™ 4" SYSTEMS AND REPLACEMENT PARTS	2"	3"	4"
Base Elbow, Pull-Out Flange		BERS-0430	BERS-0400
Base Elbow, Bronze (NS) Pull-Out Flange			BERS-0400HEX
Pull-Out Flange		POF-0430	POF-0400
Bronze (NS) Pull-Out Flange		POF-0400HEX	
SS Upper Guide Rail Bracket	UGB-0200		
SS Intermediate Guide Rail Bracket	GB-0200		
Sealing Gasket & Bolt/Nut Kit			POK-0400
Replacement SS Sealing Rings			SR-0400
Alternate Heavy Duty Rubber Ring			FG-0400

FREEFLO™ 6" SYSTEMS AND REPLACEMENT PARTS	4"	6"
Base Elbow, Pull-Out Flange	BERS-0640	BERS-0600
Base Elbow, Bronze (NS) Pull-Out Flange		BERS-0600HEX
Pull-Out Flange	POF-0640	POF-06000
Bronze (NS) Pull-Out Flange		POF-0600HEX
SS Upper Guide Rail Bracket		UGB-0200
Sealing Gasket & Bolt/Nut Kit		POK-0600
Replacement SS Sealing Rings		SR-0600
Alternate Heavy Duty Rubber Ring		FG-0600



FREEFLO™ 8" SYSTEMS AND REPLACEMENT PARTS	3"	6"	8"
Base Elbow, Pull-Out Flange		BERS-0860	BERS-0800
Base Elbow, Bronze (NS) Pull-Out Flange			BERS-0800HEX
Pull-Out Flange		POF-08600	POF-0800
Bronze (NS) Pull-Out Flange			POF-0800HEX
SS Upper Guide Rail Bracket	UGB-0300		
SS Intermediate Guide Rail Bracket	IGB-0300		
Sealing Gasket & Bolt/Nut Kit			POK-0800
Replacement SS Sealing Rings			SR-0800
Alternate Heavy Duty Rubber Ring			FG-0800

Prefabricated Fiberglass Lift Station

Simplex SGR Standard Discharge

PUMP INFORMATION

Model NO: _____

Rating: _____ GPM _____ TDH

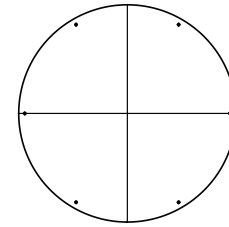
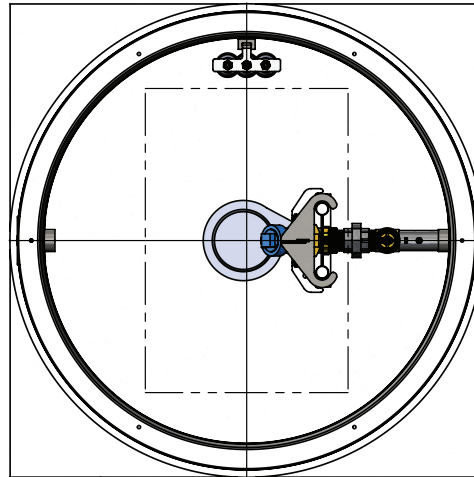
Motor: _____ HP _____ RPM

Elec: _____ PH _____ HZ _____ v

Elec: _____ FL AMPS

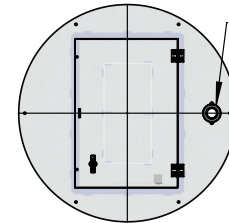
DISCHARGE PIPE

- 1 1/4"
- 2"



Solid Cover

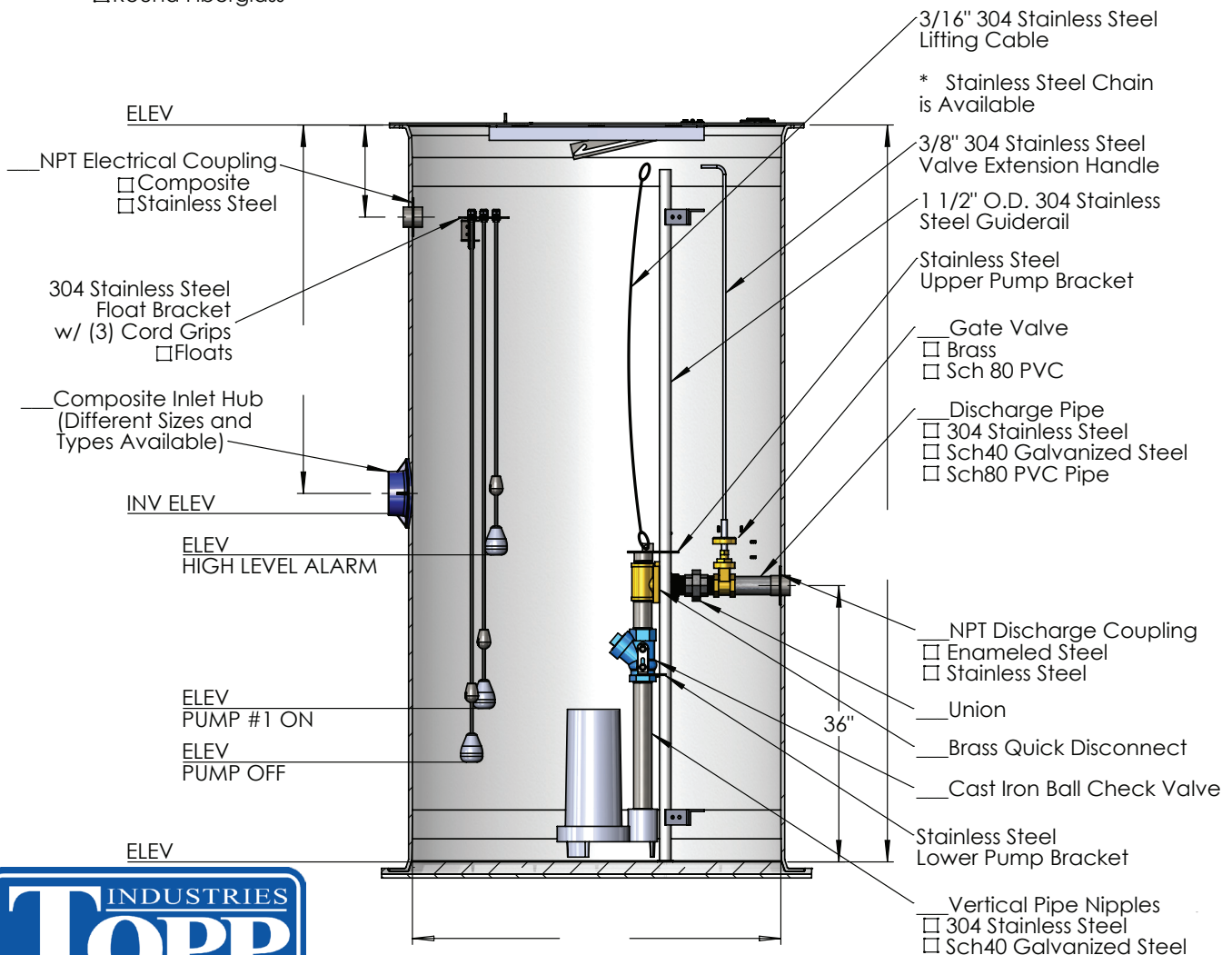
- Fiberglass
- Steel



Hinged and Lockable Cover

- Fiberglass
- Aluminum
- Steel

- Anti-Floatation Flange
- Fiberglass Encapsulated
 - ASTM A-36 Steel
 - Round Fiberglass



Prefabricated Fiberglass Lift Station

Simplex SGR Elevated Discharge

PUMP INFORMATION

Model NO: _____

Rating: _____ GPM _____ TDH

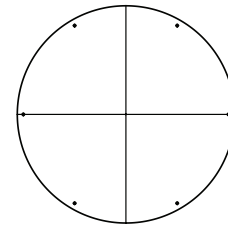
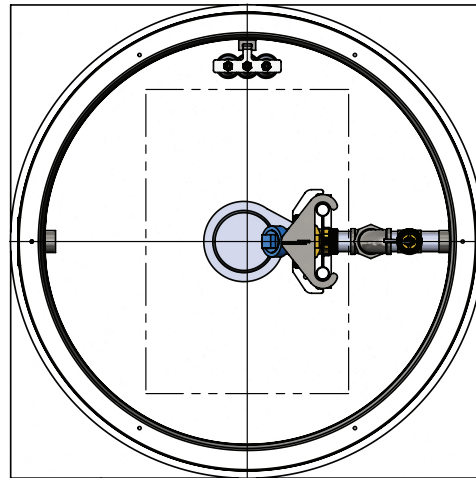
Motor: _____ HP _____ RPM

Elec: _____ PH _____ HZ _____ v

Elec: _____ FL AMPS

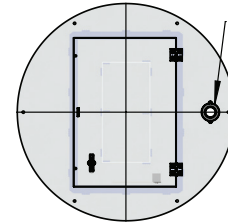
DISCHARGE PIPE

- 1 1/4"
- 2"



Solid Cover

- Fiberglass
- Steel

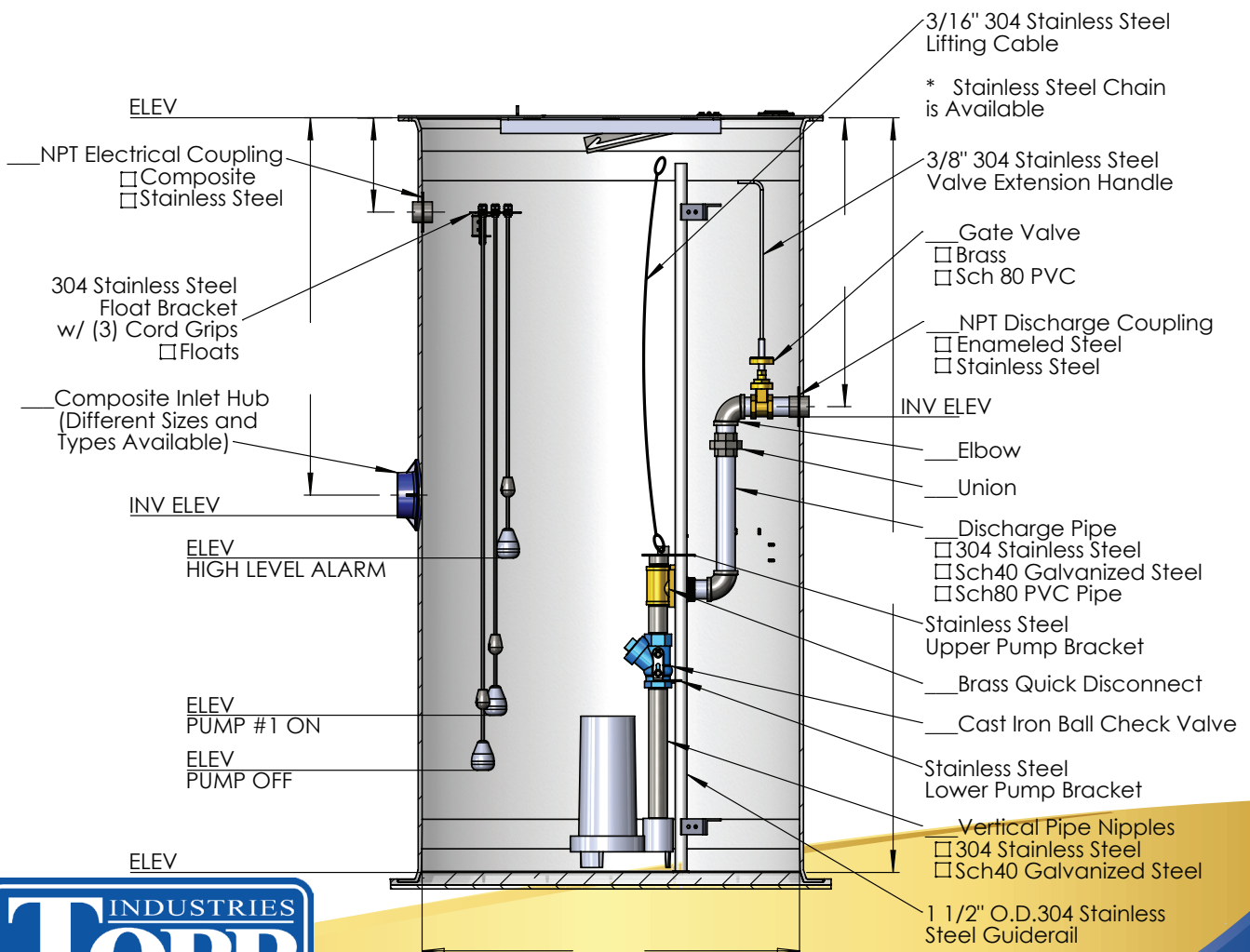


NPT Vent Flange

Hinged and Lockable Cover

- Fiberglass
- Aluminum
- Steel

- Anti-Floatation Flange
 - Fiberglass Encapsulated
 - ASTM A-36 Steel
 - Round Fiberglass



Prefabricated Fiberglass Lift Station

Duplex SGR Standard Discharge

PUMP INFORMATION

Model NO: _____

Rating: _____ GPM _____ TDH

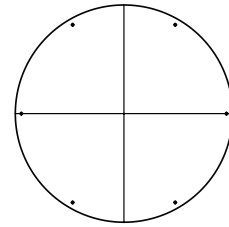
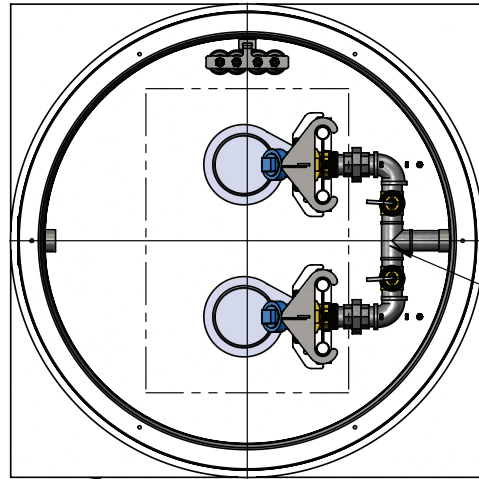
Motor: _____ HP _____ RPM

Elec: _____ PH _____ HZ _____ v

Elec: _____ FL AMPS

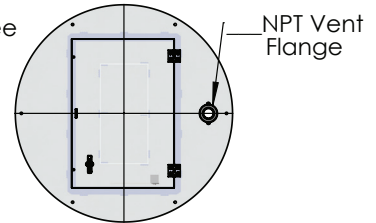
DISCHARGE PIPE

- 1 1/4"
- 2"



Solid Cover

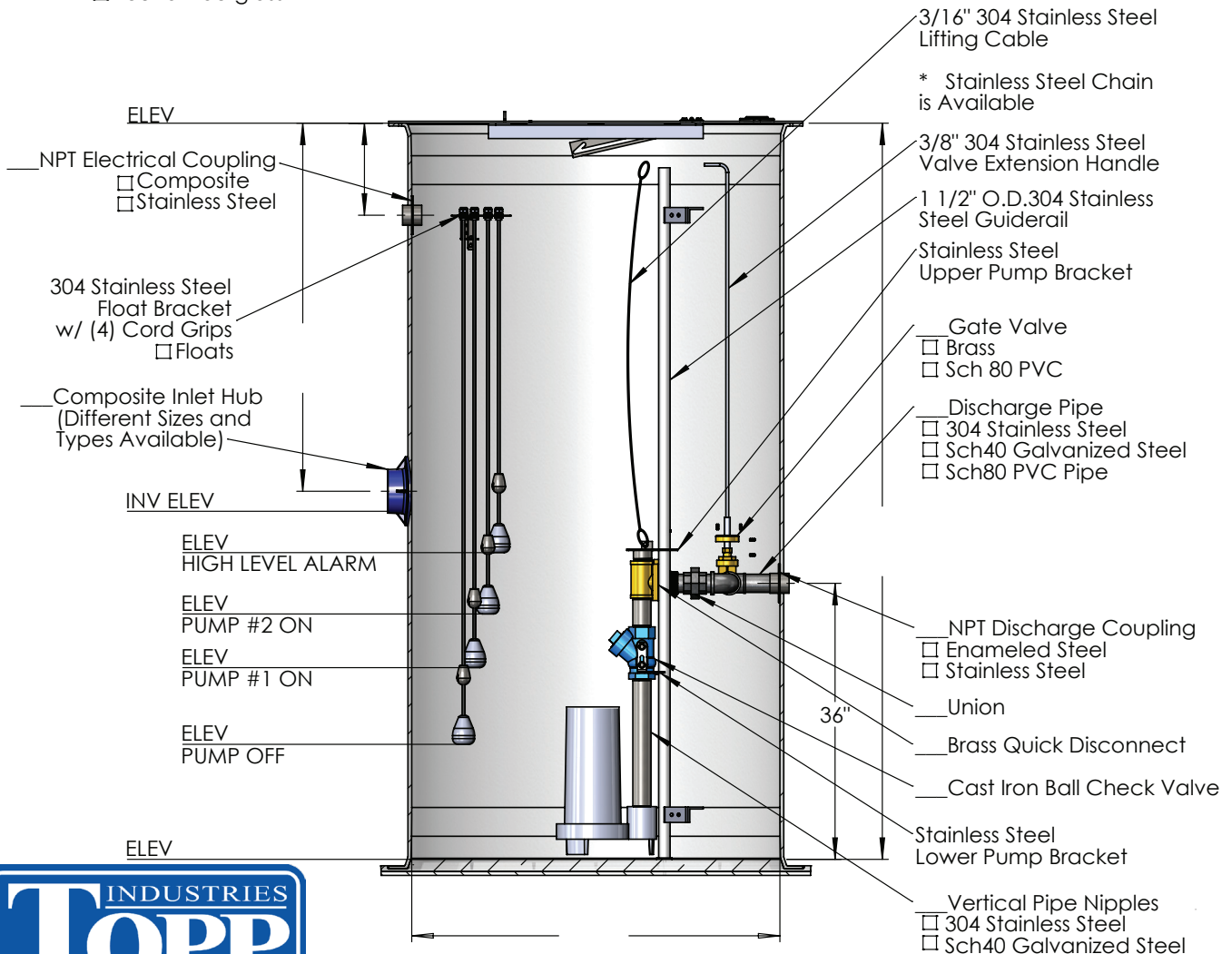
- Fiberglass
- Steel



Hinged and Lockable Cover

- Fiberglass
- Aluminum
- Steel

- Anti-Floatation Flange
- Fiberglass Encapsulated
 - ASTM A-36 Steel
 - Round Fiberglass



Prefabricated Fiberglass Lift Station

Duplex SGR Elevated Discharge

PUMP INFORMATION

Model NO: _____

Rating: _____ GPM _____ TDH

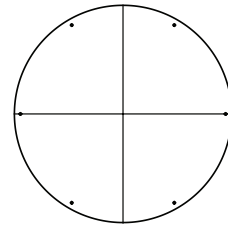
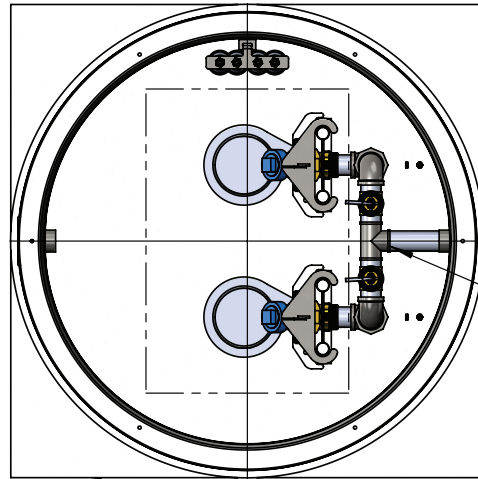
Motor: _____ HP _____ RPM

Elec: _____ PH _____ HZ _____ v

Elec: _____ FL AMPS

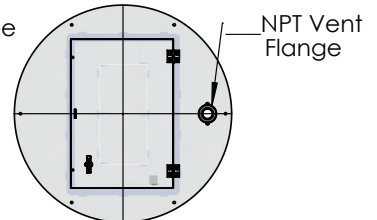
DISCHARGE PIPE

- 1 1/4"
- 2"



Solid Cover

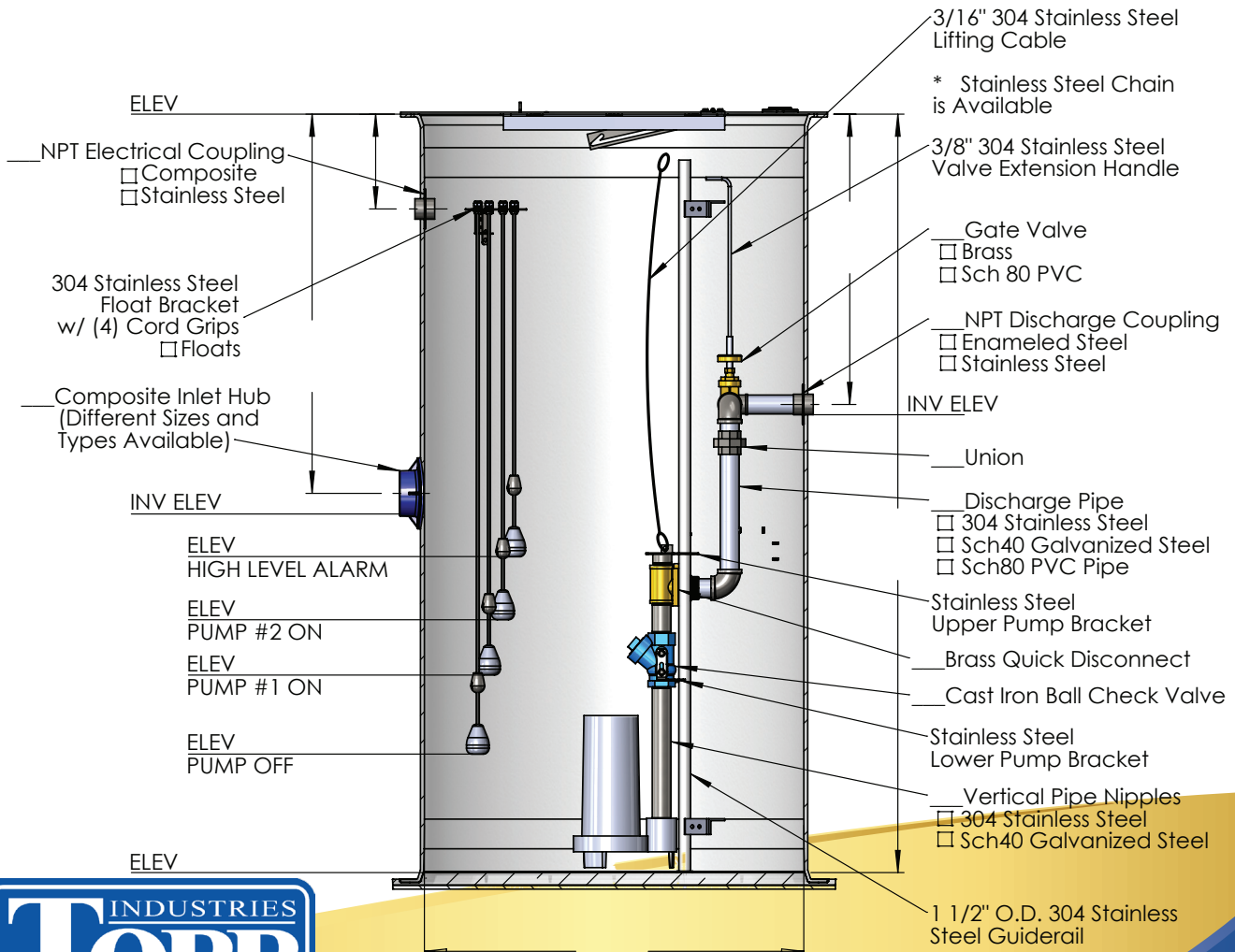
- Fiberglass
- Steel



Hinged and Lockable Cover

- Fiberglass
- Aluminum
- Steel

- Anti-Floatation Flange
- Fiberglass Encapsulated
- ASTM A-36 Steel
- Round Fiberglass



Prefabricated Fiberglass Lift Station

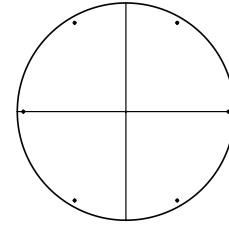
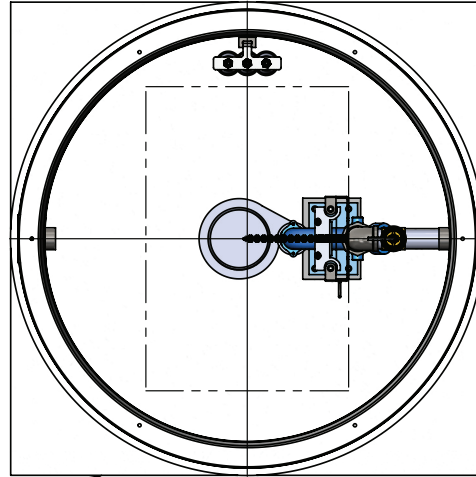
Simplex Side Discharge

PUMP INFORMATION

Model NO: _____
 Rating: _____ GPM _____ TDH
 Motor: _____ HP _____ RPM
 Elec: _____ PH _____ HZ _____ v
 Elec: _____ FL AMPS

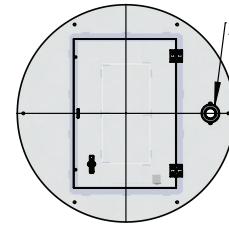
DISCHARGE PIPE

- 1 1/4"
- 1 1/2"
- 2"
- 3"



Solid Cover

- Fiberglass
- Steel

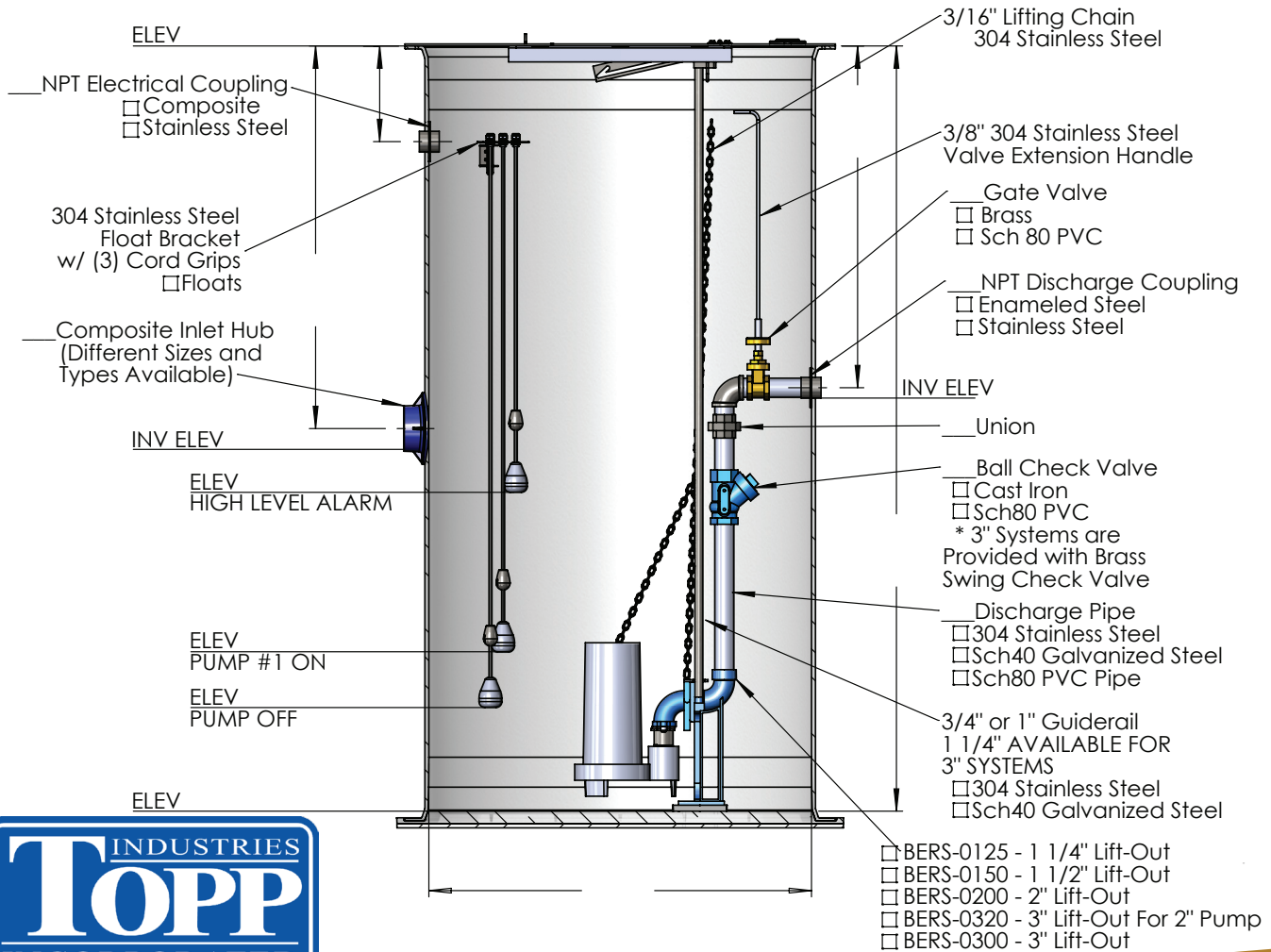


NPT Vent Flange

Hinged and Lockable Cover

- Fiberglass
- Aluminum
- Steel

- Anti-Floataion Flange
- Fiberglass Encapsulated
 - ASTM A-36 Steel
 - Round Fiberglass



Prefabricated Fiberglass Lift Station

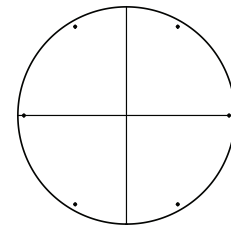
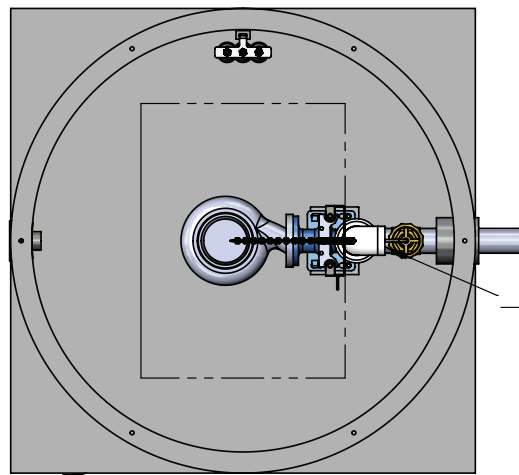
Simplex Side Discharge

PUMP INFORMATION

Model NO: _____
 Rating: _____ GPM _____ TDH
 Motor: _____ HP _____ RPM
 Elec: _____ PH _____ HZ _____ v
 Elec: _____ FL AMPS

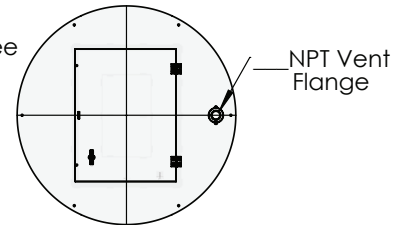
DISCHARGE PIPE

- 3"
- 4"



Solid Cover

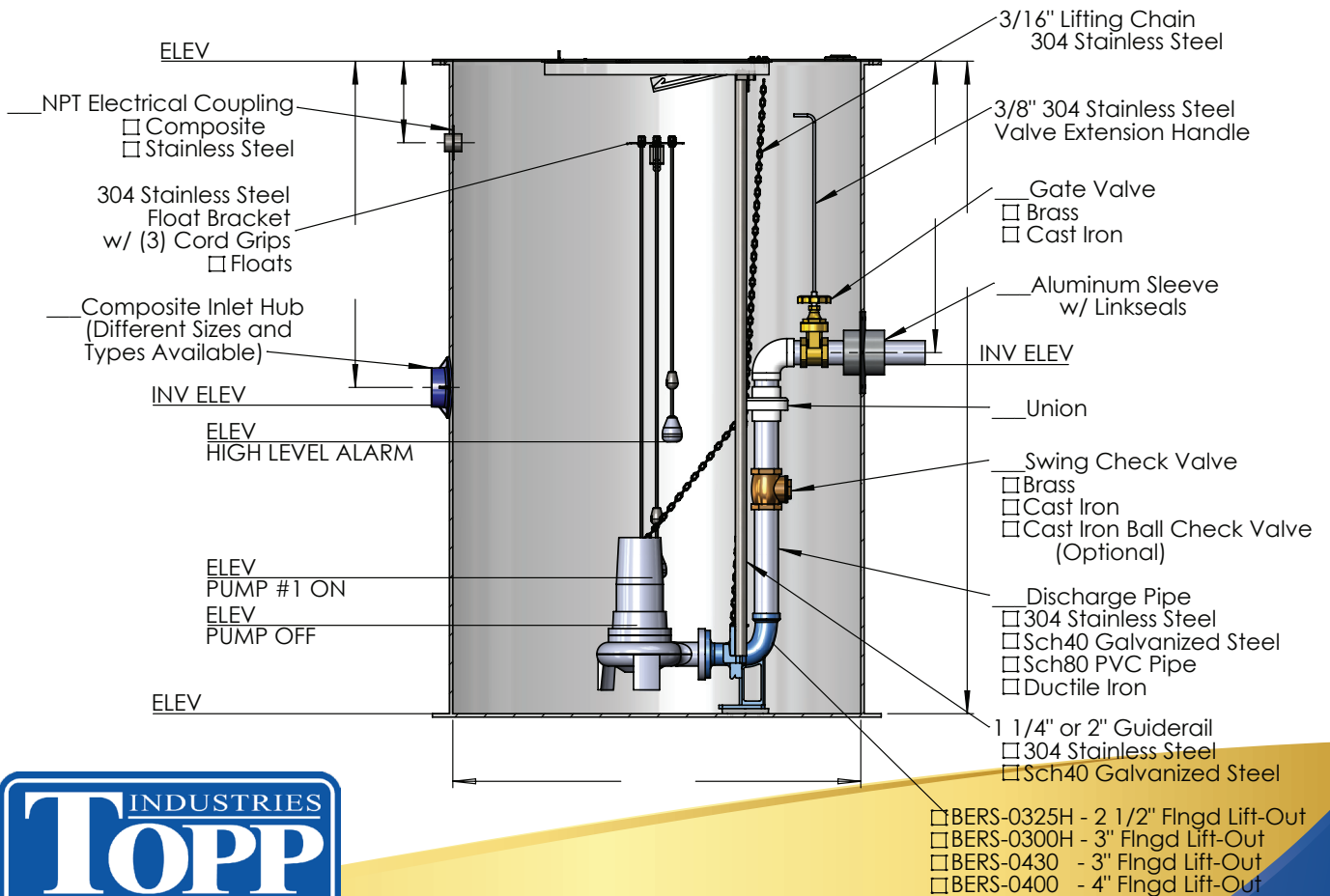
- Fiberglass
- Steel



Hinged and Lockable Cover

- Fiberglass
- Aluminum
- Steel

- Anti-Floation Flange
- Fiberglass Encapsulated
 - ASTM A-36 Steel
 - Round Fiberglass



Prefabricated Fiberglass Lift Station

Duplex Side Discharge

PUMP INFORMATION

Model NO: _____

Rating: _____ GPM _____ TDH

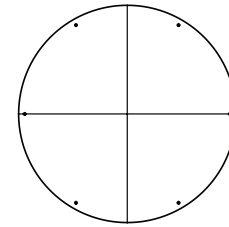
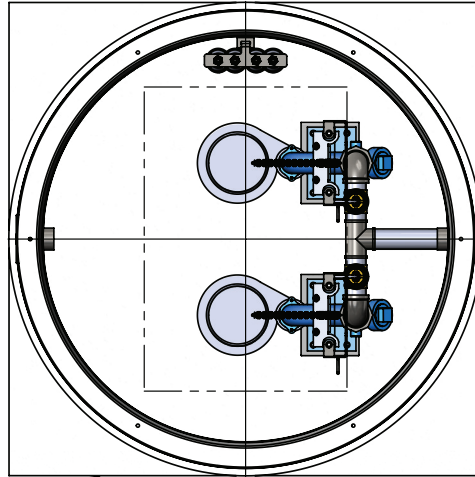
Motor: _____ HP _____ RPM

Elec: _____ PH _____ HZ _____ v

Elec: _____ FL AMPS

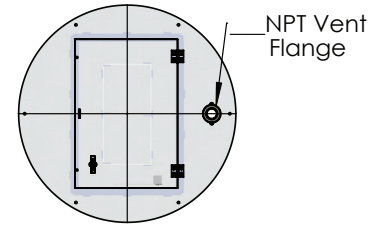
DISCHARGE PIPE

- 1 1/4"
- 1 1/2"
- 2"
- 3"



Solid Cover

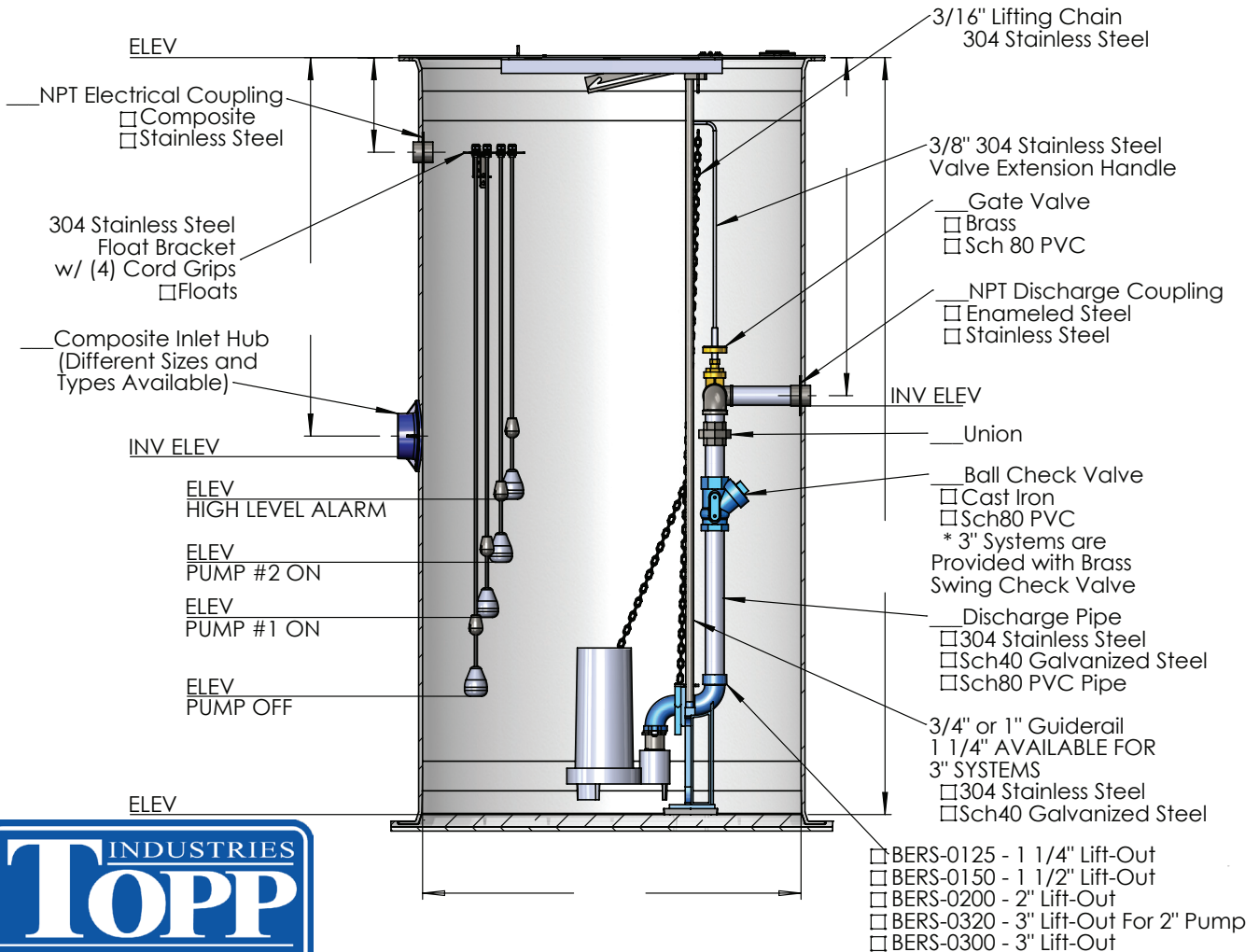
- Fiberglass
- Steel



Hinged and Lockable Cover

- Fiberglass
- Aluminum
- Steel

- Anti-Floatation Flange
- Fiberglass Encapsulated
 - ASTM A-36 Steel
 - Round Fiberglass



16734

Prefabricated Fiberglass Lift Station

Duplex Side Discharge

PUMP INFORMATION

Model NO: _____

Rating: _____ GPM _____ TDH

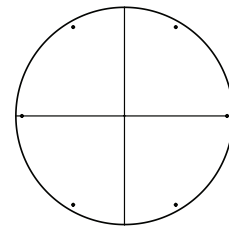
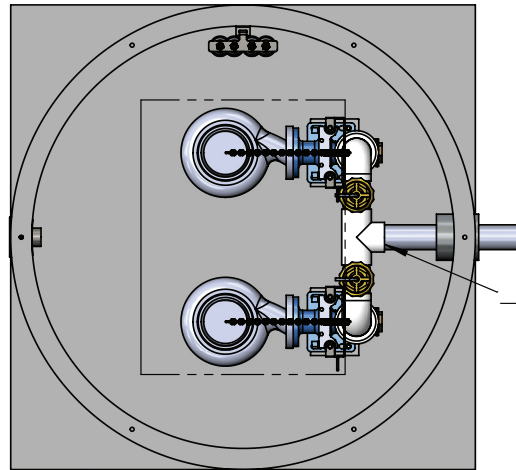
Motor: _____ HP _____ RPM

Elec: _____ PH _____ HZ _____ v

Elec: _____ FL AMPS

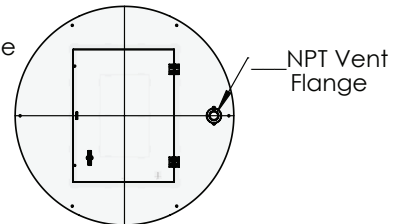
DISCHARGE PIPE

- 3"
- 4"



Solid Cover

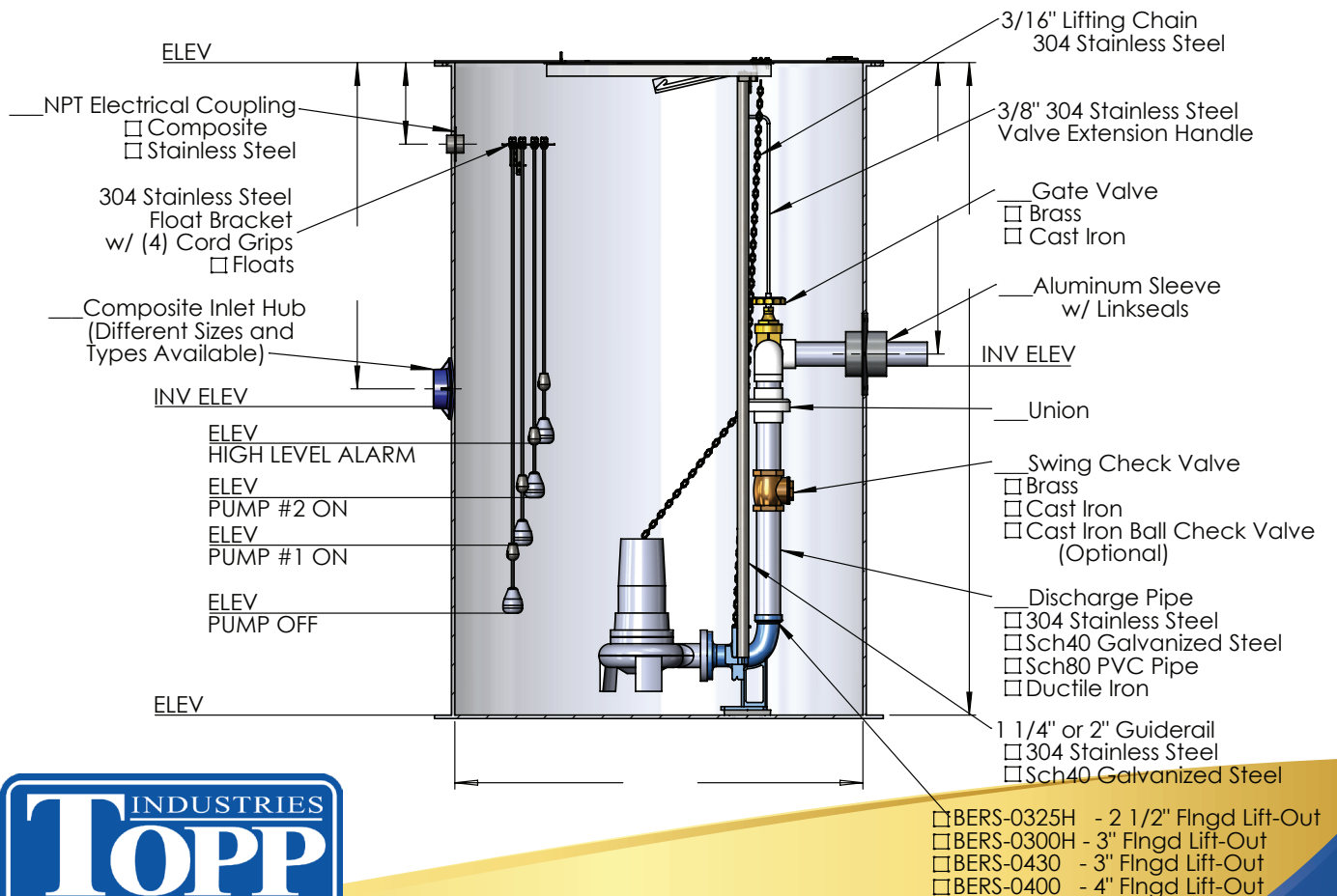
- Fiberglass
- Steel



Hinged and Lockable Cover

- Fiberglass
- Aluminum
- Steel

- Anti-Floatation Flange
- Fiberglass Encapsulated ASTM A-36 Steel
- Round Fiberglass



16759

Lift Station with Cylindrical Attached Valve Box

3' & 4" Discharge

PUMP INFORMATION

Model NO: _____

Rating: _____ GPM _____ TDH

Motor: _____ HP _____ RPM

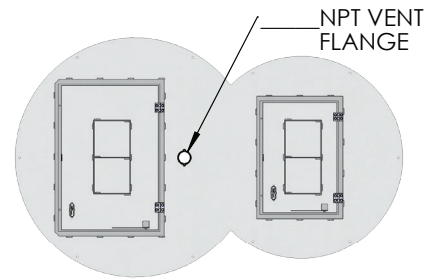
Elec: _____ PH _____ HZ _____ v

Elec: _____ FL AMPS

Rail System: _____

DISCHARGE PIPE

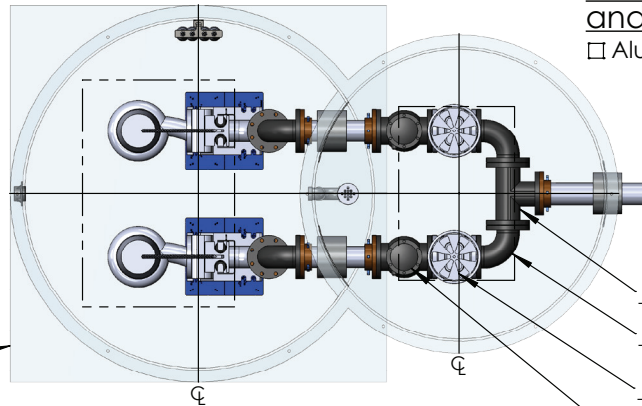
- 3"
- 4"



One Piece Hinged and Lockable Cover

- Aluminum
- Steel

Anti-Floatation Flange
Fiberglass Encapsulated
ASTM A-36 Steel



- ___ Tee
- ___ 90° Elbow
- ___ Cast Iron Gate Valve
- ___ Cast Iron Swing Check Valve

3/16" Lifting Chain
304 Stainless Steel

___ Green Vent

ELEV

- ___ NPT Electrical Coupling
- Composite
- Stainless Steel

304 Stainless Steel
Float Bracket
w/ (4) Cord Grips
 Floats

___ Composite Inlet Hub
(Different Sizes and
Types Available)

INV ELEV

ELEV
HIGH LEVEL ALARM

ELEV
PUMP #2 ON

ELEV
PUMP #1 ON

ELEV
PUMP OFF

ELEV

INV ELEV

12" Min.

___ Bolt-On Aluminum
Sleeve w/Linkseals

___ Valvebox Drain
w/PVC Check Valve

___ Guiderail
 Sch40 Galvanized Steel
 304 Stainless Steel

___ Discharge Pipe
 Sch40 Galvanized Steel
 Sch80 PVC Pipe
 304 Stainless Steel
 Ductile Iron Pipe

___ Companion Flange



10471

Lift Station with Attached Flat Wall Valve Box

3' & 4" Discharge

PUMP INFORMATION

Model NO: _____

Rating: _____ GPM _____ TDH

Motor: _____ HP _____ RPM

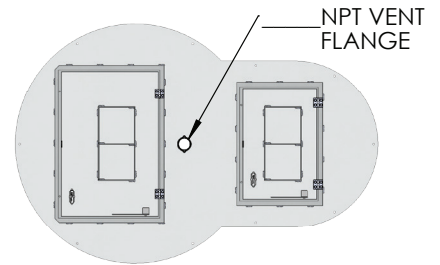
Elec: _____ PH _____ HZ _____ V

Elec: _____ FL AMPS

Rail System: _____

DISCHARGE PIPE

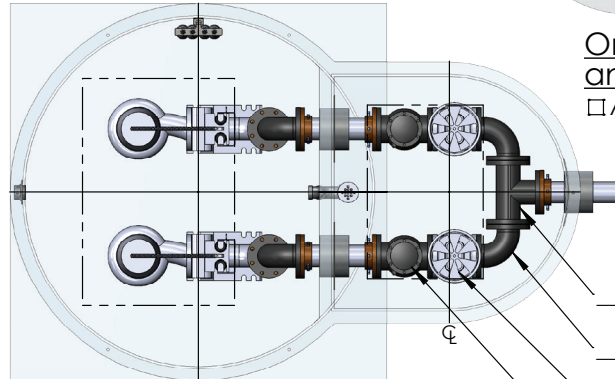
- 3"
- 4"



One Piece Hinged and Lockable Cover

- Aluminum
- Steel

Anti-Floatation Flange
Fiberglass Encapsulated
ASTM A-36 Steel



Tee

90° Elbow

Cast Iron
Gate Valve

Cast Iron
Swing Check Valve

3/16" Lifting Chain
304 Stainless Steel

Green Vent

ELEV

NPT Electrical Coupling
 Composite
 Stainless Steel

304 Stainless Steel
Float Bracket
w/ (4) Cord Grips
 Floats

Composite Inlet Hub
(Different Sizes and
Types Available)

INV ELEV

ELEV
HIGH LEVEL ALARM

ELEV
PUMP #2 ON

ELEV
PUMP #1 ON

ELEV
PUMP OFF

ELEV

48"

INV ELEV

12" Min.

Bolt-On Aluminum
Sleeve w/Linkseals

Valvebox Drain
w/PVC Check Valve

Guiderail
 Sch40 Galvanized Steel
 304 Stainless Steel

Discharge Pipe
 Sch40 Galvanized Steel
 Sch80 PVC Pipe
 304 Stainless Steel
 Ductile Iron Pipe

Companion Flange



Lift Station with Attached Cylindrical Valve Box

1.25' & 2" Discharge

PUMP INFORMATION

Model NO: _____

Rating: _____ GPM _____ TDH

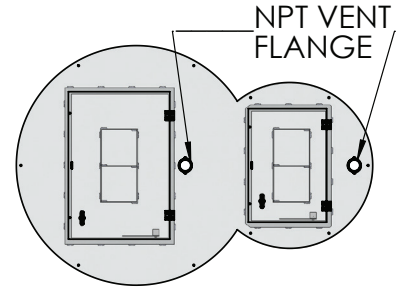
Motor: _____ HP _____ RPM

Elec: _____ PH _____ HZ _____ v

Elec: _____ FL AMPS

DISCHARGE PIPE

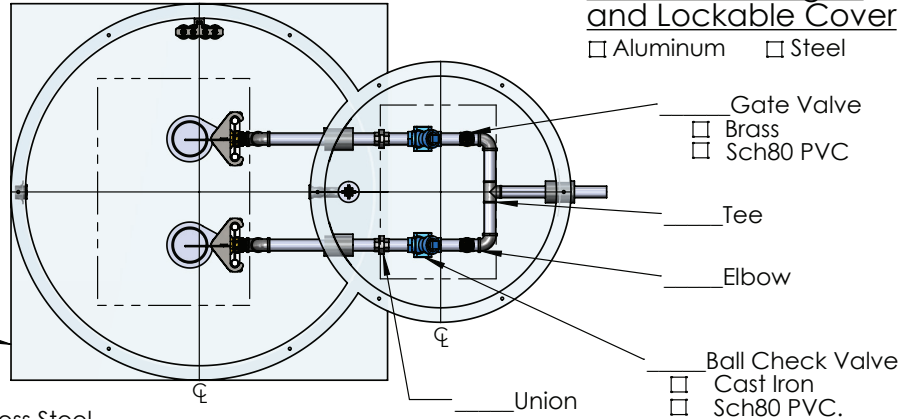
- 1-1/4"
- 2"



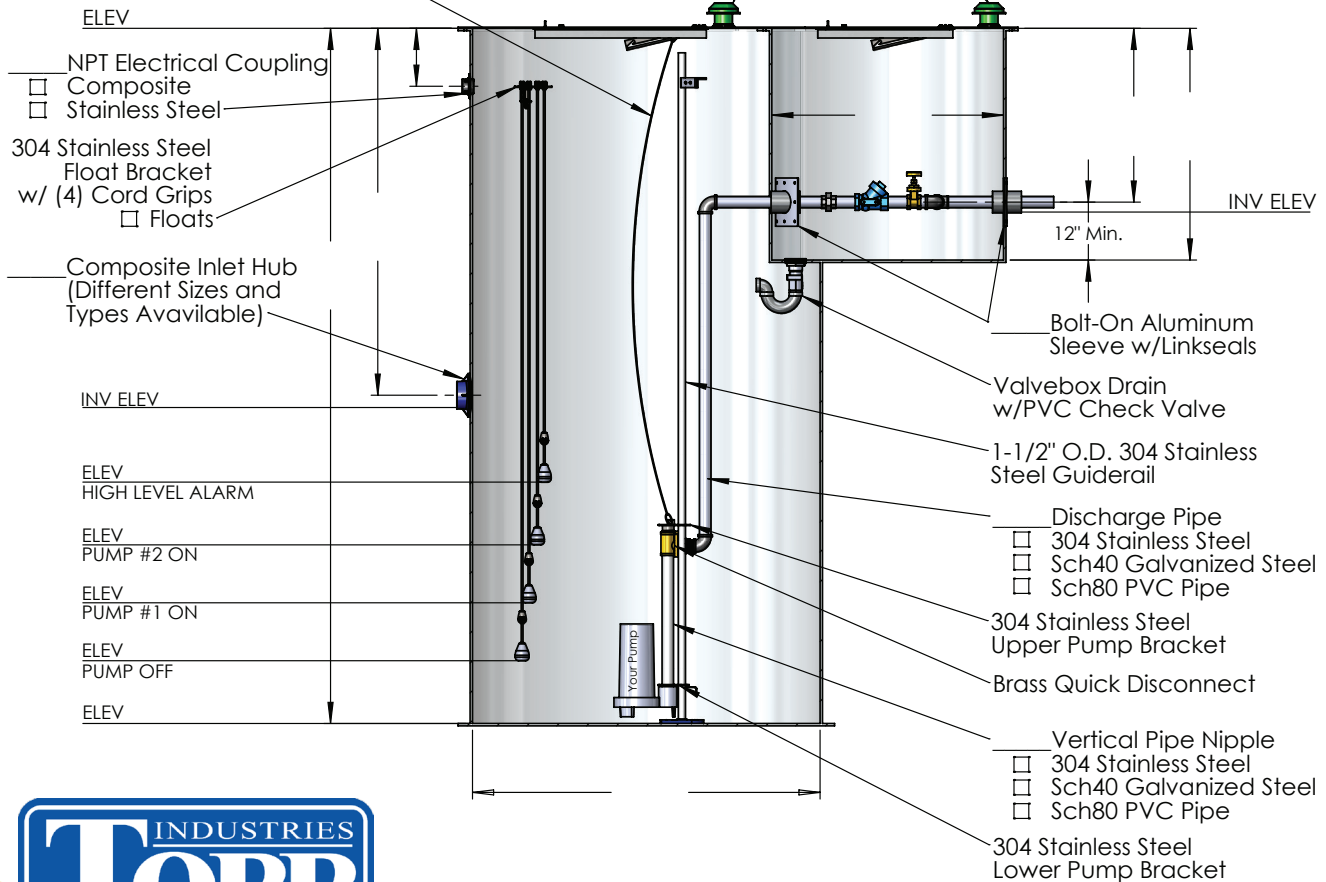
One Piece Hinged and Lockable Cover

- Aluminum
- Steel

Anti-Floatation Flange
Fiberglass Encapsulated
ASTM A-36 Steel



3/16" 304 Stainless Steel
Lifting Cable
* Stainless Steel Chain
is Available



11091



TOPP GREASE/OIL INTERCEPTOR SYSTEM - WSSC

GREASE/OIL INTERCEPTOR SYSTEMS

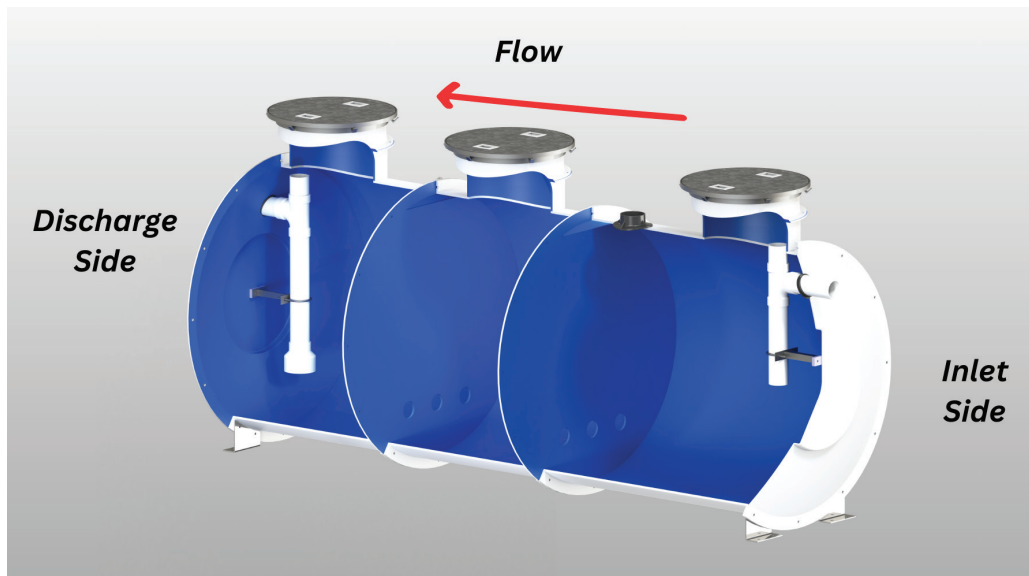


FEATURES

- Above or below ground installation
- Separates fats, oils and greases (FOG), heavy sediments and other contaminants in the wastewater stream that may build up and interfere with proper drainage into the sewage system
- Corrosion resistant, filament wound fiberglass
- White gel coated exterior
- Stainless steel lifting lugs
- 4" Inlet/Outlet/Vent
- Above and below ground installation
- Available in 500, 750, 1,000 and 1,600 gallon units
- Washington Suburban Sanitary Commission (WSSC) approved and IPC (International Plumbing Code) compliant
- 30 year warranty

COVER OPTIONS

- H20 rated solid galvanized steel
- Solid fiberglass (for above ground installation only)



GREASE/OIL INTERCEPTOR SYSTEM - WSSC

	US GALLONS	LB WEIGHT	LENGTH
INTERCEPT500-WSSC	500	915	84"
INTERCEPT750-WSSC	750	1,100	118"
INTERCEPT1000-WSSC	1,000	1,275	155"
INTERCEPT1600-WSSC	1,600	1,450	173"

Manhole

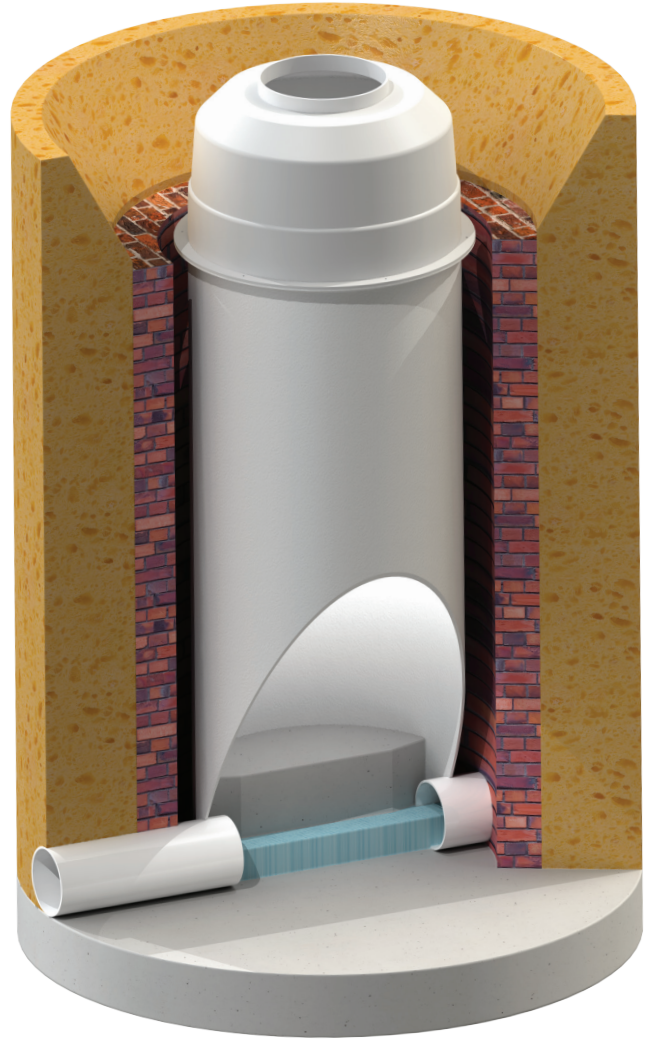
REHABILITATION MANHOLE

FEATURES

- Efficient solution to the wear and tear of aging manholes
- Constructed of durable, corrosion-resistant fiberglass
- Available in 42" diameter and 48" diameter with custom depths
- Designed for H-20 traffic applications
- Ability to be shipped via common carrier
- Exceeds all industry standards

REHABILITATION MANHOLE

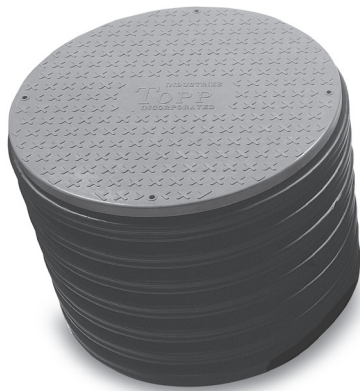
	LENGTH
RM4200	42"
IRM4800	48"



Septic Risers

Polyethylene and Fiberglass

RISERS & ACCESSORIES



BLACK CORRUGATED PIPE



GREEN ULTRA RIB



POLY SEPTIC RISER EXTENSION

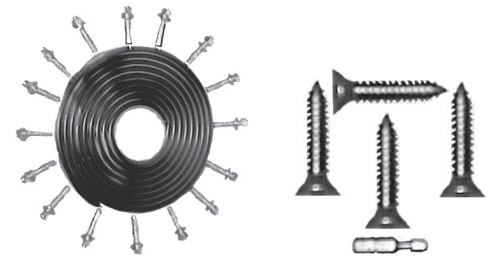
24"

24" ID Poly Septic Riser Extension

BPSR24X6E

RISER EXTENSION KIT INCLUDES:

- (1) 24" ID x 6" Polyethylene Septic Riser Extension, for use on part #'s BPSR24X6C, BPSR24X6R, BPSR24X24C, and BPSR24X24R
- (4) 1/4"-20 stainless steel hex head bolts, washers, nuts
- (1 roll) Butyl Gasket Material



GASKET PACKS

POLYETHYLENE SEPTIC RISER

Retrofitting Gasket Pack

GPSRE

- For retrofit installation of polyethylene riser to concrete septic tank

GASKET PACK KIT INCLUDES:

- (10) Concrete Anchors, Nuts, and Washers
- (1 roll) Butyl Gasket Material

FIBERGLASS SEPTIC RISER

Gasket Pack

GP25WFNS

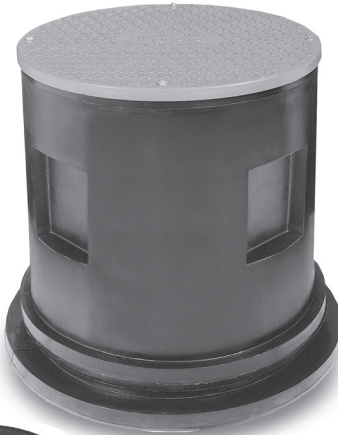
- For Non-Skid Solid Fiberglass Septic Riser Cover

GASKET PACK KIT INCLUDES:

- (4) 1/4x1" stainless steel, tamper-proof, flush-mount lag bolts
- (1) 3/16" hex head driver
- (1) Gasket Material installed.
- With Hardware and Sealing Material

FEATURES

- Designed to fit new and retrofit older concrete septic tanks
- TOPP corrosion-resistant polyethylene septic tank risers eliminate the need to cut tubing from awkward lengths
- Risers are available in 24" and 6" heights for bolt-on or concrete cast-in work
- 6" extensions are also available
- Risers and extensions are lightweight and UPS shippable
- Our popular fiberglass cover securely fits TOPP poly risers and extensions
- Save time, money and productivity



POLYETHYLENE SEPTIC RISER

24" ID X 6"

24" ID X 24"

Poly Septic Riser, for Concrete Casting

BPSR24X6C

BPSR24X24C

Poly Septic Riser, Used for Retrofit

BPSR24X6R

BPSR24X24R

RISER KIT INCLUDES:

- (1) Polyethylene Septic Riser, used for retrofit on concrete septic tanks
- (10) Concrete Anchors, Nuts, and Washers
- (1 roll) Butyl Gasket Material

NON-SKID SOLID FIBERGLASS SEPTIC COVER

24" ID Non-Skid Fiberglass "Heavy" Septic Riser Cover

C25WFNST

FG Septic Riser Cover-Lite, Non-Skid (Dot) Rubber Gasket

C25WFNSLT-RG

DESIGNED TO FIT POLYETHYLENE SEPTIC RISERS:

- 24" ID Topp Polyethylene Septic Riser
- 24" ID Ultra Rib Septic Riser
- 24" ID Spiral Septic Riser
- 24" ID Polyethylene Corrugated Wall Septic Riser
- 24" ID Polyethylene Corrugated Smooth Wall Septic Riser

RISER COVER INCLUDES:

- Stainless steel hex head bolts washers, nuts
- (1 roll) Butyl Gasket Material



UNISEAL

FEATURES



- A Positive Pipe-to-Tank Seal for Flat or Curved Surfaces
- Seals are designed for holding tanks but work well in any application where pipe penetrations are required
- Perfect for hydroponic growers, pond suppliers, and reef and marine industries. Other applications include wastewater lift stations, valve boxes, sump risers, pump stations, dispenser pans, junction boxes cooling systems and boats
- UNISEAL PIPE SEALS quickly create a secure watertight seal without any adhesive, hardware or threads and can be used through the walls of any container or filter box
- A lubricant is also available to ease the installation of UNISEAL PIPE SEALS and is used to coat the interior surface of the UNISEAL PIPE SEALS and the exterior of the pipe
- An adhesive for a petroleum resistant bond between the UNISEAL PIPE SEALS and fiberglass, polyethylene and metals is also offered
- Models available for accommodating 3/8" piping (through 1" hole) up to 6" piping (through 7" hole)
- Easy installation
- Tough, pliable thermoplastic material
- Excellent resistance to most chemical compounds, petroleum products, methanol, ethanol and most soil compounds
- Ideal for use with PVC, galvanized steel, copper, EMT, rigid conduit, fiberglass and polyethylene pipe

UNISEAL	THROUGH HOLE	1"	1-1/4"	1-3/4"	2"	2-1/2"	3"	4"	5"	5-1/2"	7"
Pipe Seal for 3/8" Piping (.0675" OD)		U038									
Pipe Seal for 1/2" Piping (.0840" OD)			U050								
Pipe Seal for 3/4" Piping (2.000" OD)			U075								
Pipe Seal for 1" Piping (2.005" OD)				U100							
Pipe Seal for 1 1/4" Piping (2.000" OD)					U125						
Pipe Seal for 1 1/2" Piping (2.000" OD)						U150					
Pipe Seal for 2" Piping (3.005" OD)							U200				
Pipe Seal for 2" Piping (SDR35 Pipe)							U200-35				
Pipe Seal for 1 1/2" Piping (2.000" OD)							U200-125				
Pipe Seal for 1 1/2" Piping (2.000" OD)							U200-150				
Pipe Seal for 3" Piping (4.000" OD)								U300			
Pipe Seal for 2" Piping (3.005" OD)								U320			
Pipe Seal for Piping w/a 4.000" OD									U390		
Pipe Seal for 4" Piping (5.000" OD)									U400		
Pipe Seal for 4" x SDR35 Piping (5.000" OD)									U400-35		
Pipe Seal for 3" Piping (4.000" OD)									U430		
Pipe Seal for Piping w/a 5.000" OD										U490	
Pipe Seal for Piping w/a 6.000" OD											U590
Pipe Seal for 6" Piping (7.005" OD)											U600
Pipe Seal for 6" x SDR35 Piping (7.009" OD)											U600-35
Electric Cord Grommet, Seals up to 3 cords					UECG						

Limited Warranty

This limited warranty is issued by Topp Industries, Inc. to the original purchaser of its sump/sewage basins and accessories and is neither transferable to nor enforceable by any other person, corporation, entity other than the original purchaser. This limited warranty and all implied warranties are limited in duration to one (1) year from the date the sump/sewage basin and/or accessories are delivered. Some states do not allow limitations on how long an implied warranty lasts, so the above limitation may not apply to you.

Topp Industries, Inc. warrants that the sump/sewage basin and/or accessories manufactured and assembled by it are fit for underground application against fracture and collapse under normal use and service as specified by Topp Industries, Inc.; provided however, the remedies under this warranty shall encompass only the repairing or supplying a replacement part for a defective part and Topp Industries, Inc. specifically excludes any obligation for consequential or special damages or incidental expenses for breach of this warranty or any implied warranty. Some states do not allow the exclusion or limitation of incidental or consequential damages, so the above limitations or exclusions may not apply to you.

THE CONDITIONS FOR APPLICATION OF THIS WARRANTY ARE AS FOLLOWS:

1. That the sump/sewage basin be installed in a vertical position. Under no circumstances shall the bottom of the basin be installed deeper than the total depth of the basin. The basin must be installed with a minimum of 75% of the basin below finished grade.
2. That the basin be used in a wastewater/sewage application.
3. That normal use and service shall mean any application that does not exceed the conditions created by totally submerging the basin in saturated soil with a density of 120 pounds per cubic foot.
4. Backfill must be a suitable material, as defined in the Topp Industries, Inc. Installation Reference Guide, compacted to a minimum soil modulus of 700 pounds per square inch.

THIS LIMITED WARRANTY DOES NOT APPLY TO:

1. Items warranted separately by the manufacturer thereof, including, but not limited to submersible pumps and related fittings.
2. Defects or damage attributable to abuse, misuse, neglect or accident or other casualty following shipment by Topp Industries, Inc.
3. Damages resulting from errors in design specifications provided by the purchaser or its agents.
4. Damage due to improper handling or installation.
5. Normal wear and usage, or conditions resulting from normal wear or usage.

In the event of any fractured or collapsed sump/sewage basin and/or accessory claimed to be covered by the terms of this warranty, the claimant shall notify Topp Industries, Inc. within ten (10) days of its discovery and shall give Topp Industries, Inc. the opportunity to be present, through its agents or employees, before any alteration of the products and during the removal and inspection of the basin claimed to be defective and covered by this warranty. Topp Industries, Inc. will then, in the method it determines as its sole option to be necessary, repair or correct any such defect attributable to its manufacturing or assembly of the sump/sewage basin or accessory at its own cost and expense, exclusive of freight and any transportation costs.

There are no warranties, either expressed or implied, which extend beyond the description on the face hereof. This warranty gives you specific legal rights. You may also have other legal rights which may vary from state to state.

If you are in need of any additional information or assistance relating to matters covered by this Limited Warranty, contact Topp Industries, Inc. at 800-354-4534 or 574-223-3681, fax: 574-223-6106 or e-mail: toppindustries@toppindustries.com.



In 1988, Kevin Birchmeier had a vision of creating a quality product that consumers could not only trust, but rely on, for the best choice in economical and environmentally responsible sump, sewage and wastewater products. Getting its start out of a 500 square foot garage in Rochester, Indiana, TOPP Industries, Inc. was started from humble beginnings – and only a few employees.

Since that time, TOPP has grown to an internationally recognized brand with over 130 employees and over 300,000 square feet of manufacturing space.



Highway 25 North • Rochester, IN 46975
Phone: 574-223-3681 • Fax: 574-223-6106
Email: toppindustries@toppindustries.com

www.toppindustries.com
800-354-4534