

Crawl Space Sump Pump Basin



Product Number: E11-1100-PERF

Features Include:

- 12.5" X 15" perforated sump pump pit
- Includes 3 hole cover
- Made from structural foam material for a durable, lasting product
- Can be shipped via UPS

TOPP's **Crawl Space Sump Pump Basin** provides the best solution for waterproofing in the home. Custom designed and fitted for crawl space areas, it also is a perfect solution for dewatering under homes, basements or anywhere water may accumulate. Made from durable structural foam material, this basin is lightweight and made to last.

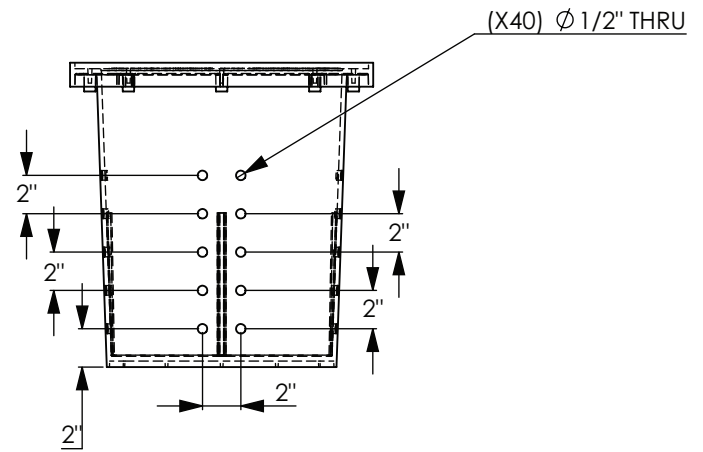
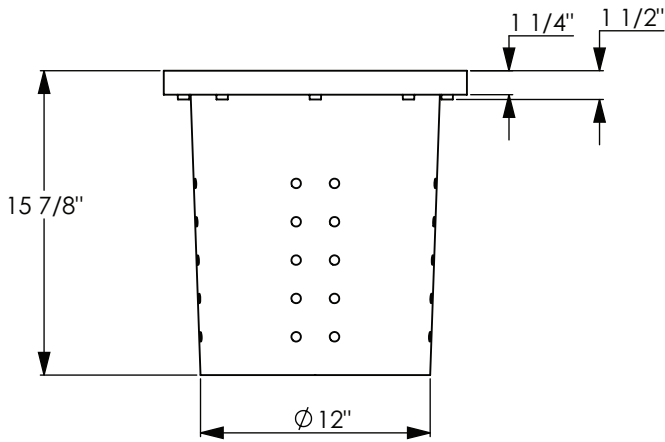
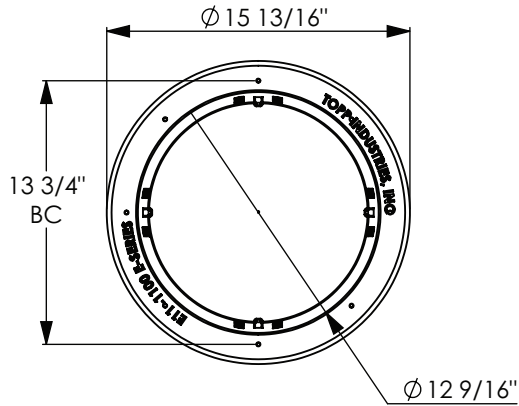
Specifications:

Capacity: 7.3 US Gallons
Weight: 6 Pounds

Included Cover:

E-C13SP: Structural Foam
Crawl Space Sump Pump
Basin Cover
Cover Weight: 1.5 Pounds

Basin Dimensional Data



Cover Dimensional Data

