

# E-Series “The Cube” Sump Basin

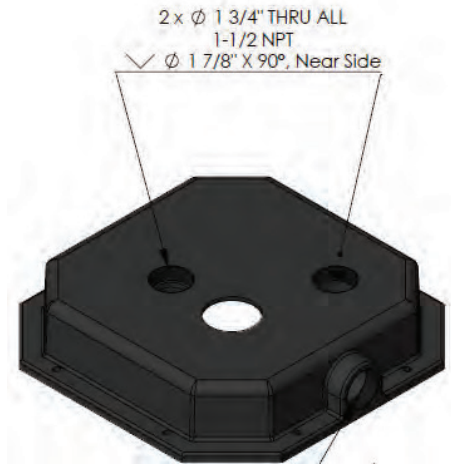
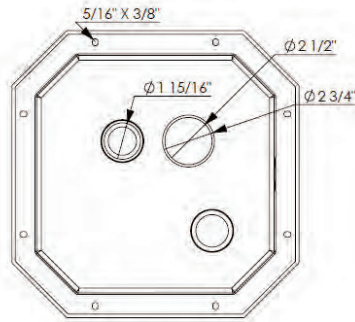
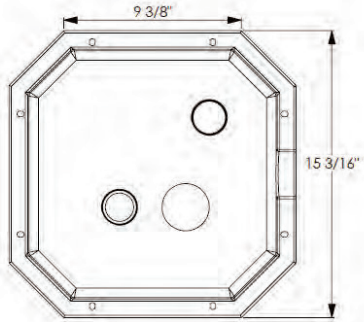


The **E-Series “The Cube” Sump Basin** from TOPP is constructed of durable, corrosion-resistant structural foam with a gas and water tight cover. This basin is the perfect solution to your home water handling needs for wet bars and laundry drainage, as well as for excess drainage from air conditioners, dehumidifiers and more. The distinctive cube shape of this basin provides an easy fit for whatever application is needed, without compromising space. Experienced plumbers and professional DIY’ers agree - this easy to install basin is the best choice for home utility needs.

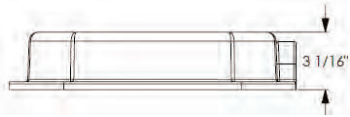
## “The Cube” Sump Basin Features Include:

- Large 6 gallon capacity
- Specially formed recessed hex under the basin cover flange for easier installation process & preventing spin-outs
- Unique honeycomb bottom design provides extra strength
- Bolt on gas and water tight cover
- Electric cord grommet can be ordered with 1, 2, or 3 cord holes
- Reusable rubber gasket seal with raised ridges providing an extra tight seal
- Stainless steel hardware – easily installs with phillips screw driver
- Lightweight design will ship UPS or common carrier

## E-Series "The Cube" Sump Basin Specs



- Molded in 1-1/2" NPT Threaded Inlet on the side of the cover



- Molded in 1-1/2" NPT Threaded Vent on top of the cover
- Molded in 1-1/2" NPT Threaded Discharge on top of the cover with a 1-1/2 slip fit molded in discharge fitting on the underside of the cover

