

TOPPFLOW

MADE IN AMERICA



Proudly MADE IN USA



Rochester, IN 46975 • (800) 354-4534 • www.toppindustries.com

Base Elbow System

1.25", 1.50", 2.00"



TOPP-BES-0125, TOPP-BES-0150 or TOPP-BES-0200

- Ductile Iron Construction
- Powder Coated for Corrosion Resistance
- Stainless Steel Accessories Standard
- Guide Rail Pins Designed to Accept 0.75" or 1.00" Rails
- Rated for Pumps Weighing Less than 250 lbs
- Shipping Weight 42 lbs.



TOPP-BES-0125 CV, TOPP-BES-0150 CV or TOPP-BES-0200 CV

- Includes Integral Check Valve in Pull-Out Flange
- Allows for Removal of Check Valve with Pump
- Ductile Iron Construction
- Powder Coated for Corrosion Resistance
- Stainless Steel Accessories Standard
- Guide Rail Pins Designed to Accept 0.75" or 1.00" Rails
- Rated for Pumps Weighing Less than 250 lbs
- Shipping Weight 47 lbs.

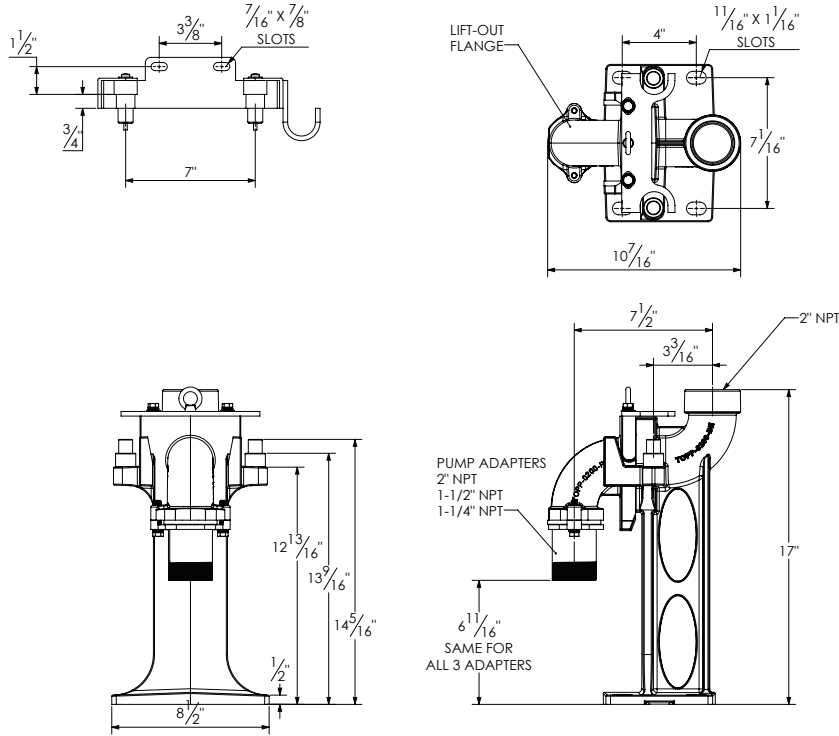


TOPP-BES-0125 EX, TOPP-BES-0150 EX or TOPP-BES-0200 EX

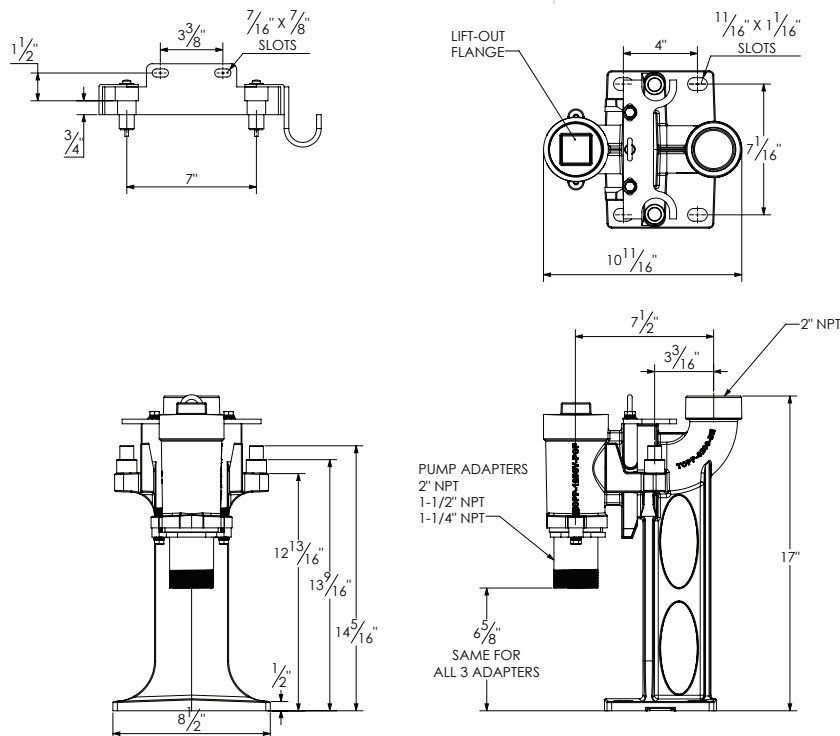
- Non-Sparking Design
- Bronze Pull-Out Flange
- Bronze Lower Guide Rail Plate
- Ductile Iron Construction
- Powder Coated for Corrosion Resistance
- Stainless Steel Accessories Standard
- Guide Rail Pins Designed to Accept 0.75" or 1.00" Rails
- Rated for Pumps Weighing Less than 250 lbs
- Shipping Weight 47 lbs.

Engineering Data

TOPP-BES-0125, TOPP-BES-0150 or TOPP-BES-0200



TOPP-BES-0125 CV, TOPP-BES-0150 CV or TOPP-BES-0200CV



3" Base Elbow Systems

TOPP-BES-0300 V, TOPP-BES-0300 VEX



- Designed for Vertical Discharge Pumps
- Ductile Iron Construction
- Powder Coated for Corrosion Resistance
- Guide Rail Pins Designed to Accept 0.75", 1.00", or 1.25" Rails
- Rated for Pumps Weighing Less than 400 lbs
- 3.00" Discharge
- BES-0320 V = 3.00" x 2.00" Pump Adapter Flange
- Shipping Weight 70 lbs.

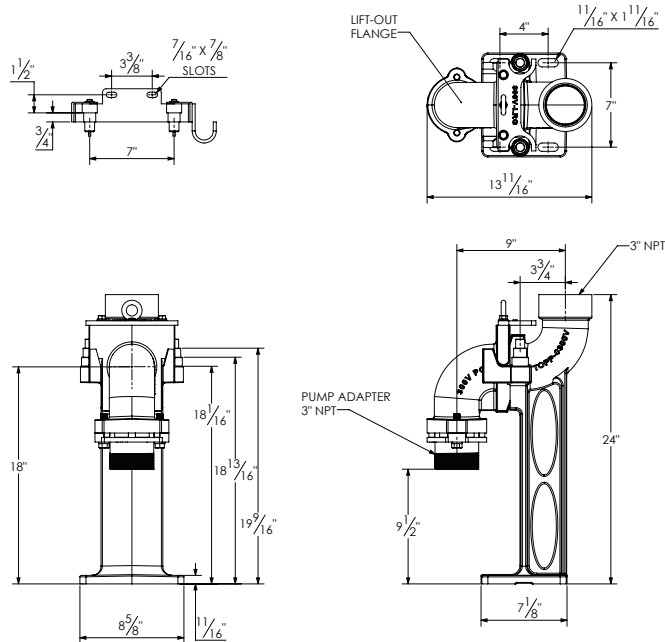
TOPP BES-0300 H, TOPP BES-0300 HEX



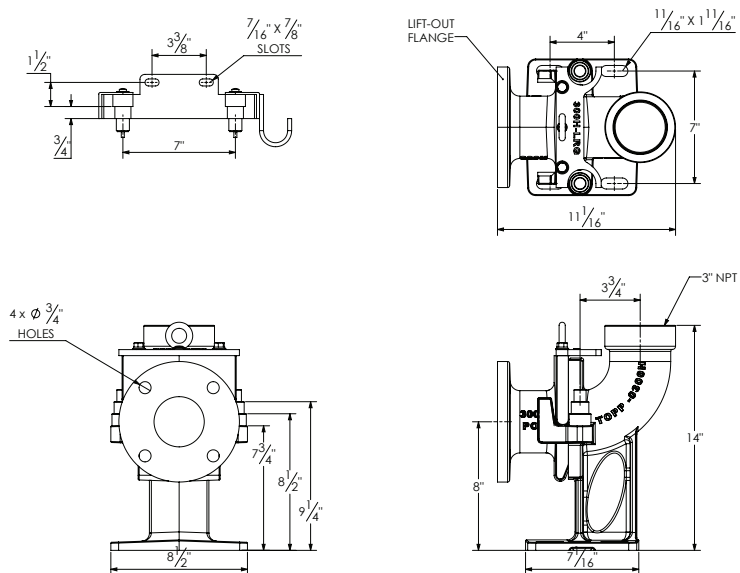
- Ductile Iron Construction
- Powder Coated for Corrosion Resistance
- Stainless Steel Accessories Standard
- Guide Rail Pins Designed to Accept 0.75", 1.00", or 1.25" Rails
- Rated for Pumps Weighing Less than 250 lbs
- 3.00" Discharge
- Shipping Weight 47 lbs.

Engineering Data

TOPP-BES-0300 V, TOPP-BES-0300 VEX



TOPP BES-0300 H, TOPP BES-0300 HEX



Base Elbow System 4.00", 6.00"

TOPP BES-0400



4" flanged discharge

- Guide rail pins designed to accept 1.50" or 2.00" rails
- Heavy duty rubber gasket available (alternate seal)
- Rated for pumps weighing less than 2,000 lbs
- BES-0430 = 4.00" x 3.00" Pull-Out Flange
- Shipping Weight 136 lbs.

TOPP BES-0600, TOPP BES-0640

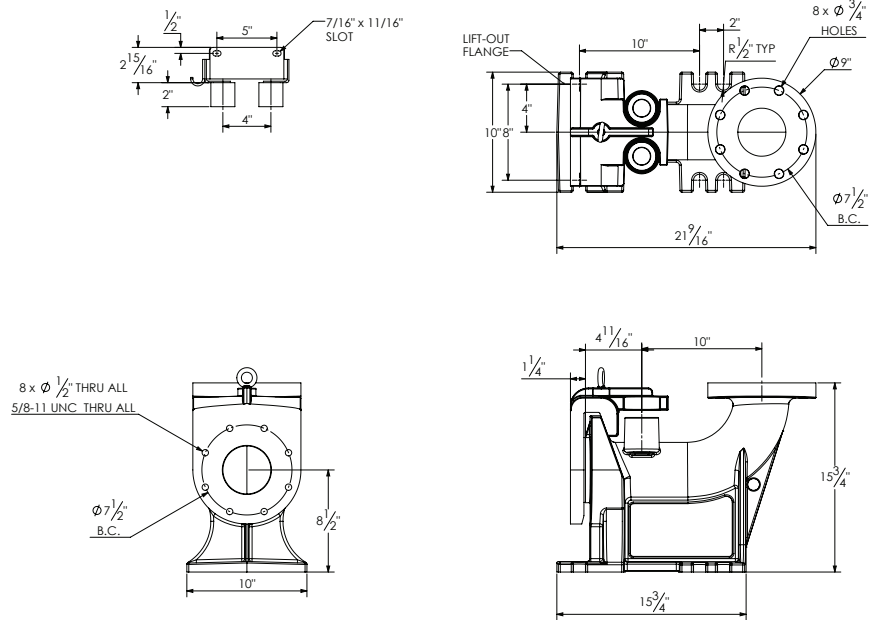


6" flanged discharge

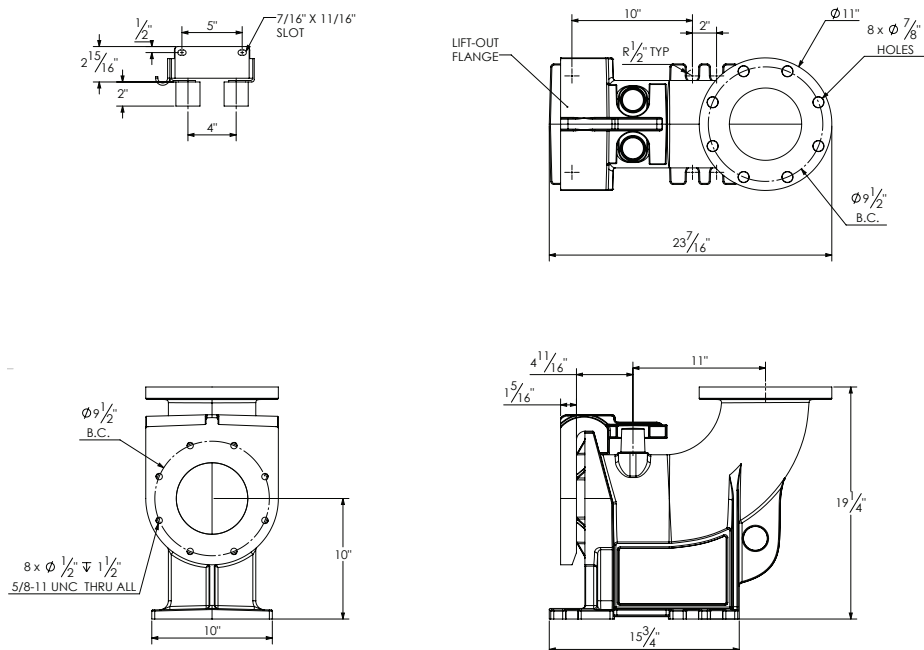
- Guide rail pins designed to accept 2.50" or 2.00" rails
- Heavy duty rubber gasket available (alternate seal)
- Rated for pumps weighing less than 2,000 lbs
- BES-0640 = 6.00" x 4.00" Pull-Out Flange
- Shipping Weight 185 lbs.
- Please add SP-600 for Flygt compatibility

Engineering Data

TOPP BES-0400, TOPP BES-0430



TOPP BES-0600, TOPP BES-0640



8" Base Elbow System

8" Base Elbow Systems

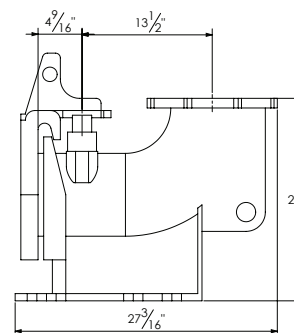
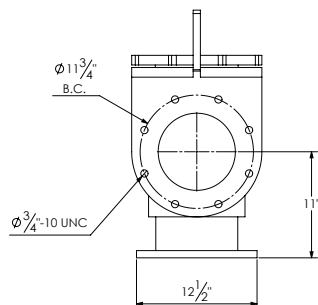
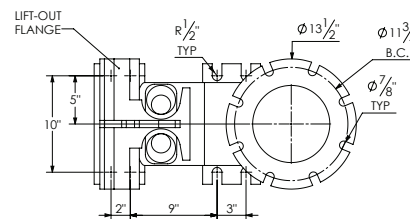
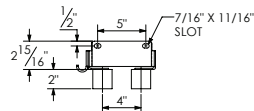


8" flanged discharge

- Guide rail pins designed to accept 2.00" or 3.00" rails
- Rated for pumps weighing less than 4,000 lbs
- BES-0860 = 8.00" x 6.00" Pull-Out Flange
- Shipping Weight 310 lbs.

Engineering Data

8" Base Elbow Systems

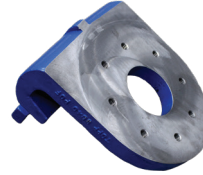


Replacement Flanges & Accessories



Item	Description
TOPP POF-0125	Pull-Out Flange For 1.25" Elbow (includes PAF)
TOPP POF-0125 CV	CV Pull-Out Flange For 1.25" Check Valve Elbow (includes PAF)
TOPP POF-0125 EX	Pull-Out Flange For 1.25" Bronze Non-Sparking Elbow (includes PAF)
TOPP POF-0150	Pull-Out Flange For 1.50" Elbow (includes PAF)
TOPP POF-0150 CV	Pull-Out Flange For 1.50" Check Valve Elbow (includes PAF)
TOPP POF-0150 EX	Pull-Out Flange For 1.50" Bronze Non-Sparking Elbow (includes PAF)
TOPP POF-0200	Pull-Out Flange For 2.00" Elbow (includes PAF)
TOPP POF-0200 CV	Pull-Out Flange For 2.00" Check Valve Elbow (includes PAF)
TOPP POF-0200 CV EX	Pull-Out Flange For 2.00" Bronze Non-Sparking Elbow (includes PAF)
TOPP POF-0300 H	Pull-Out Flange For 3.00" Horizontal Elbow
TOPP POF-0300 HEX	Pull-Out Flange For 3.00" Bronze Non-Sparking Horizontal Elbow
TOPP POF-0325 H	Pull-Out Flange For 3.00" X 2.50" Horizontal Elbow
TOPP POF-0325 HEX	Pull-Out Flange For 3.00" X 2.50" Non-Sparking Horizontal Elbow
TOPP POF-0300 V	Pull-Out Flange For 3.00" Vertical Elbow (includes PAF)
TOPP POF-0300 VEX	Pull-Out Flange For 3.00" Non-Sparking Vertical Elbow (includes PAF)
TOPP POF-0320 V	Pull-Out Flange For 3.00" X 2.00" Vertical Elbow (includes PAF)
TOPP POF-0320 VEX	Pull-Out Flange For 3.00" X 2.00" Non-Sparking Vertical Elbow (includes PAF)
TOPP POF-0320 V	Pull-Out Flange For 3.00" X 2.00" Vertical Elbow (includes PAF)
TOPP POF-0320 VEX	Pull-Out Flange For 3.00" X 2.00" Non-Sparking Vertical Elbow (includes PAF)
TOPP PAF-0125	1.25" SS Pump Adapter Flange
TOPP PAF-0150	1.50" SS Pump Adapter Flange
TOPP PAF-0200	2.00" SS Pump Adapter Flange
TOPP PAF-0300	3.00" SS Pump Adapter Flange
TOPP PAF-0320	3.00" X 2.00" SS Pump Adapter Flange
TOPP UGB-STNLS	SS Upper Guide Bracket For Rail Sizes 0.75", 1.00", 1.25"
TOPP UGB-PC	Powder Coated Steel Upper Guide Bracket
TOPP IGB-0075	SS Intermediate Guide Bracket For 0.75" Rail
TOPP IGB-0100	304 SST Intermediate Guide Bracket For 1.00" Rail
TOPP IGB-0125	304 SST Intermediate Guide Bracket For 1.25" Rail
TOPP LGRP-0200	304 SST Lower Guide Plate For Elbows 1.25"-2.00" Discharge
TOPP LGRP-0300	SS Lower Guide Plate For Elbows 3.00" Discharge
TOPP O-Ring-0200	O-Ring Set For 1.25"-2.00" Elbows
TOPP O-Ring-0300	O-Ring Set For 3.00" Vertical Elbows
TOPP POK-0300	Hardware & Gasket Kit For 3.00" Horizontal Elbows
TOPP POK-0325	Hardware & Gasket Kit For 3.25" Horizontal Elbows

Replacement Flanges & Accessories



Item	Description
TOPP POF-0400	Pull-Out Flange For 4.00" Elbow
TOPP POF-4300	Pull-Out Flange For 4.00" X 3.00" Elbow
TOPP POF-0400 HEX	Pull-Out Flange For 4.00" Non-Sparking Elbow
TOPP POF-4300 HEX	Pull-Out Flange For 4.00" X 3.00" Non-Sparking Elbow
TOPP POF-0600*	Pull-Out Flange For 6.00" Elbow (*Add SP-0600-F for FLYGT Systems)
TOPP POF-0640*	Pull-Out Flange For 6.00" X 4.00" Elbow (*Add SP-0600-F for FLYGT Systems)
TOPP POF-0600 HEX*	Pull-Out Flange For 6.00" Non-Sparking Elbow (*Add SP-0600-Bronze for FLYGT Systems)
TOPP POF-0640 HEX*	Pull-Out Flange For 6.00" X 4.00" Non-Sparking Elbow (*Add SP-0600-Bronze for FLYGT Systems)
TOPP POF-0800	Pull-Out Flange For 8.00" Elbow
TOPP POF-0860	Pull-Out Flange For 8.00" X 6.00" Elbow
TOPP POF-0860 HEX	Pull-Out Flange For 8.00" Non-Sparking Elbow
TOPP SP-0600-F	Sealing Ring for FLYGT Compatibility
TOPP SP-0600-Bronze	Bronze Sealing Ring for FLYGT Compatibility
TOPP UGB-0150	SS Upper Guide Bracket For 1.50" Rail
TOPP UGB-0200	SS Upper Guide Bracket For 2.00" Rail
TOPP UGB-0200-8	SS Upper Guide Bracket For 2.00" Rail for TOPP BES-0800
TOPP UGB-0300	SS Upper Guide Bracket For 3.00" Rail
TOPP UGB-0150/0200 REP KIT	Replacement Hardware For TOPP UGB-0150/ TOPP UGB-0200.
TOPP IGB-0200-4"	SS Intermediate Guide Bracket For 4.00" Discharge
TOPP IGB-0200-6"	SS Intermediate Guide Bracket For 6.00" Discharge
TOPP IGB-0200-8"	SS Intermediate Guide Bracket For 8.00" Discharge
TOPP POK-0400	Hardware & Gasket Kit For 4.00" Elbows
TOPP POK-0600	Hardware & Gasket Kit For 6.00" Elbows
TOPP FG-0400	Full Gasket For 4.00" Elbow
TOPP FG-0600	Full Gasket For 6.00" Elbow
TOPP SR-0400	Stainless Sealing Ring For 4.00" Elbow
TOPP Wedge 1/4	Wedge Anchor - 1/4" x 21/4", 304 SST - Use with Float Brackets and UGBs
TOPP Wedge 3/8	Wedge Anchor - 3/8" x 23/4", 304 SST - Use with BES-0125 - BES-0200
TOPP Wedge 1/2	Wedge Anchor - 1/2" x 23/4", 304 SST - Use with BES-0300 - BES-0400
TOPP Wedge 3/4	Wedge Anchor - 3/4" x 43/4", 304 SST - Use with BES-0600 - BES-0800
TOPP EZR-LGRP	SS Lower Guide Rail Plate for 1.25" - 3.00" Systems

Float Brackets

FLOAT BRACKETS

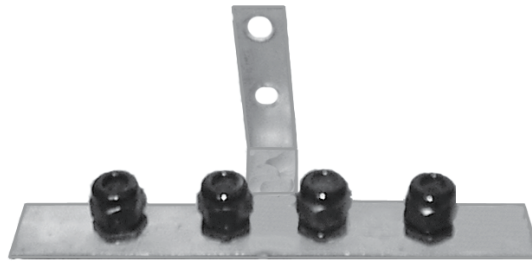
SSFB-3

SSFB-4

SSFB-6

TOPP-1HB- 75lb. Max

GRIP050



Chain, Cable & Accessories

Custom Chain Kits

Item	Length (ft)	Description
CHNSS-04	4'	3/16" 304 Stainless Steel Chain with Shackles and Pump Connectors
CHNSS-08	8'	3/16" 304 Stainless Steel Chain with Shackles and Pump Connectors
CHNSS-10	10'	3/16" 304 Stainless Steel Chain with Shackles and Pump Connectors
CHNSS-20	20'	3/16" 304 Stainless Steel Chain with Shackles and Pump Connectors
CHNSS-30	30'	3/16" 304 Stainless Steel Chain with Shackles and Pump Connectors



Stainless Steel Chain- Drum

Item	Size
CHNSS-DRUM	3/8"
CHNSS-DRUM	5/16"
CHNSS-DRUM	5/8"



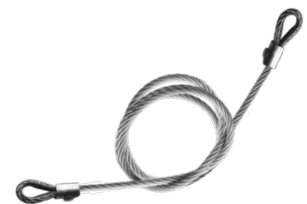
Stainless Steel Shackles

Item	Size	SWL (lbs)	Wgt/ft (lbs)
SHK03-165	5/16"	1,500	0.15
SHK06-165	3/8"	2,000	0.31
SHK05-85	5/8"	6,900	1.26



Stainless Steel Lifting Cables

Item	Length	Description
SSLC-04	4'	3/16" 304 Stainless Steel Lifting Cable with Shackles and Pump
SSLC-08	8'	3/16" 304 Stainless Steel Lifting Cable with Shackles and Pump
SSLC-10	10'	3/16" 304 Stainless Steel Lifting Cable with Shackles and Pump
SSLC-20	20'	3/16" 304 Stainless Steel Lifting Cable with Shackles and Pump
SSLC-30	30'	3/16" 304 Stainless Steel Lifting Cable with Shackles and Pump



Gate Valves, Handles, Ball Check Valves, Green Vents, Threaded Couplings

Brass Gate Valves

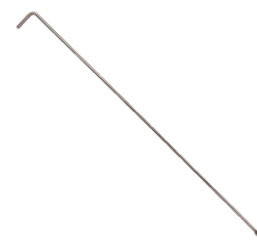
- Brass Body
- Full port design

Item	Size	Description
16-0300	1.25	Brass Gate Valve
16-0301	1.50"	Brass Gate Valve
16-0302	2.00"	Brass Gate Valve



Extension Valve Handles

Item	Size	Description
SSVH-125	1.25"	Stainless Steel Threaded Removal Handle
SSVH-150	1.50"	Stainless Steel Threaded Removal Handle
SSVH-200	2.00"	Stainless Steel Threaded Removal Handle



Cast Iron Ball Check Valves

Item	Size	Description
BCV-125	1.25"	Ball Check Valves With Tabs
BCV-200	2.00"	Ball Check Valves With Tabs



Tank Vents

Item	Size	Description
GV200S	2"	Powder Coated for Corrosion Resistance
GV300S/GV300	3"	Powder Coated for Corrosion Resistance
GV400S/GV400	4"	Powder Coated for Corrosion Resistance
GV600S/GV600	6"	Powder Coated for Corrosion Resistance



Threaded Couplings

Item	Description
C125FG	1-1/4" NPT Composite Bolt-on Coupling+
C150FG	1-1/2" NPT Composite Bolt-on Coupling+
C200FG	2" NPT Composite Coupling+
C125E	1-1/4" NPT Industrial Enameled Steel Bolt-on Coupling+
C125E	1-1/2" NPT Industrial Enameled Steel Bolt-on Coupling+
C150E	2" NPT Industrial Enameled Steel Bolt-on Coupling+
C200E	3" NPT Industrial Enameled Steel Bolt-on Coupling+
C300E	4" NPT Industrial Enameled Steel Bolt-on Coupling+
C400E	1-1/4" NPT Stainless Steel Bolt-on Coupling+
C125S	1-1/2" NPT Stainless Steel Bolt-on Coupling+
C150S	2" NPT Stainless Steel Bolt-on Coupling+
C200S	3" NPT Stainless Steel Bolt-on Coupling+
C300S	4" NPT Stainless Steel Bolt-on Coupling+
PC-0125SM	Nylon Electrical Threaded Couplings
PC-0125LG	Nylon Electrical Threaded Couplings
PC-0125SM	Nylon Electrical Threaded Couplings
PC-0150SM	Nylon Electrical Threaded Couplings
PC-0150LG	Nylon Electrical Threaded Couplings
PC-0200SM	Nylon Electrical Threaded Couplings
PC-0200LG	Nylon Electrical Threaded Couplings

+ Includes hardware pack (bolts, washers and gasket tape)



Limited Warranty

This limited warranty is issued by Topp Industries, Inc. to the original purchaser of its sump/sewage basins and accessories and is neither transferable to nor enforceable by any other person, corporation, entity other than the original purchaser. This limited warranty and all implied warranties are limited in duration to one (1) year from the date the sump/sewage basin and/or accessories are delivered. Some states do not allow limitations on how long an implied warranty lasts, so the above limitation may not apply to you.

Topp Industries, Inc. warrants that the sump/sewage basin and/or accessories manufactured and assembled by it are fit for underground application against fracture and collapse under normal use and service as specified by Topp Industries, Inc.; provided however, the remedies under this warranty shall encompass only the repairing or supplying a replacement part for a defective part and Topp Industries, Inc. specifically excludes any obligation for consequential or special damages or incidental expenses for breach of this warranty or any implied warranty. Some states do not allow the exclusion or limitation of incidental or consequential damages, so the above limitations or exclusions may not apply to you.

THIS LIMITED WARRANTY DOES NOT APPLY TO:

1. Items warranted separately by the manufacturer thereof, including, but not limited to submersible pumps and related fittings.
2. Defects or damage attributable to abuse, misuse, neglect or accident or other casualty following shipment by Topp Industries, Inc.
3. Damages resulting from errors in design specifications provided by the purchaser or its agents.
4. Damage due to improper handling or installation.
5. Normal wear and usage, or conditions resulting from normal wear or usage.

In the event of any fractured or collapsed sump/sewage basin and/or accessory claimed to be covered by the terms of this warranty, the claimant shall notify Topp Industries, Inc. within ten (10) days of its discovery and shall give Topp Industries, Inc. the opportunity to be present, through its agents or employees, before any alteration of the products and during the removal and inspection of the basin claimed to be defective and covered by this warranty. Topp Industries, Inc. will then, in the method it determines as its sole option to be necessary, repair or correct any such defect attributable to its manufacturing or assembly of the sump/sewage basin or accessory at its own cost and expense, exclusive of freight and any transportation costs.

There are no warranties, either expressed or implied, which extend beyond the description on the face hereof. This warranty gives you specific legal rights. You may also have other legal rights which may vary from state to state.

If you are in need of any additional information or assistance relating to matters covered by this Limited Warranty, contact Topp Industries, Inc. at 800-354-4534 or 574-223-3681, fax: 574-223-6106 or e-mail: toppindustries@toppindustries.com.

PAYMENT TERMS

Terms and conditions of payment will show on invoices at the time of shipment or as may be otherwise stated in writing by an officer of Topp Industries, Inc. Topp Industries, Inc. reserves the right to add a finance charge on all past due accounts. If a finance charge is added, it will be at the rate of 1-1/2% monthly, 18% annually.

ORDERS

All orders taken by Topp Industries, Inc. representatives are subject to acceptance and approval by Topp Industries, Inc. in Rochester, IN. Orders entered directly to Topp Industries, Inc. are subject to the same acceptance and approval. Orders that include "custom" specifications must have all specifications provided in writing at the time the order is entered.

PACKAGING

Equipment will be packaged or boxed in accordance with Topp Industries, Inc. standard policies and in such a way as to protect the equipment during shipment. Any "special" packaging requests can be made directly to Topp Industries, Inc. and may or may not require an additional charge.

FREIGHT & SHIPMENT POLICY

Promised ship dates are approximate and in no way affect the terms of the sale unless otherwise stated in writing by an officer of Topp Industries, Inc. Requests for specific shipping methods or carriers can be made directly to Topp Industries, Inc. on collect shipments. On full freight allowed shipments Topp Industries, Inc. reserves the right to choose shipping methods and carriers.

WARRANTY

See LIMITED WARRANTY

CLAIMS

No claims for allowances shall be considered unless presented immediately upon the receipt of goods; nor will Topp Industries, Inc. be held responsible for breakage or shortage after equipment is delivered and accepted by the carrier. All claims are subject to the terms and conditions of Topp Industries, Inc. Limited Warranty.

RETURNS

Equipment can be returned for credit only after receiving written authorization and RGA number (return goods authorization number) from Topp Industries, Inc. All equipment must carry the RGA number to be accepted by Topp Industries, Inc. All returned equipment is subject to a 35% restocking fee. "Custom" orders or stock equipment that has been modified (e.g. inlet hole cut) cannot be returned.



In 1988, Kevin Birchmeier had a vision of creating a quality product that consumers could not only trust, but rely on, for the best choice in economical and environmentally responsible sump, sewage and wastewater products. Getting its start out of a 500 square foot garage in Rochester, Indiana, TOPP Industries, Inc. was started from humble beginnings – and only a few employees. Since that time, TOPP has grown to an internationally recognized brand with over 130 employees and over 300,000 square feet of manufacturing space.



Highway 25 North • Rochester, IN 46975
Phone: 574-223-3681 • Fax: 574-223-6106
Email: toppindustries@toppindustries.com

www.toppindustries.com
800-354-4534